



Login

Register



Free Electronic Circuits, Diagrams,
Schematics and Projects.

SEARCH

Free Electronic Circuits diagrams Schematics Projects / Inside Circuits / **View**

Low Noise Moving Coil Audio Preamp

0

Hosted circuit

[Audiophile Phono Preamp](#) www.phonopreamps.com

Super quiet, 85dB S/N; only \$43.50 Available in silver or black finish

[QVS TECH VCXO's](#) www.qvstech.com

Fast delivery of Lead Free, Crystals, XO, VCXO, TCXO and OCXO

[Audio Amplifier Schematic](#) www.globalspec.com

Search Thousands of Catalogs for Audio Amplifier Schematic

[PCB Piezotronics](#) www.pcb.com/TM_Acoustics

Microphones and Acoustic Sensors for Test & Measurement

AdChoices

[High End Amplifiers](#) www.513electronics.com/HighEndAmps

Listen to the "Best in Breed" Amps Free Shipping Promotion

[Printed Circuit Boards](#) www.cirexx.com

Flex Circuit / Rigid-Flex Boards Manufacturing PCB Services

[AT2K 2000W Antenna Tuner](#) www.palstar.com

Customers say: "Quality built tuner worth every penny." Top Engineering

[Special Summer Offer](#) www.cuflex.com

Flexible Circuit Prototypes \$900.00 limited time only. Made in USA.

AdChoices

This circuit is also Crossed to: [Preamp](#) [Preamp](#) [Preamp](#)

This preamplifier was designed for low resistance sources like moving coil heads (MC). The circuit uses in parallel three duple transistors SSM2220 or MAT03 and by forming a diferential amplifier keeps noise low. Connecting this amplifier in front of a OP27 amp we gain even lower noise. Also the reason we use PNP rather NPN transistors is because they have les low frequency noise.

New Circuits

[Passive subwoofer filter](#)

[Light to Frequency Converter TSL220](#)

[Differential A/D Converter circuit CA3110](#)

[1W Linear FM Booster](#)

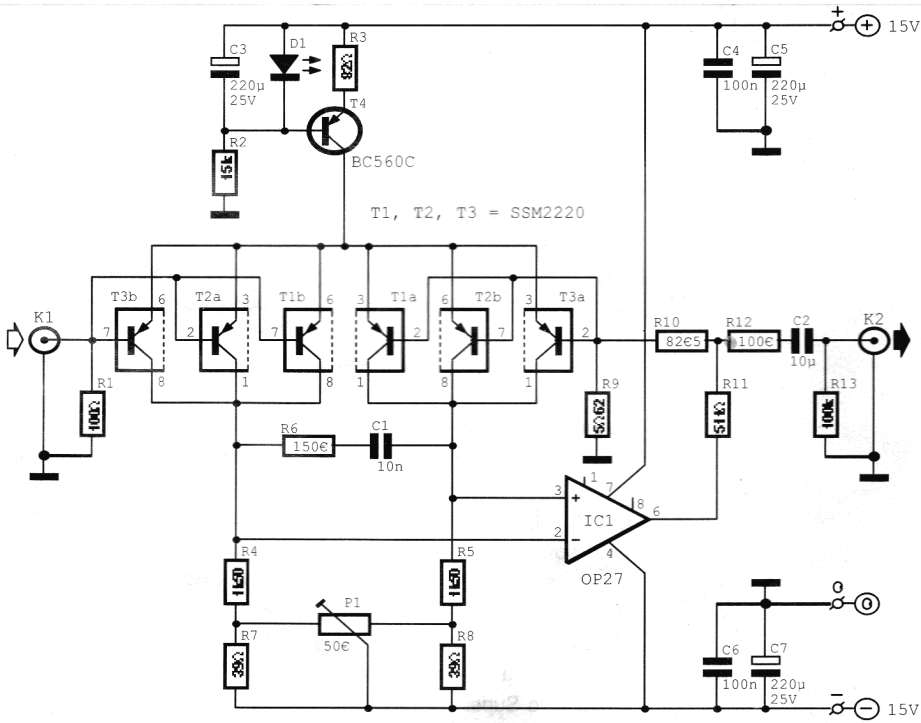
[Magnetic Cartridge Preamplifier \(LT1028CN8\)](#)

Main Categories

[Audio](#)
[Automations](#)
[Automotive](#)
[Computer](#)
[Converters](#)
[Digital Circuits](#)
[Inside Circuits](#)
[Light-Laser-LED](#)
[Meter/Counter](#)
[Microcontrollers](#)
[Oscillators](#)
[Other Circuits](#)
[Power Supplies](#)
[RF\(Radio Frequency\)](#)
[Security](#)
[Sensors/Detectors](#)
[Software](#)
[Telephone](#)
[Video](#)

Quaries

[use of ic in time delay relay](#)
[ATMEGA](#)
[Propeller Clock magnet motor](#)
[FLYBACK HIGH VOLTAGE](#)
[free energy](#)
[tda 2030](#)
[bfo and 6=5](#)



Trimmer P1 and resistors R7/R8 equalize the rates or R4 and R5 of differential amplifier's output. The transistor T4 and LED D1 are the power feed of amplifier. But the use of a LED in this position is better thermal spreading.

Comments

Comment Author:

Author Email:

1000 characters left

Leave Comment

Rating

Rating: 0.00 / 10 (0 Vote cast)

[Account Register](#) | [Terms of Use](#) | [Disclaimer](#) | [Contact Us](#) | [RSS-Index](#)

© 2011 Next.gr