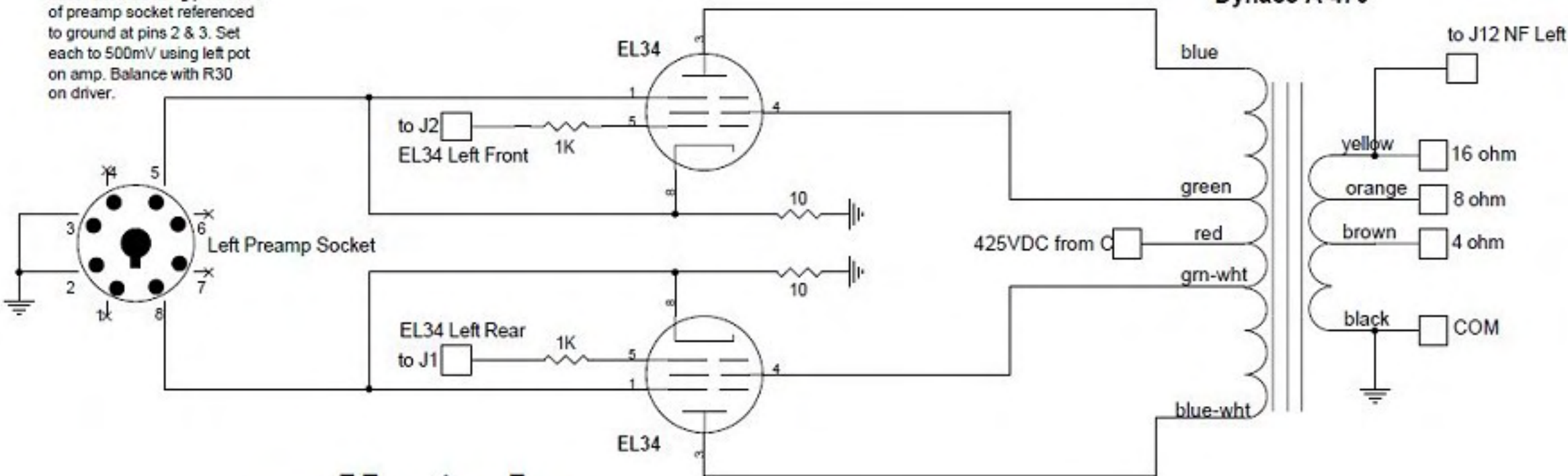


diytube

ST70 Driver Board

Note: Set bias using pins 5 & 8 of preamp socket referenced to ground at pins 2 & 3. Set each to 500mV using left pot on amp. Balance with R30 on driver.

Dynaco A-470

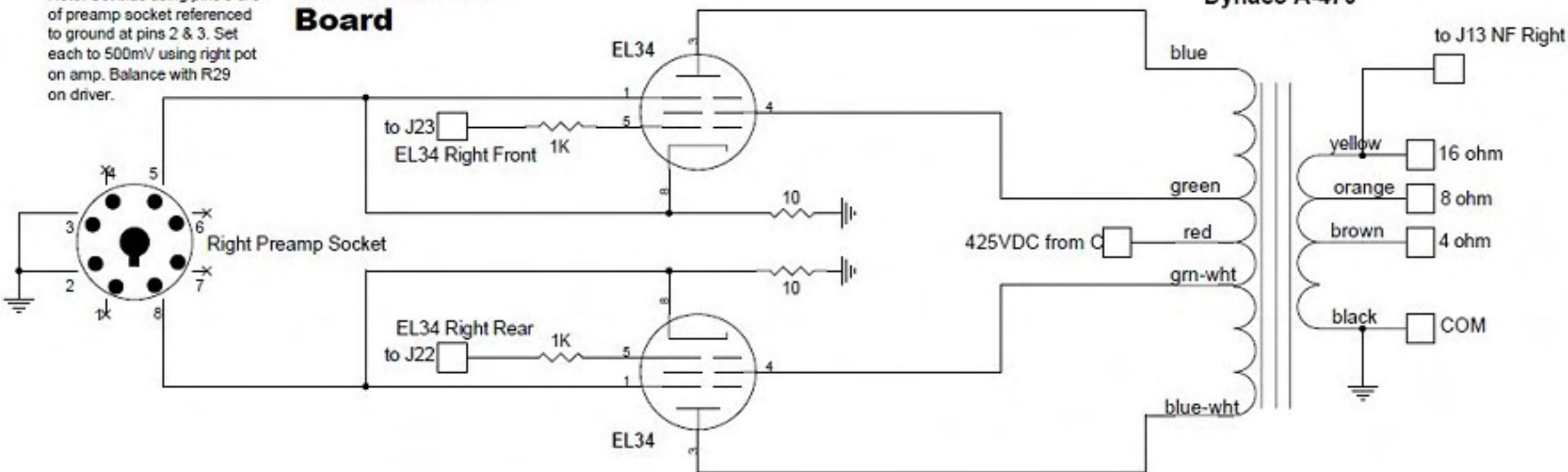


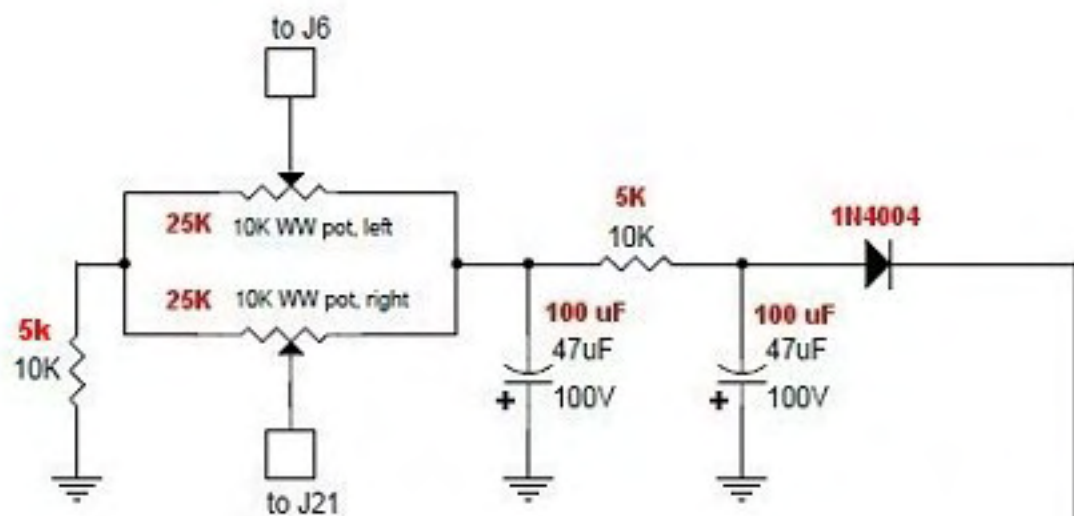
diytube

ST70 Driver Board

Note: Set bias using pins 5 & 8 of preamp socket referenced to ground at pins 2 & 3. Set each to 500mV using right pot on amp. Balance with R29 on driver.

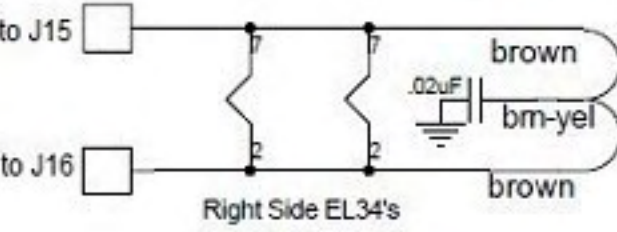
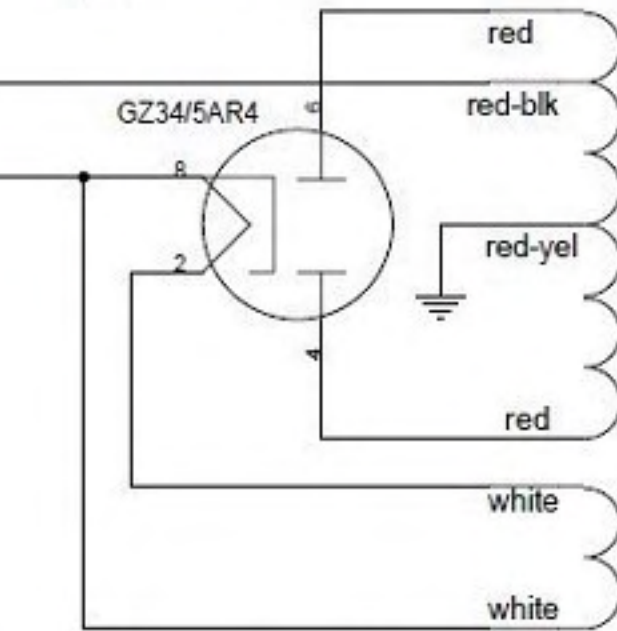
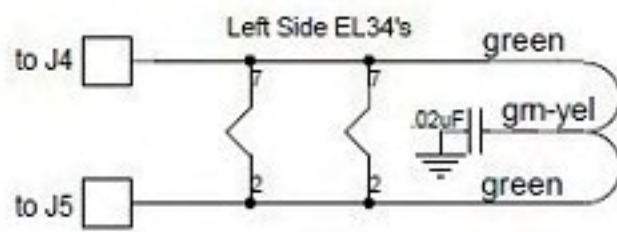
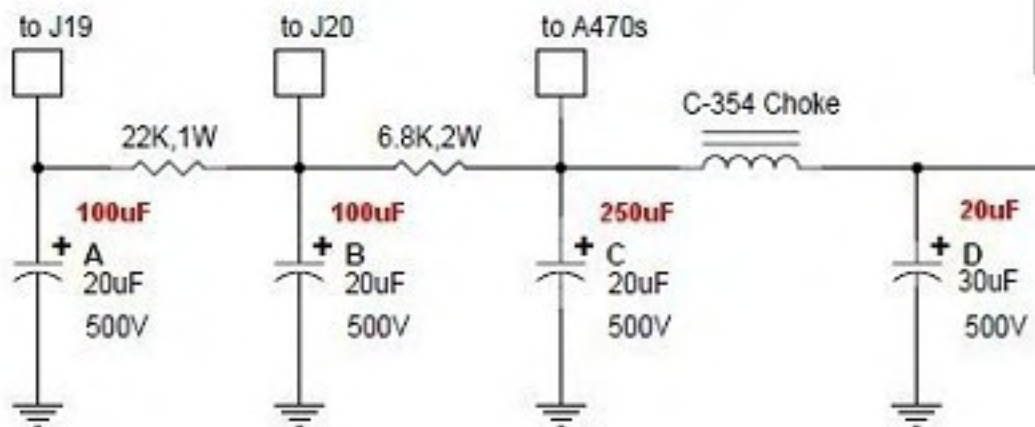
Dynaco A-470





diytube

ST70 Driver Board



Dynaco PA-060

