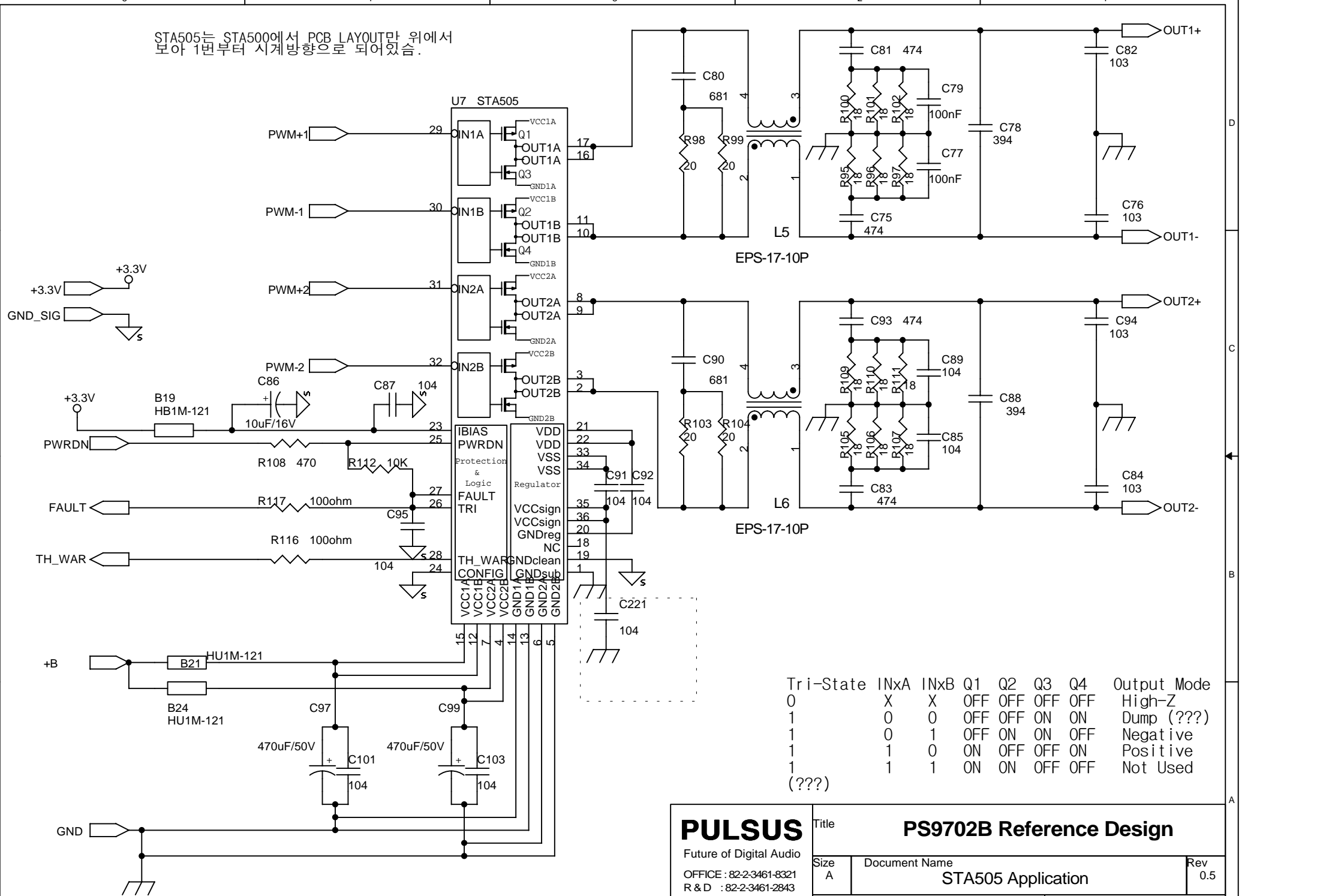


PULSUS Future of Digital Audio OFFICE : 82-2-3461-8321 R & D : 82-2-3461-2843 FAX : 82-2-3461-4469		Title PS9702B Reference Design	
		Size A	Document Name PS9702B_EVB +STA505
Date: Saturday, August 24, 2002		Sheet 1 of 6	Rev 0.5

STA505는 STA500에서 PCB LAYOUT만 위에서 보아 1번부터 시계방향으로 되어있습.

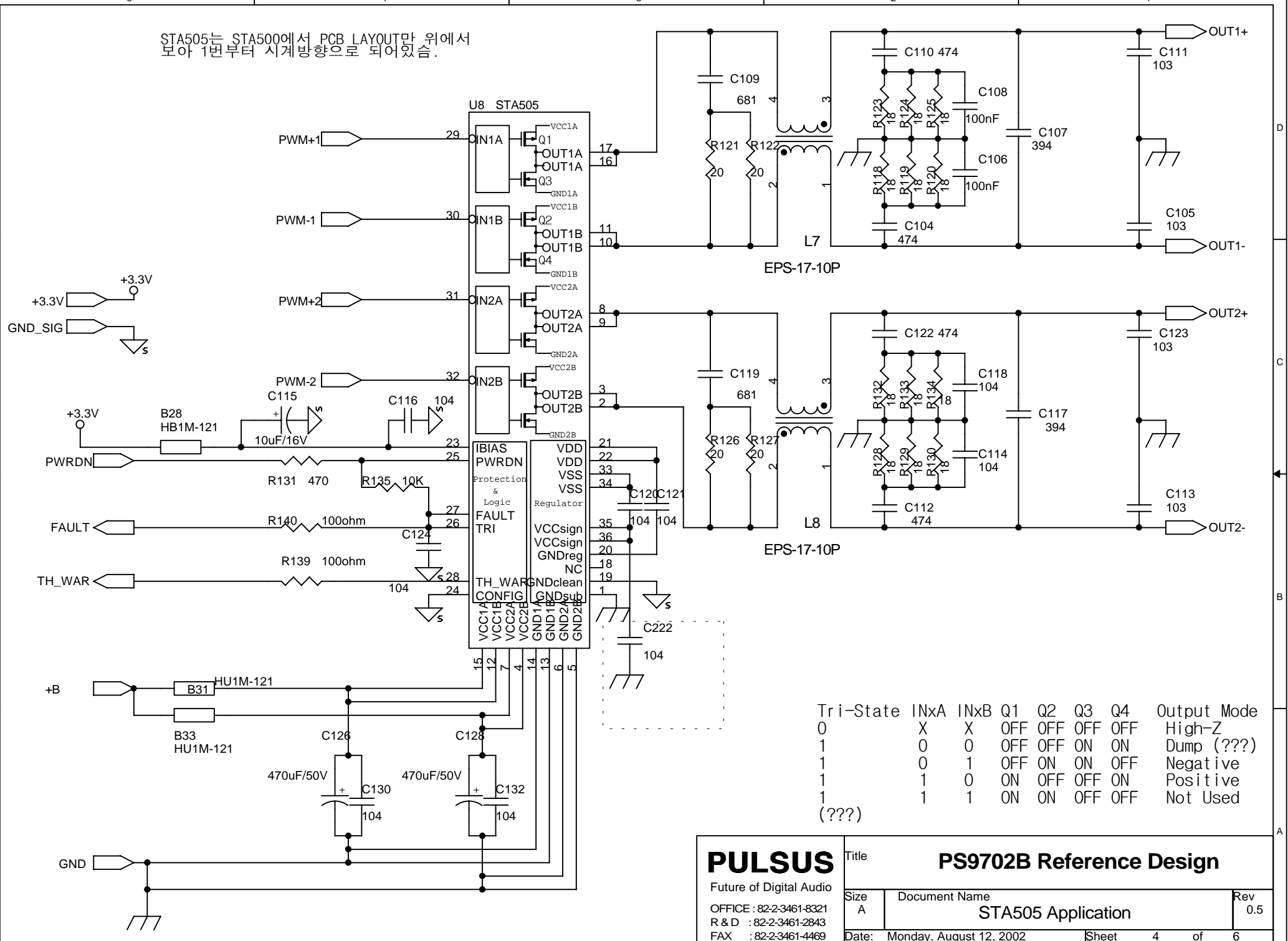


Tri-State	INxA	INxB	Q1	Q2	Q3	Q4	Output Mode
0	X	X	OFF	OFF	OFF	OFF	High-Z
1	0	0	OFF	OFF	ON	ON	Dump (???)
1	0	1	OFF	ON	ON	OFF	Negative
1	1	0	ON	OFF	OFF	ON	Positive
1	1	1	ON	ON	OFF	OFF	Not Used

(???)

PULSUS Future of Digital Audio		Title: PS9702B Reference Design	
		Size: A	Document Name: STA505 Application
OFFICE : 82-2-3461-8321 R & D : 82-2-3461-2843 FAX : 82-2-3461-4469		Date: Monday, August 12, 2002	Rev: 0.5
		Sheet: 3	of: 6

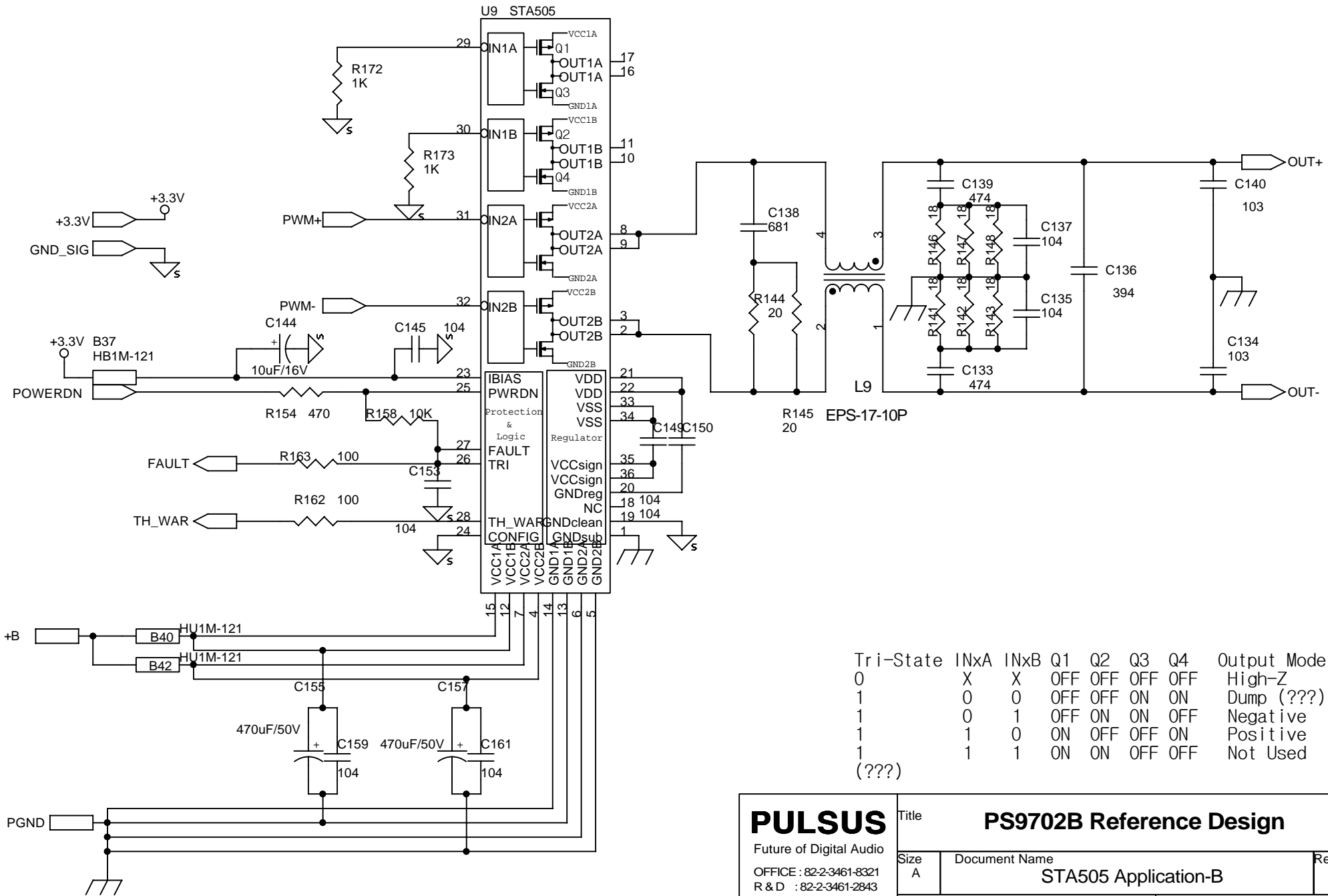
STA505는 STA500에서 PCB LAYOUT만 위에서
보아 1번부터 시계방향으로 되어있습.



Tri-State	INxA	INxB	Q1	Q2	Q3	Q4	Output Mode
0	X	X	OFF	OFF	OFF	OFF	High-Z
1	0	0	OFF	OFF	ON	ON	Dump (???)
1	0	1	OFF	ON	ON	OFF	Negative
1	1	0	ON	OFF	OFF	ON	Positive
1	1	1	ON	ON	OFF	OFF	Not Used

PULSUS Future of Digital Audio OFFICE : 82-2-3461-8321 R & D : 82-2-3461-2843 FAX : 82-2-3461-4469		Title PS9702B Reference Design	
		Size A	Document Name STA505 Application
Date: Monday, August 12, 2002		Sheet 4 of 6	1

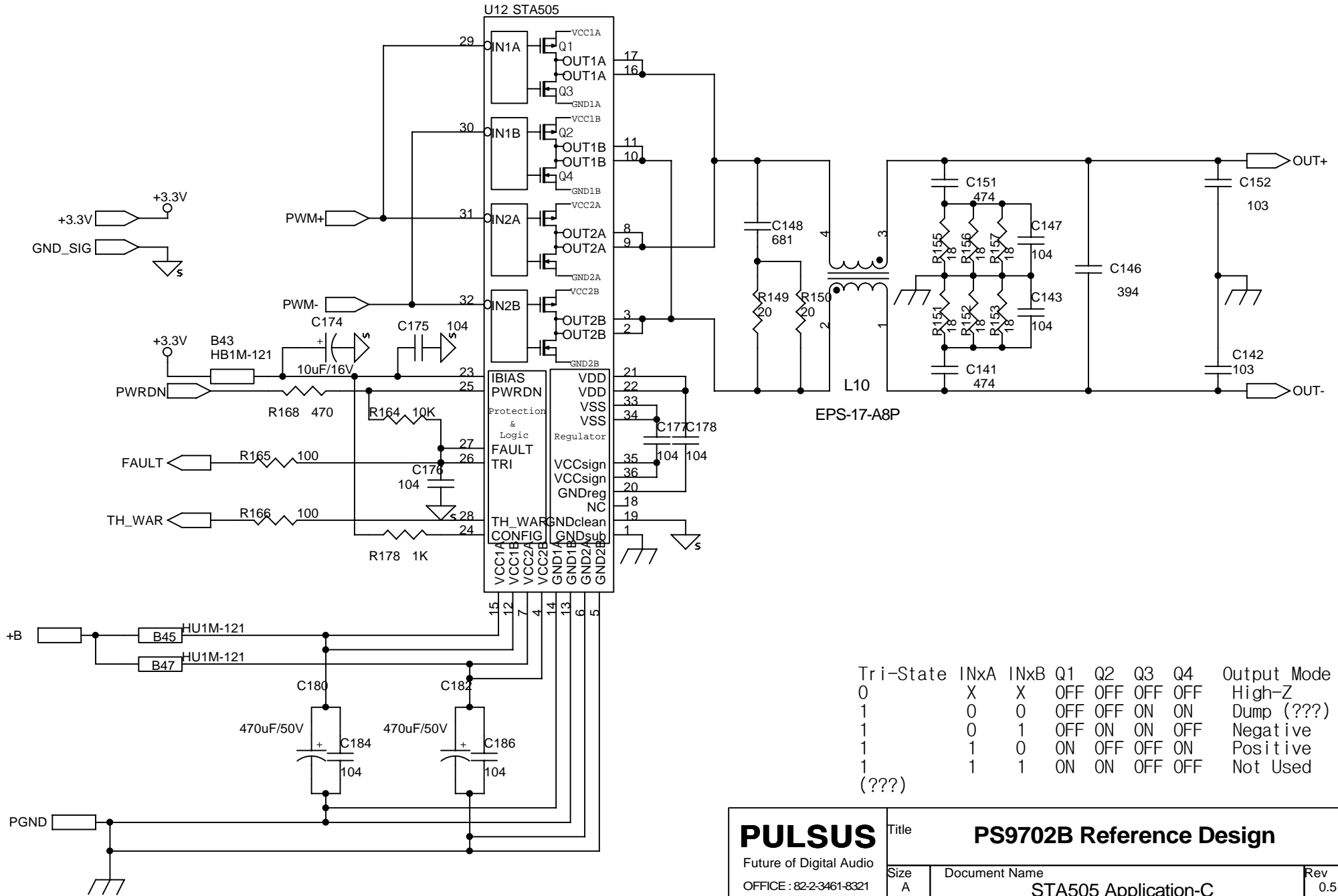
STA505는 STA500에서 PCB LAYOUT만 위에서 보아 1번부터 시계방향으로 되어있습.



Tri-State	INxA	INxB	Q1	Q2	Q3	Q4	Output Mode
0	X	X	OFF	OFF	OFF	OFF	High-Z
1	0	0	OFF	OFF	ON	ON	Dump (???)
1	0	1	OFF	ON	ON	OFF	Negative
1	1	0	ON	OFF	OFF	ON	Positive
1	1	1	ON	ON	OFF	OFF	Not Used
(???)							

PULSUS		Title		PS9702B Reference Design	
Future of Digital Audio		Size	Document Name		
OFFICE : 82-2-3461-8321		A	STA505 Application-B		
R & D : 82-2-3461-2843		Date:		Monday, August 12, 2002	Sheet 5 of 6
FAX : 82-2-3461-4469		Rev		0.5	

STA505는 STA500에서 PCB LAYOUT만 위에서
보아 1번부터 시계방향으로 되어있습.



Tri-State	INxA	INxB	Q1	Q2	Q3	Q4	Output Mode
0	X	X	OFF	OFF	OFF	OFF	High-Z
1	0	0	OFF	OFF	ON	ON	Dump (???)
1	0	1	OFF	ON	ON	OFF	Negative
1	1	0	ON	OFF	OFF	ON	Positive
1	1	1	ON	ON	OFF	OFF	Not Used
(???)							

PULSUS Future of Digital Audio OFFICE : 82-2-3461-8321 R & D : 82-2-3461-2843 FAX : 82-2-3461-4469		Title		PS9702B Reference Design	
		Size	Document Name		Rev
A	STA505 Application-C		0.5		
Date:	Monday, August 12, 2002	Sheet	6	of	6

