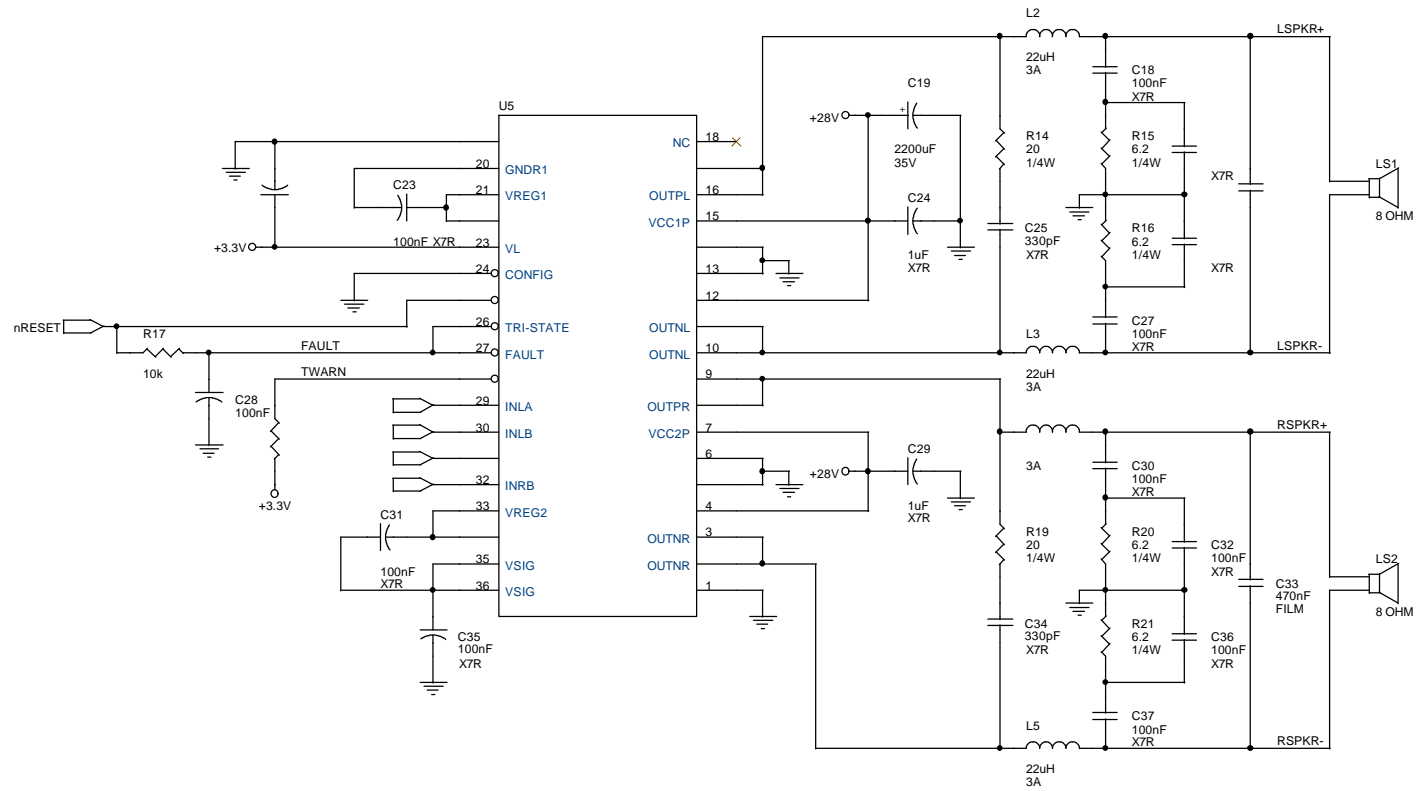


NOTE:

FULL-SCALE ANALOG INPUT SENSITIVITY IS 1.4VRMS.
 EXCEEDING THE FULL-SCALE ANALOG INPUT WILL PRODUCE
 CLIPPING ON THE SPEAKER OUTPUTS.

APOGEE TECHNOLOGY, INC.		
129 MORGAN DRIVE NORWOOD, MA 02062		
Title DDX STEREO PROCESSING w/ ANALOG INTERFACE		
Size B	Document Number <Doc>	Rev --
Date: Wednesday, March 14, 2001	Sheet 1	of 2



APOGEE TECHNOLOGY, INC.		
129 MORGAN DRIVE NORWOOD, MA 02062		
Title DDX POWER OUTPUT 2 x 35W		
Size B	Document Number <Doc>	Rev --
Date:	Wednesday, March 14, 2001	Sheet 2 of 2