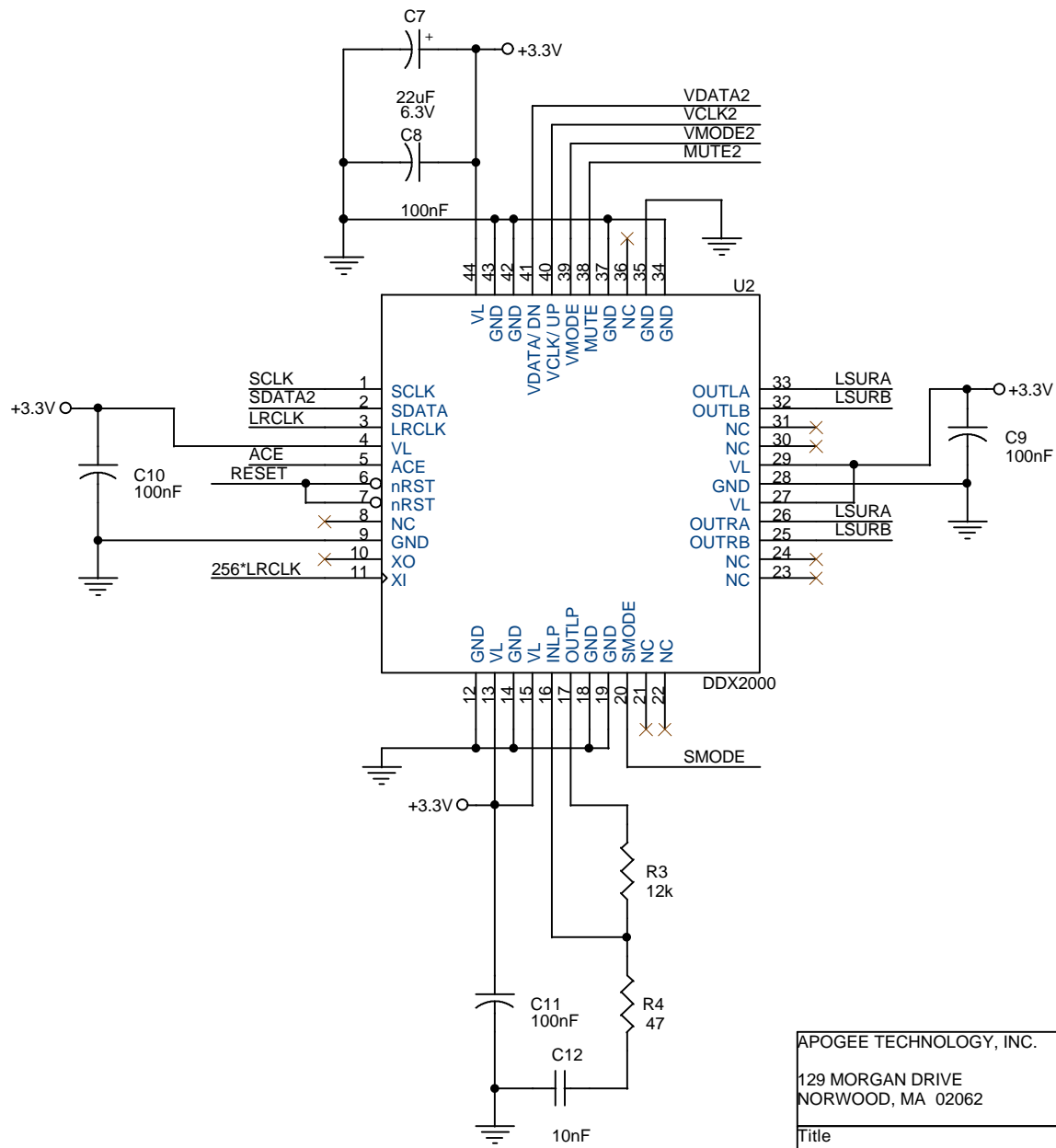


APOGEE TECHNOLOGY, INC.
 129 MORGAN DRIVE
 NORWOOD, MA 02062

Title
 DDX REFERENCE DESIGN 5.1 CHANNELS: FRONT PROCESSING

Size A	Document Number <Doc>	Rev --
-----------	--------------------------	-----------

Date: Wednesday, February 07, 2001 Sheet 2 of 8

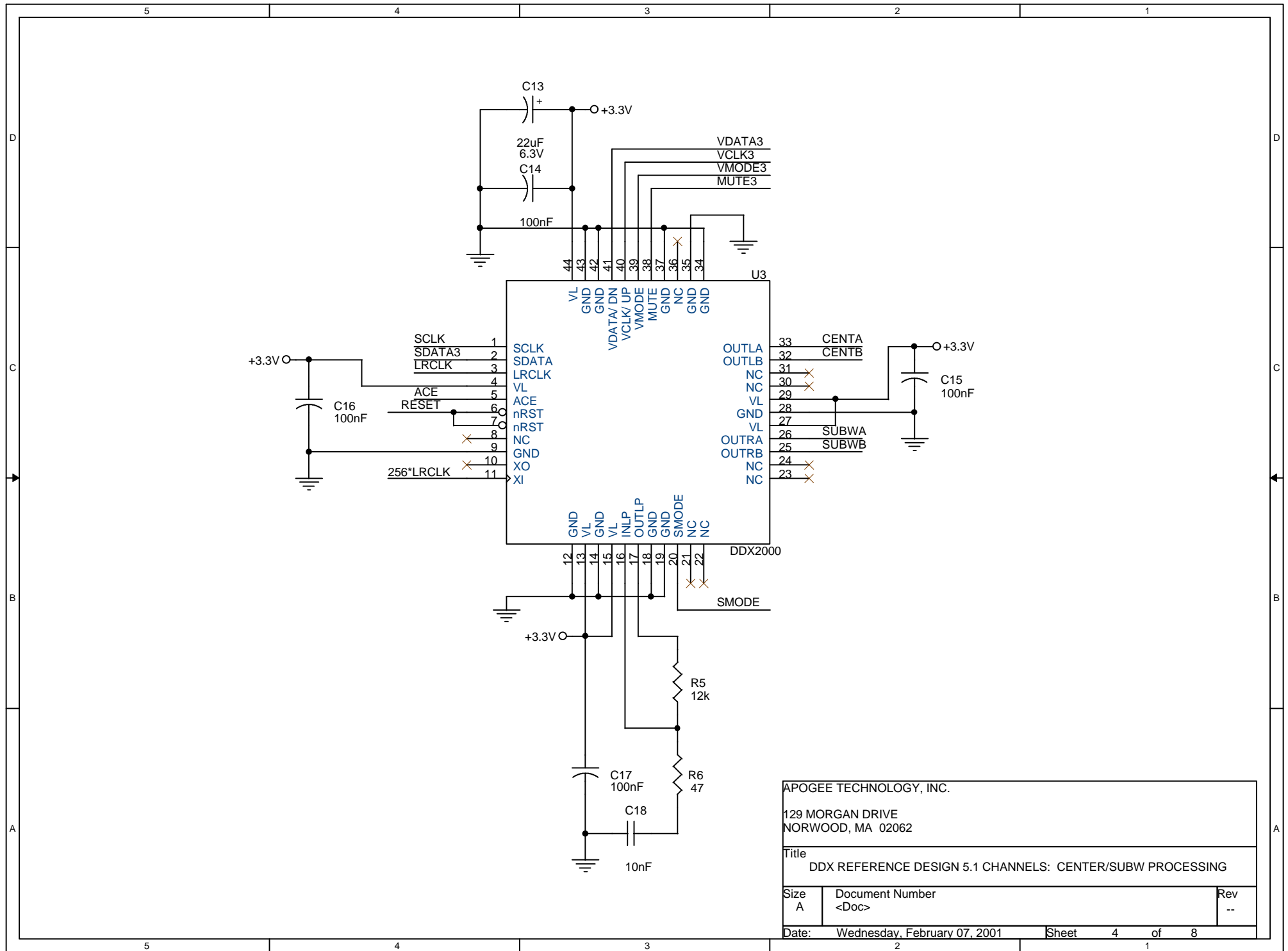


APOGEE TECHNOLOGY, INC.
 129 MORGAN DRIVE
 NORWOOD, MA 02062

Title
 DDX REFERENCE DESIGN 5.1 CHANNELS: SURROUND PROCESSING

Size A	Document Number <Doc>	Rev --
-----------	--------------------------	-----------

Date: Wednesday, February 07, 2001 Sheet 3 of 8

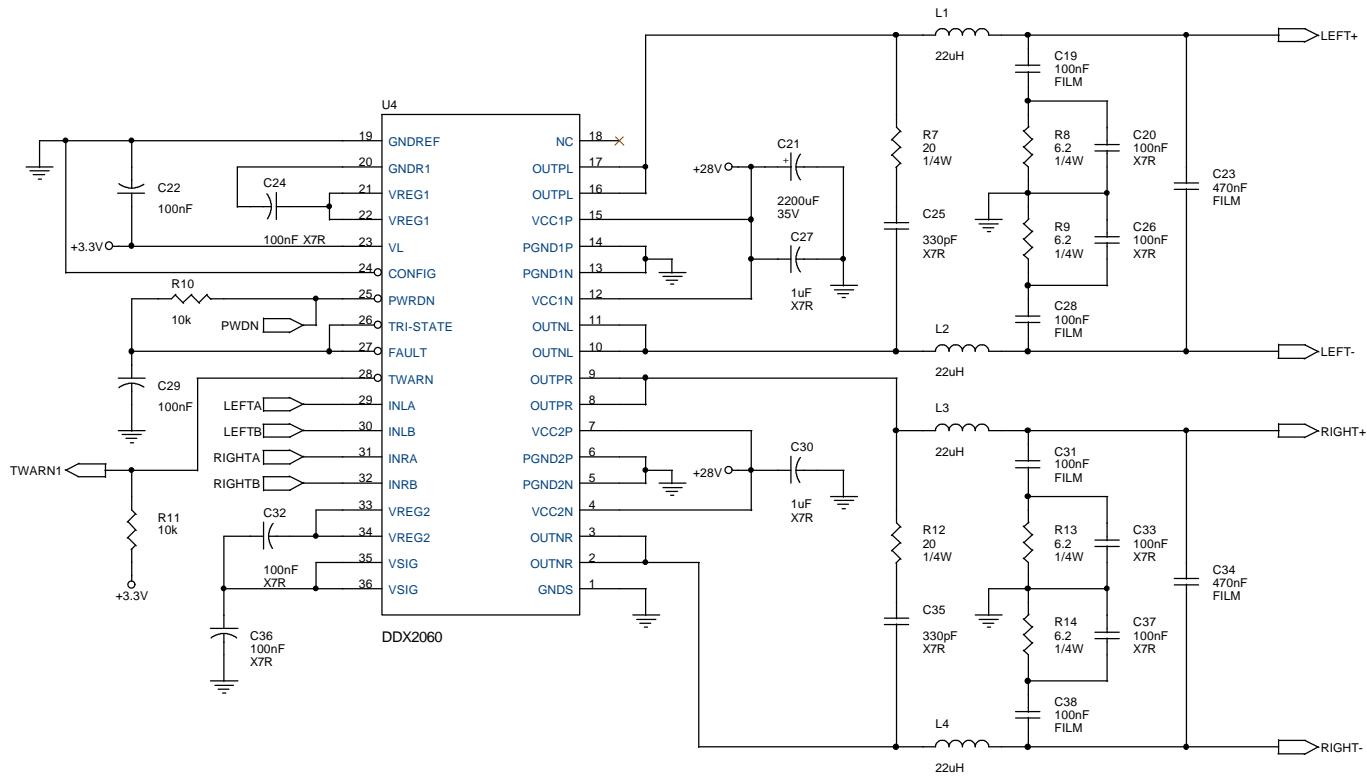


APOGEE TECHNOLOGY, INC.
 129 MORGAN DRIVE
 NORWOOD, MA 02062

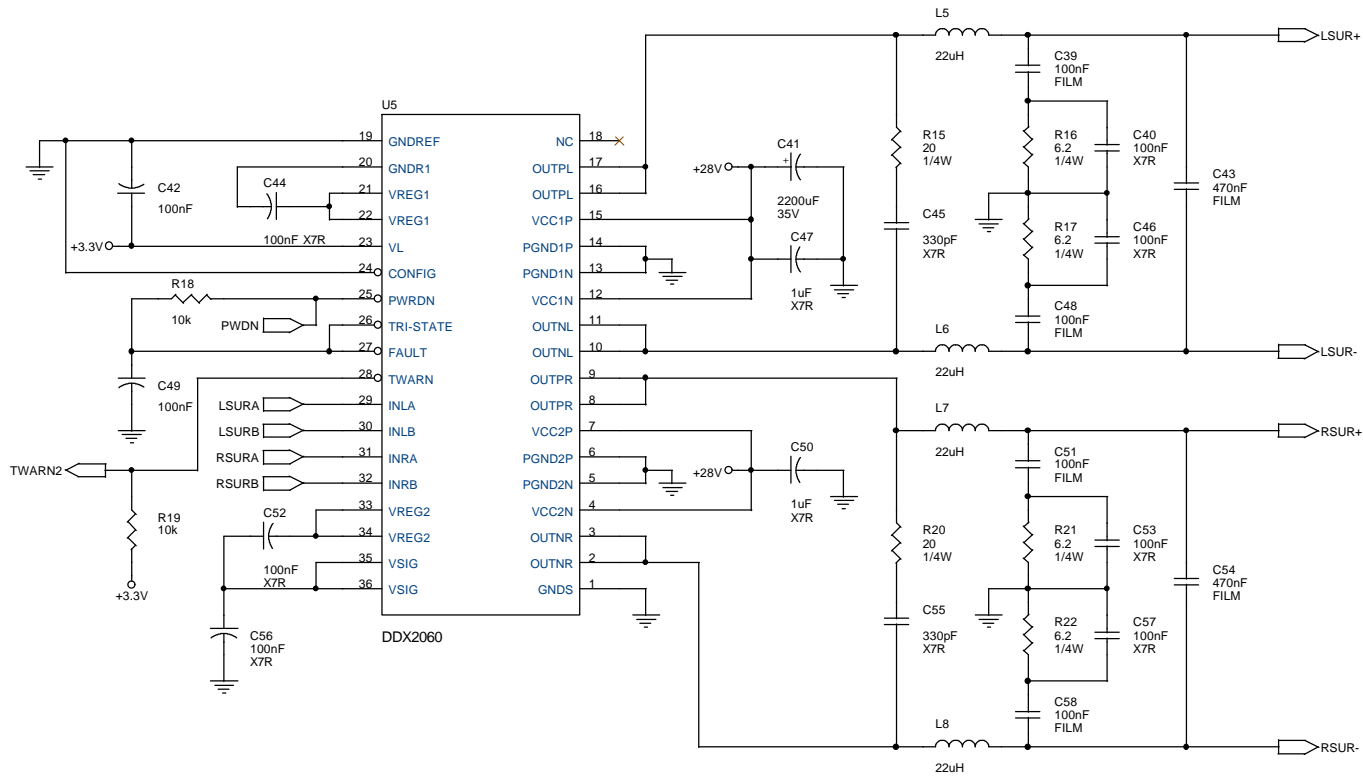
Title
 DDX REFERENCE DESIGN 5.1 CHANNELS: CENTER/SUBW PROCESSING

Size A	Document Number <Doc>	Rev --
-----------	--------------------------	-----------

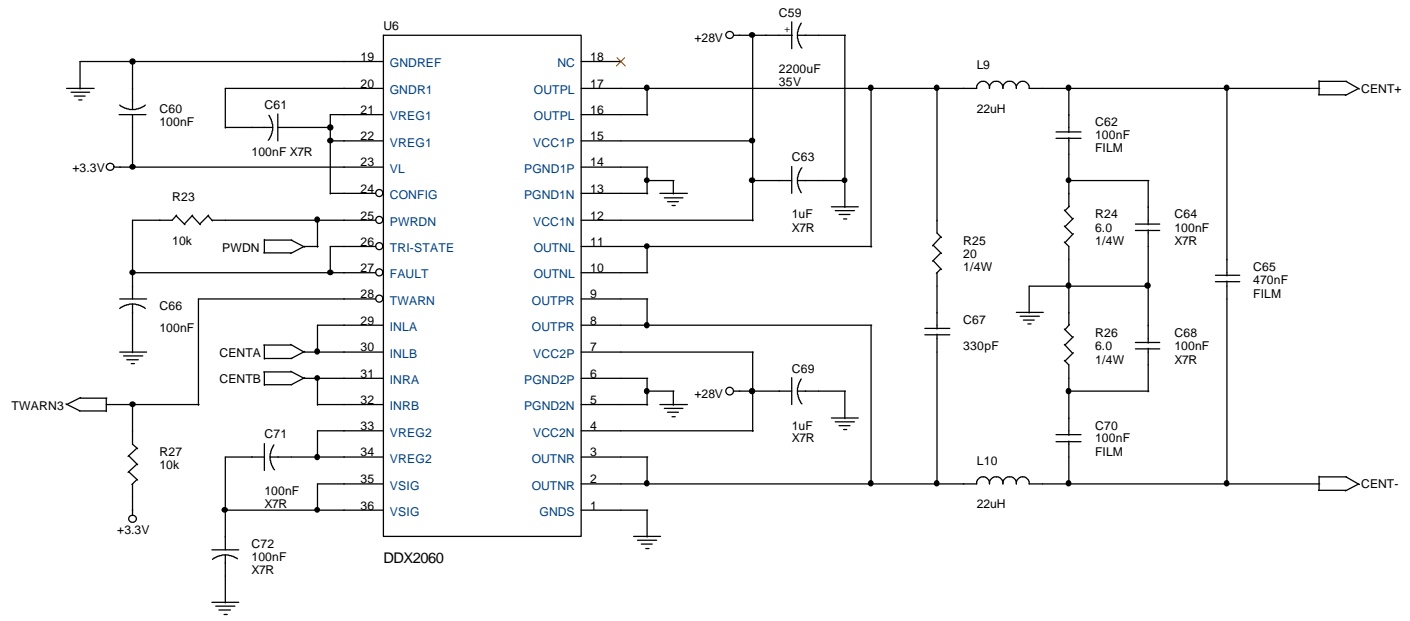
Date: Wednesday, February 07, 2001 Sheet 4 of 8



APOGEE TECHNOLOGY, INC.		
129 MORGAN DRIVE NORWOOD, MA 02062		
Title DDX REFERENCE DESIGN 5.1 CHANNELS: FRONT OUTPUTS		
Size B	Document Number <Doc>	Rev --
Date:	Wednesday, February 07, 2001	Sheet 5 of 8



APOGEE TECHNOLOGY, INC.		
129 MORGAN DRIVE NORWOOD, MA 02062		
Title DDX REFERENCE DESIGN 5.1 CHANNELS: SURROUND OUTPUTS		
Size B	Document Number <Doc>	Rev --
Date:	Wednesday, February 07, 2001	Sheet 6 of 8

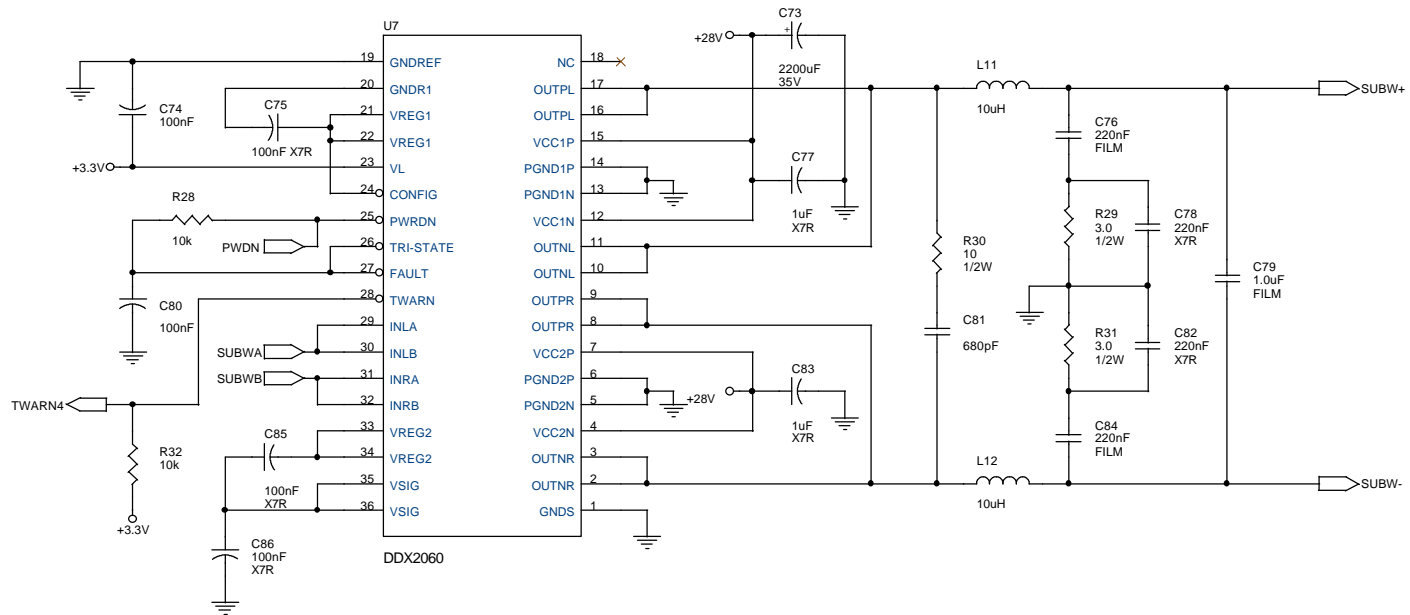


APOGEE TECHNOLOGY, INC.
 129 MORGAN DRIVE
 NORWOOD, MA 02062

Title
 DDX REFERENCE DESIGN 5.1 CHANNELS: CENTER OUTPUT

Size B	Document Number <Doc>	Rev --
-----------	--------------------------	-----------

Date: Wednesday, February 07, 2001 Sheet 7 of 8



APOGEE TECHNOLOGY, INC.		
129 MORGAN DRIVE NORWOOD, MA 02062		
Title DDX REFERENCE DESIGN 5.1 CHANNELS: SUBWOOFER OUTPUT		
Size B	Document Number <Doc>	Rev --
Date:	Wednesday, February 07, 2001	Sheet 8 of 8