



Hypex Electronics BV
 Kattegat 8
 9723 JP Groningen, The Netherlands
 +31 50 526 4993
 info@hypex.nl

UcD700™

Power Supply

Hypex Electronics BV
 Kattegat 8
 9723 JP Groningen
 The Netherlands

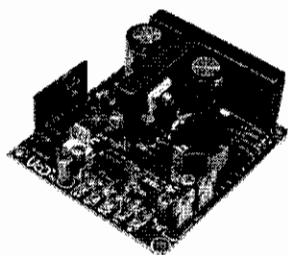
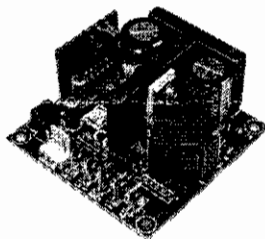
Phone: +31 50 526 4993
 Fax: +31 50 525 4591

Email: info@hypex.nl • support@hypex.nl
<http://www.hypex.nl>

Also available from Hypex Electronics:

UcD180™

HG-series



UcD400™

HG-series

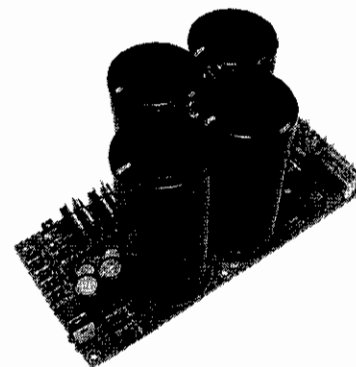
Hypex UcD™ HG - Series



Hypex Electronics BV
 Kattegat 8
 9723 JP Groningen, The Netherlands
 +31 50 526 4993
 info@hypex.nl

UcD700™

UcD700™ Power Supply V2



Features

- Audiophile 100V Slit-Foil capacitors
- DC-protection
- On-board fuses
- Dual high-speed rectifier bridges
- Fits in a 2HE case when mounted on its side

Applications

- UcD700 mono or stereo applications
- Public Address systems
- Home theatre systems
- Weight: 775gms (26.7oz.)
- Dimensions : 177mm x 79mm x 100mm

Description

The UcD700™ amplifier module is a self-contained high-performance class D amplifier intended for a wide range of audio applications. To ensure proper functioning of the module, a well built supply is needed. This power supply has all the functions implemented to make a perfect match with the UcD700.

Absolute maximum ratings

! Correct operation at these limits is not guaranteed. Operation beyond these limits may result in irreversible damage

Item	Rating	Unit	Notes
Vdr (in)	18	Vac	
Auxiliary supply	15 - 0 - 15	Vac	centre tapped at transformer
Sec1	65	Vac	
Sec2	65	Vac	

NOTE: Some transformers may have a considerable higher unloaded output voltage than the label states.

Recommended Operating Conditions

Item	Rating	Unit	Notes
Vdr (in)	16	Vac	
Auxiliary supply	13 - 0 - 13	Vac	centre tapped at transformer
Sec1	63	Vac	
Sec2	63	Vac	

Hypex UcD™ - Series



Hypex Electronics BV
Kattegat 8
9723 JP Groningen, The Netherlands
+31 50 526 4993
info@hypex.nl

UcD700™

Power Supply

Connection Diagram

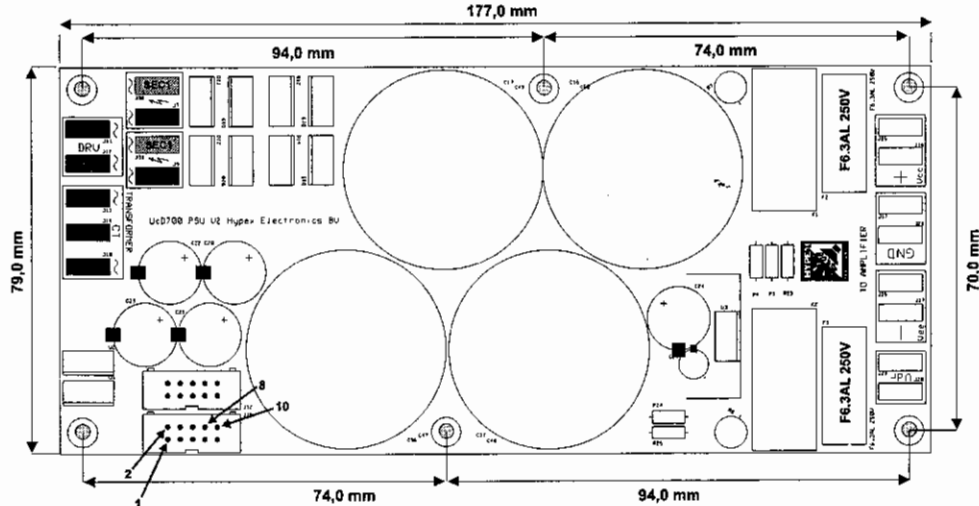


Fig 1. UcD700 Power Supply connections/dimensions

Signal Connectors Specification:

Pin (10-pin Flatcable header)	Function
2, 7, 8	GND (default NOT connected to Power GND)
5	ON/OFF control
1	DC Protect
10	+12V
9	-12V

Power Connectors Specification (To Amplifier):

Pin (FASTON® tab)	Function
- (Vee)	Negative power supply connection
Vdr (out)	Driver supply connection (+15V referred to Vee)
GND	Power supply ground connection (default NOT connected to Signal GND)
+ (Vcc)	Positive power supply connection

Power Connectors Specification (From Transformer TR700):

Pin (FASTON® tab)	Function
Vdr (J11, J12)	16 Vac
Auxiliary supply (J10, J13, J14)	2 x 13 Vac (centre tapped at transformer)
Sec1 (J30, J31)	63 Vac
Sec2 (J7, J9)	63 Vac

Hypex UcD™ HG - Series



Hypex Electronics BV
Kattegat 8
9723 JP Groningen, The Netherlands
+31 50 526 4993
info@hypex.nl

UcD700™

Power Supply

Application Information

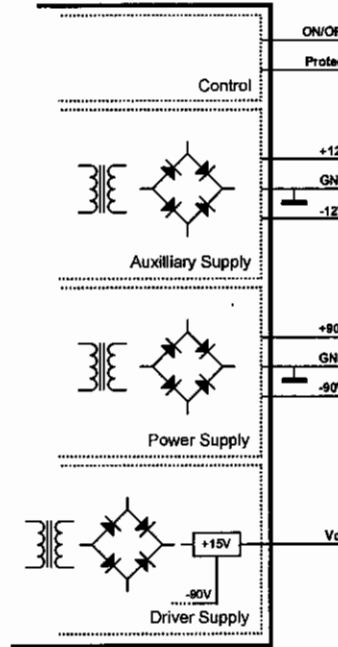


Fig 2. Supply schematic presentation

Protection

The following protections are implemented in the UcD700 Power Supply:

- 6.3A/250V fast acting fuses in the secondary power supply.
- DC-protection. Switches off the secondary power supply voltages until the mains is disconnected.
- AC-detect for a pop-free start/stop control. When the mains is disconnected the UcD700 immediately switches off avoiding pops.

Ground loops

To avoid ground loops there are two possible grounding settings. The default setting is for mono applications (Fig 3) and for stereo applications (two UcD700's connected to one supply) user must remove two solder links (bottom of PCB) and make a solder link (bottom of PCB) like shown in Fig 4.

WARNING! Before changing settings disconnect the amplifier from the mains and wait at least 5 minutes before soldering. Check the supply voltages (<45Vdc between Vee and Vcc) with a voltmeter if possible.

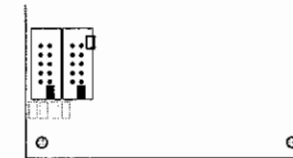


Fig 3. Mono application (default setting)

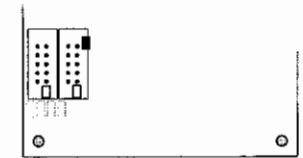


Fig 4. Stereo application

HxR12 option

If your UcD700HG is equipped with HxR12 regulators you need to set jumpers at the bottom of the supply board as shown below:

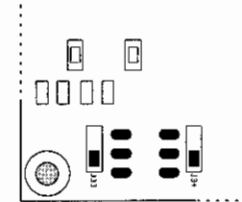


Fig 5. No HxR12 regulators installed (default setting)

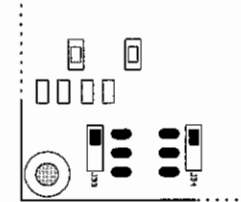


Fig 6. HxR12 regulators installed. Place J33, J34 as shown.

Hypex UcD™ HG - Series