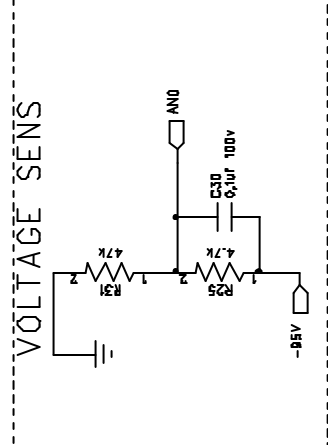
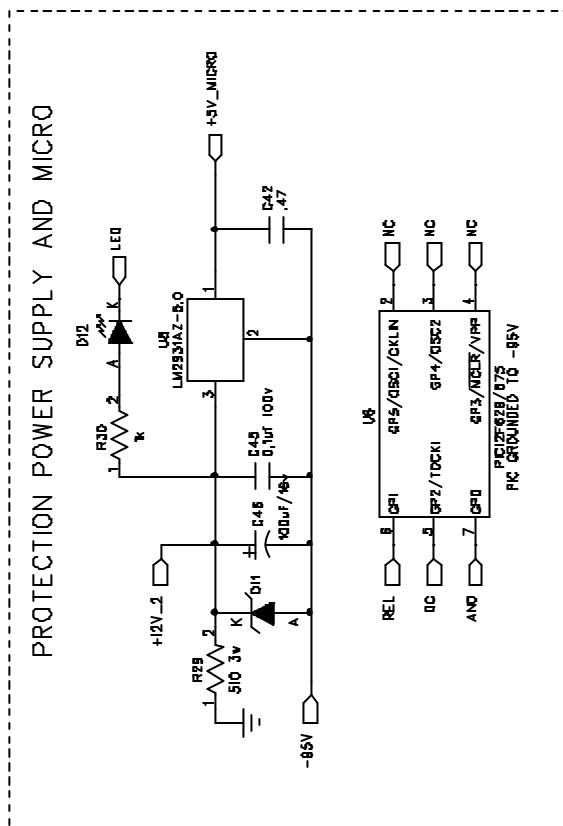
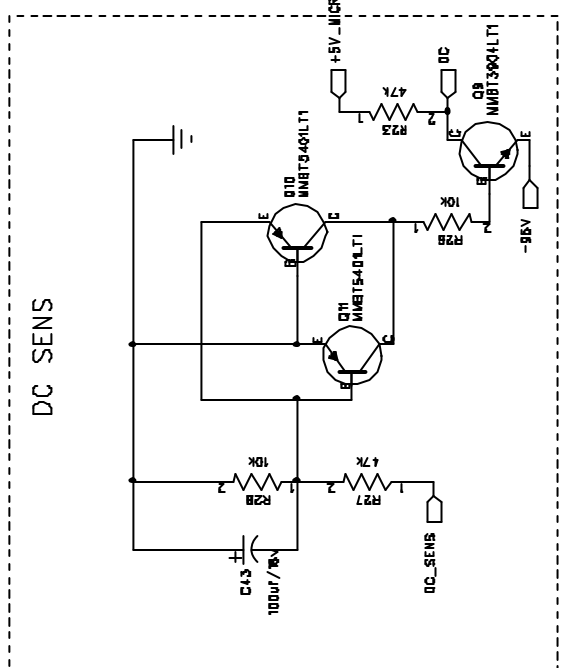
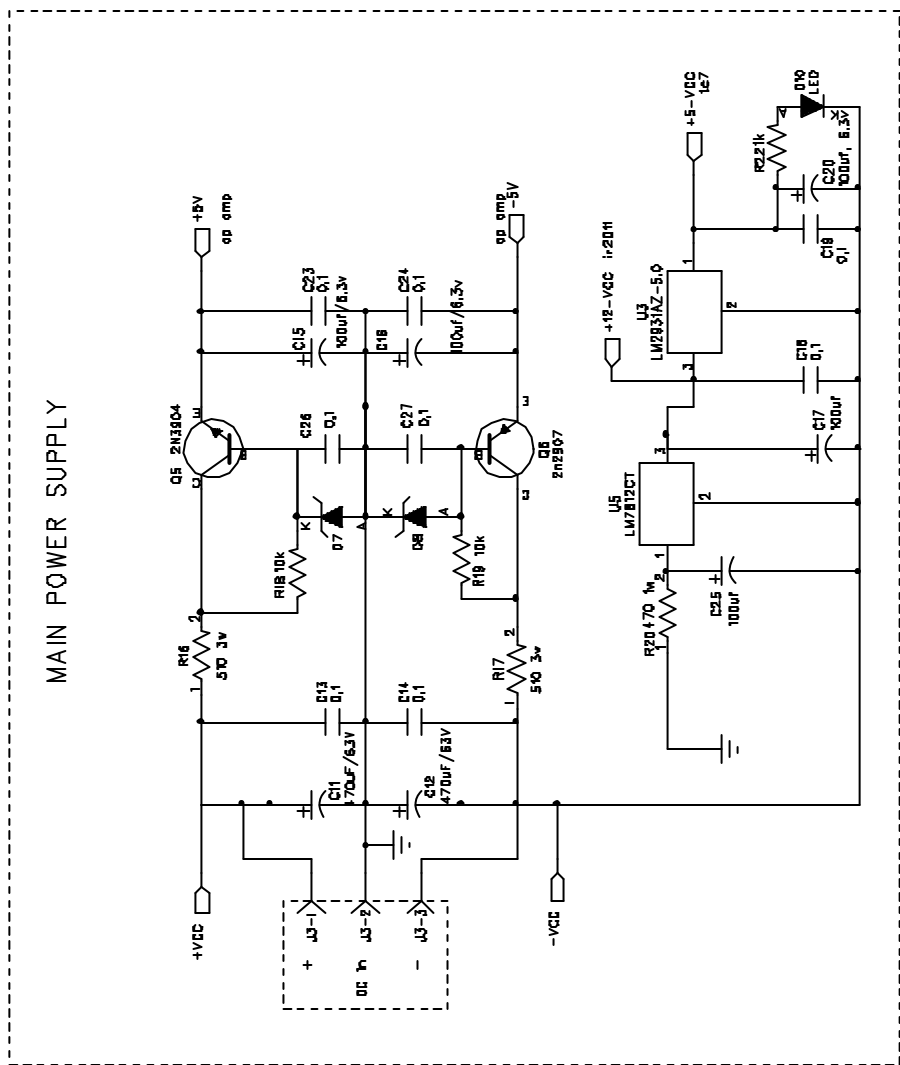
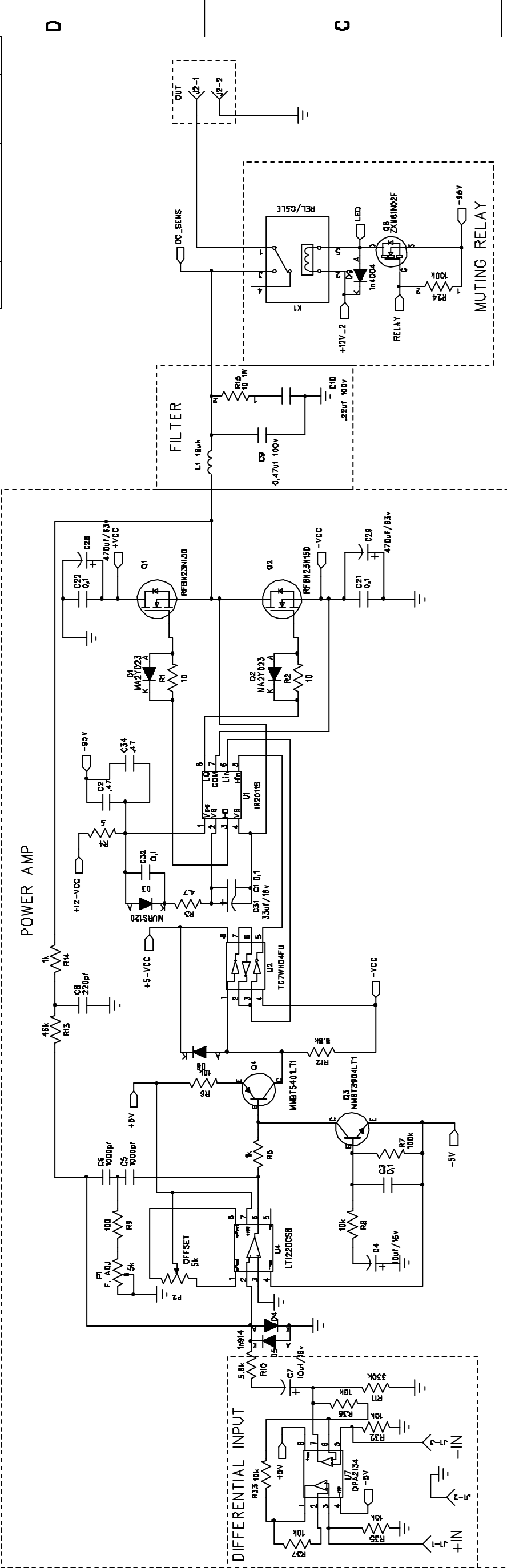


1 2 3 4 5 6

REVISION RECORD	
LTR	APPROVED: DATE:



COMPANY:		DRAWN: P.Allen		DATED:	
TITLE: D AMP		CHECKED:		DATED:	
CODE:		QUALITY CONTROL:		DATED:	
SIZE:		RELEASED:		DATED:	
DRAWING NO:		SCALE:		SHEET: 01	
REV:					