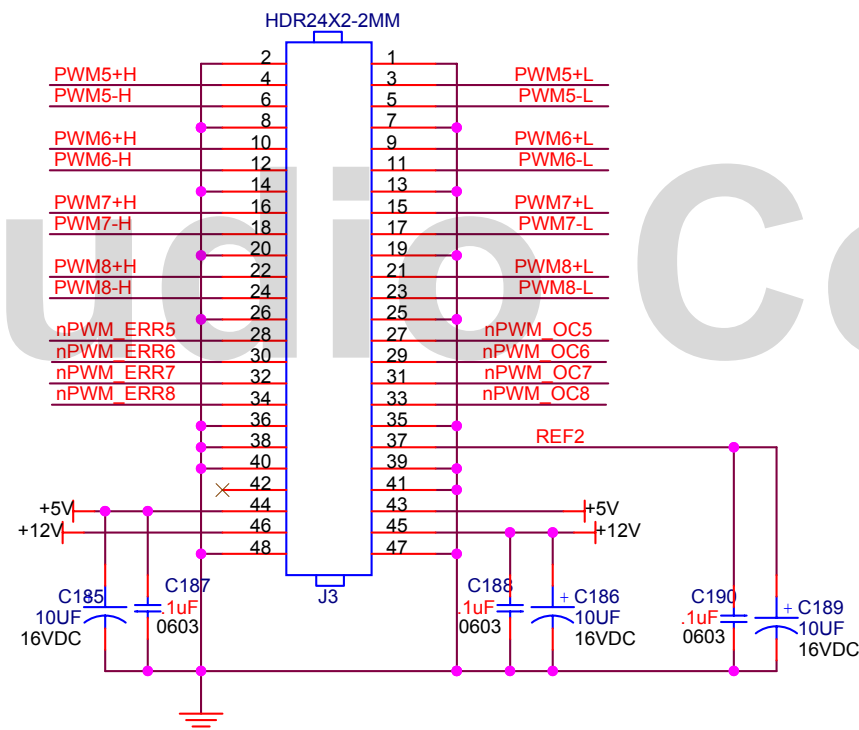
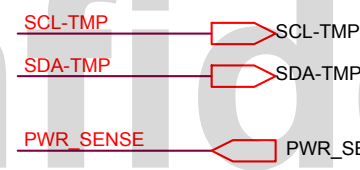
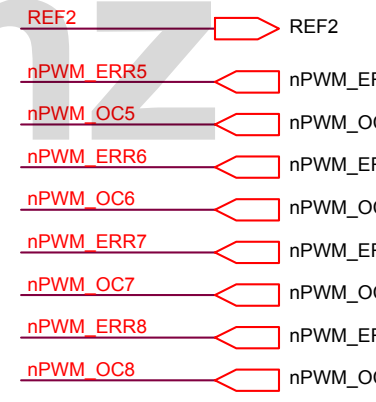
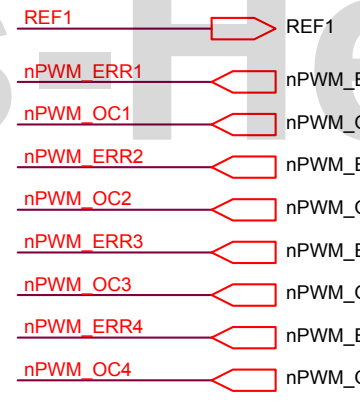
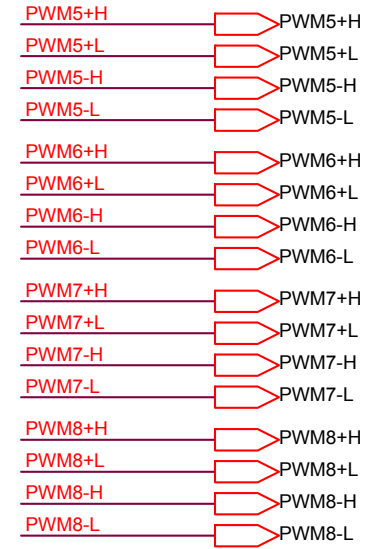
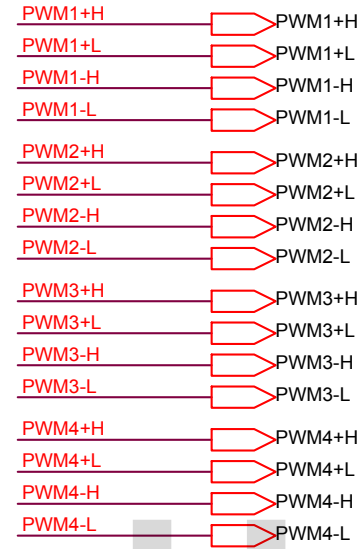
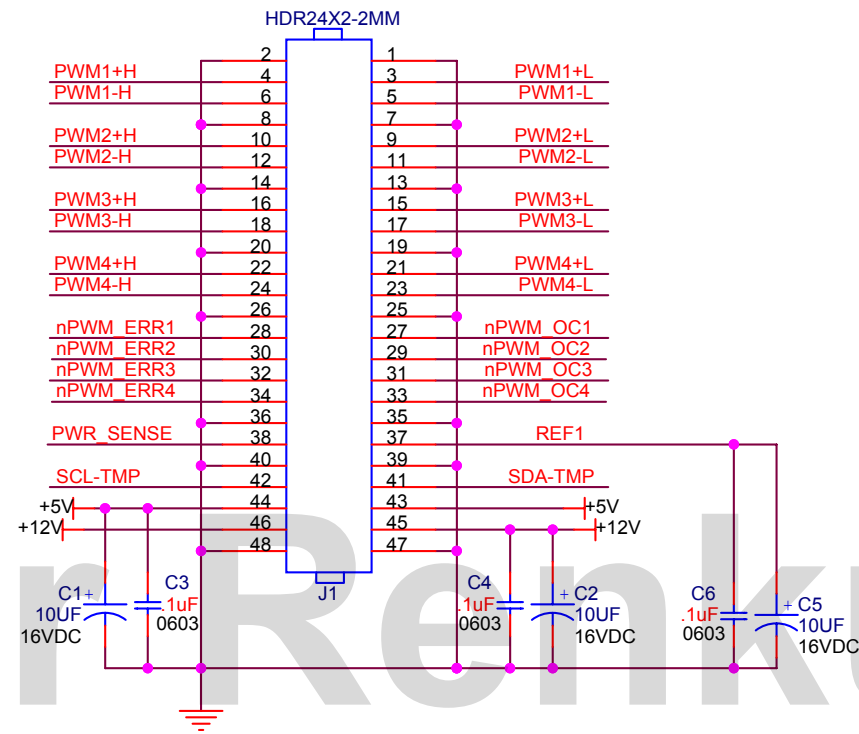


For Renkus-Heinz
D2Audio Confidential

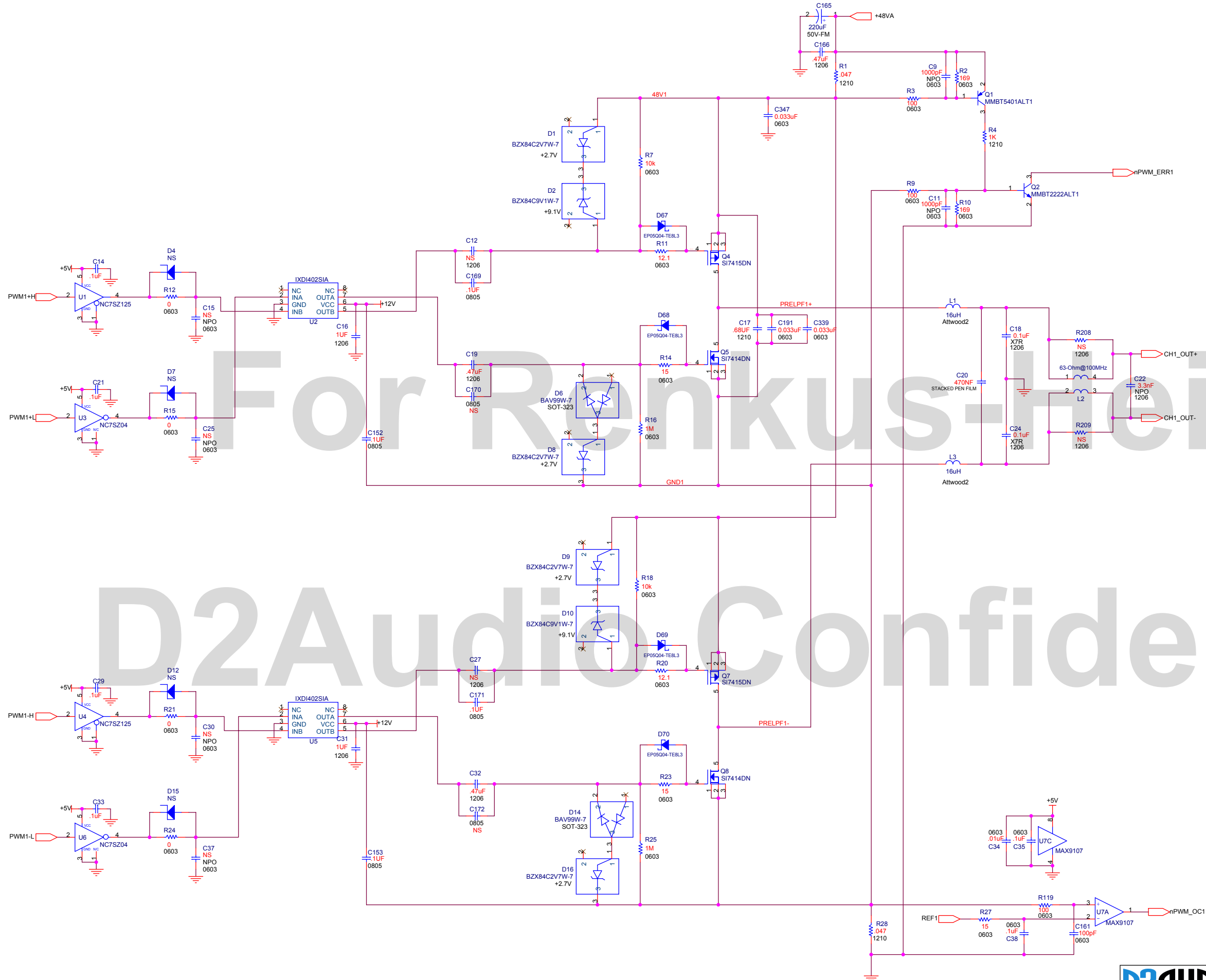
D2AUDIO		D2Audio 7600 B Capital Of Texas HWY N Suite 130 Austin, TX 78731	
		Title: Sofia Power-8 Board - 3rd Cut Dennis Caldwell	
Size B	Document Number 0070-C00032-000	Block Diagram	
Date:	Wednesday, August 18, 2004	Sheet	1 of 12
		Rev	A



D2AUDIO 7600 B Capital Of Texas HWY N Suite 130 Austin, TX 78731

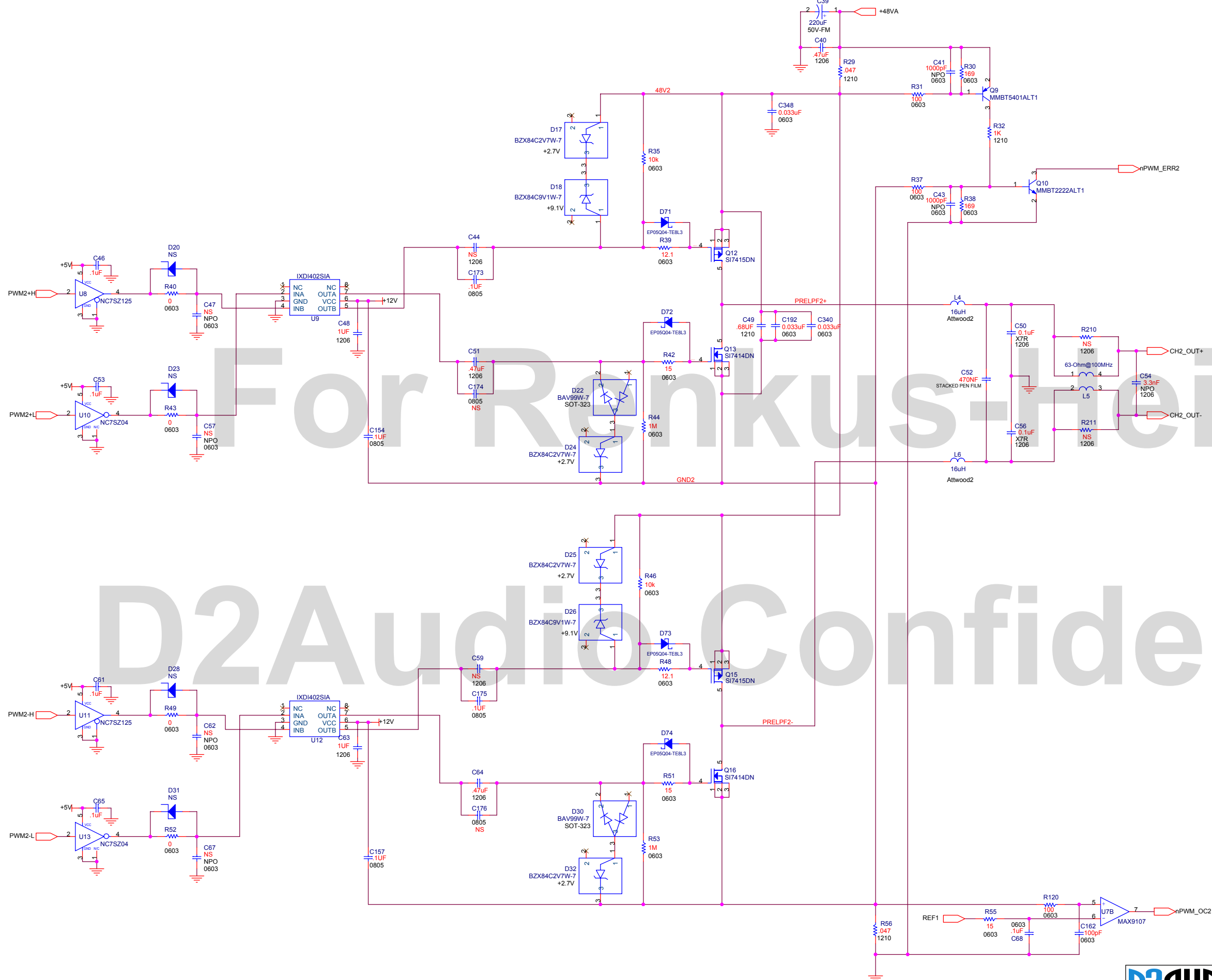
Title: **Sofia Power-8 Board - 3rd Cut** Dennis Caldwell

Size B	Document Number: 0070-C00032-000	Input Headers	Rev A
Date: Wednesday, August 18, 2004	Sheet 2 of 12		



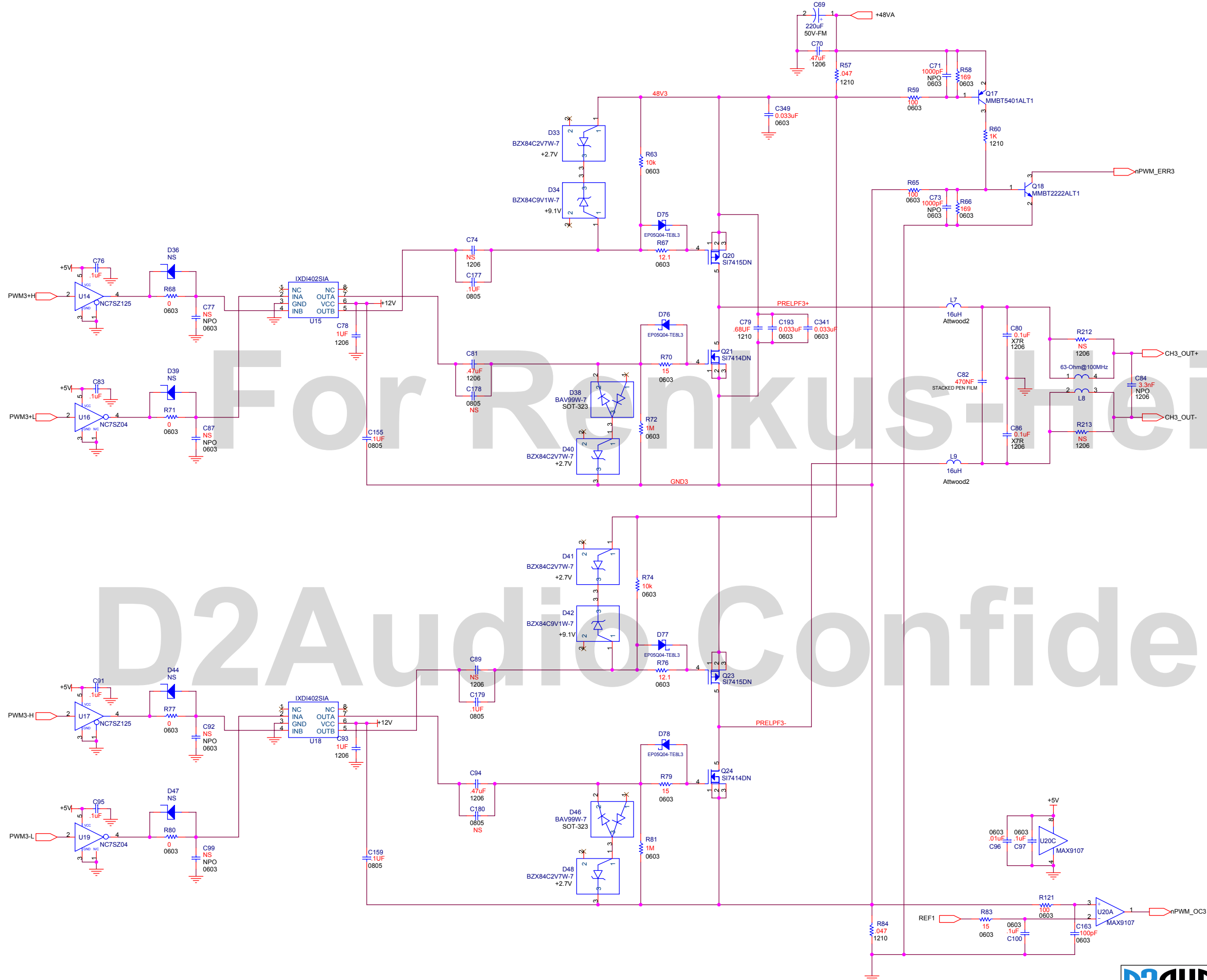
For Renkus-Heinz

D2Audio Confidential



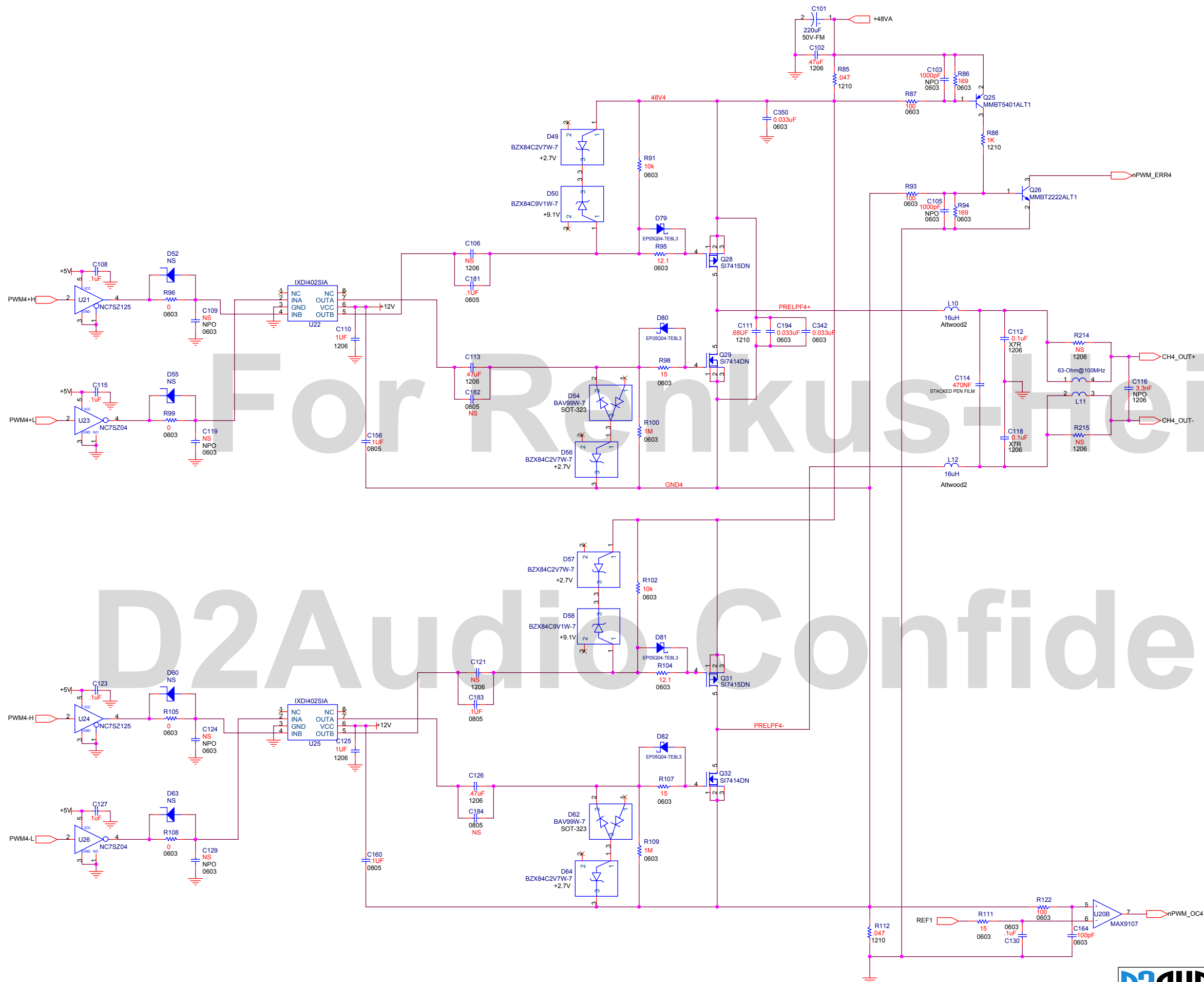
For Renkus-Heinz

D2Audio Confidential



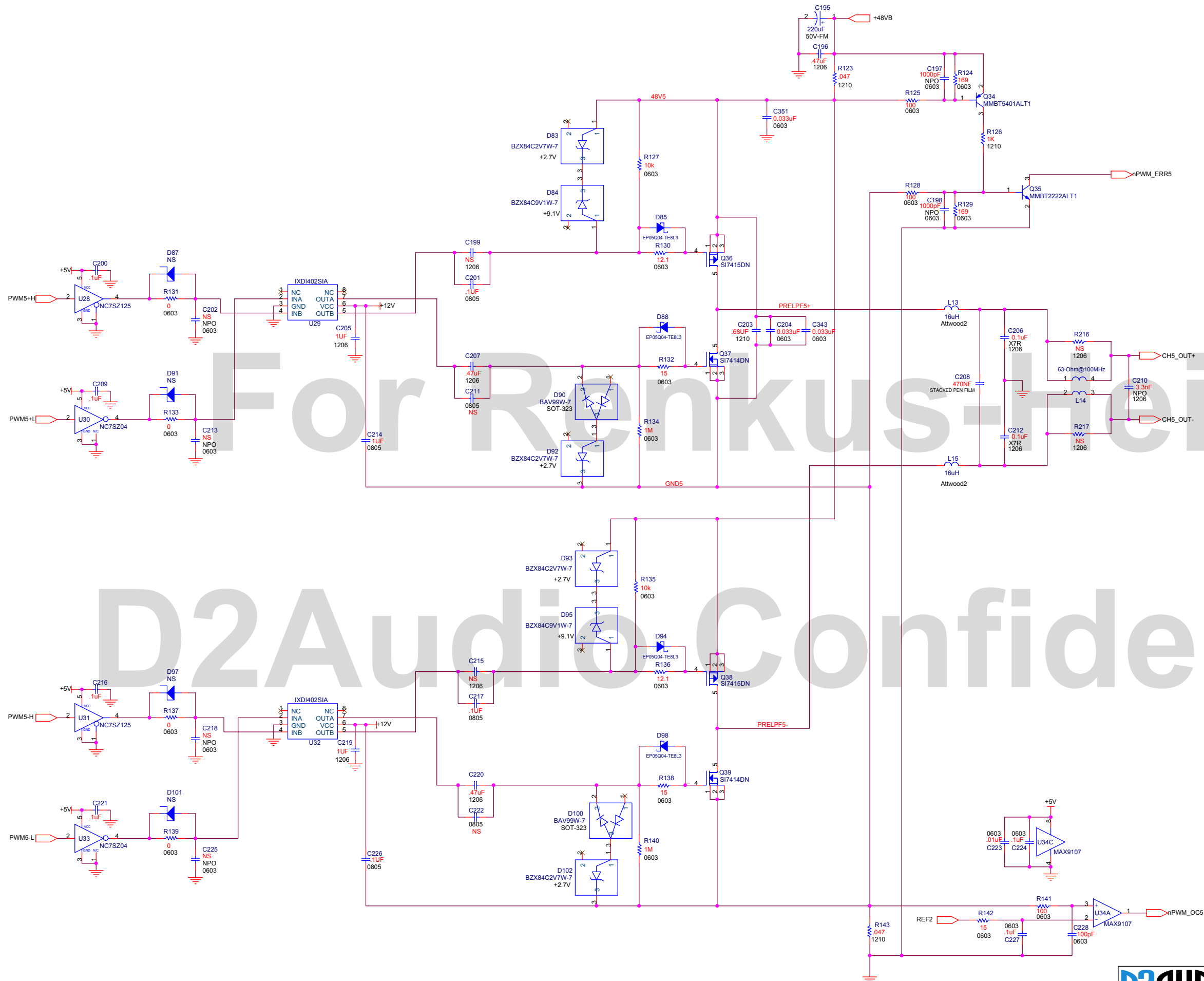
For Renkus-Heinz

D2Audio Confidential



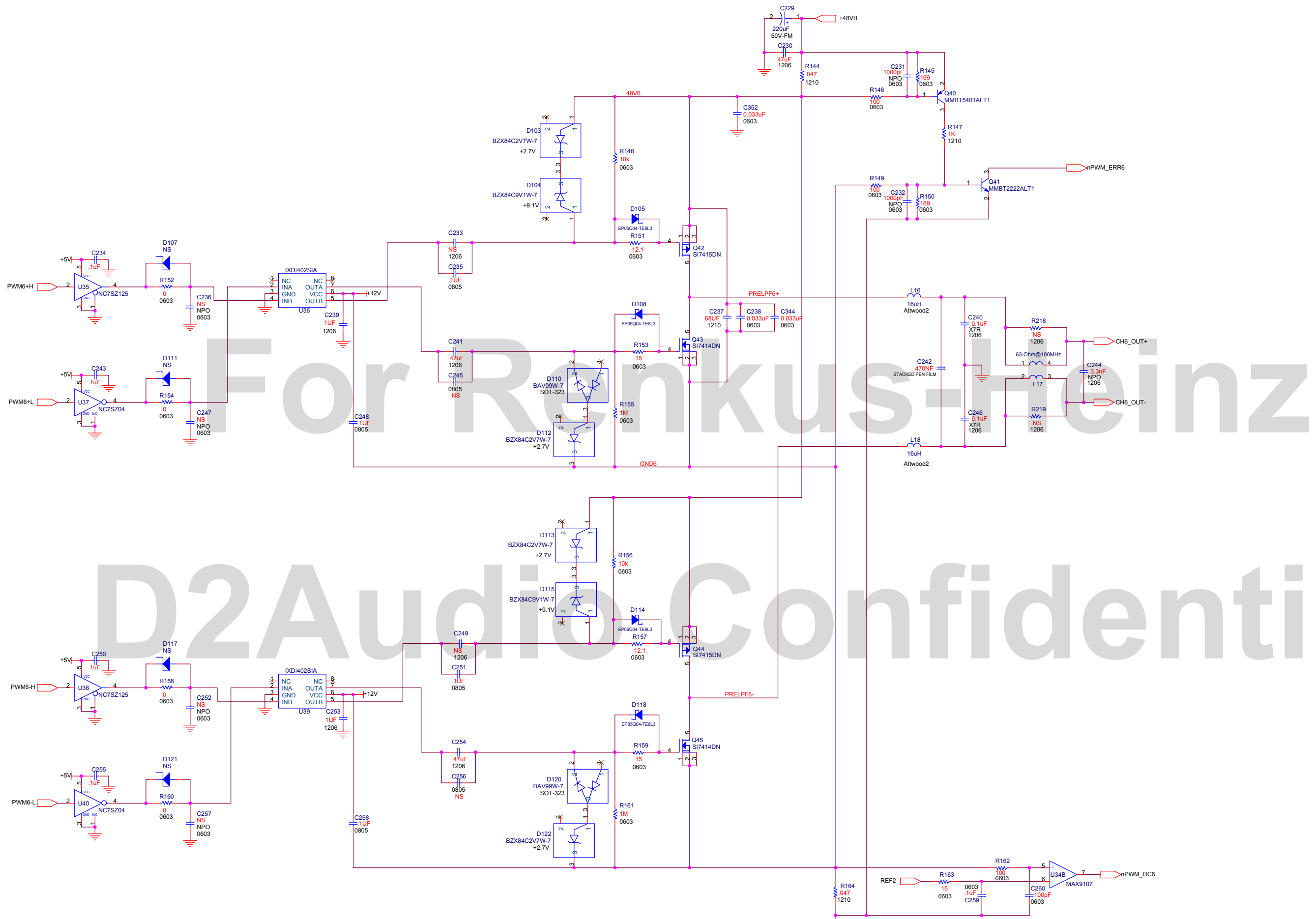
For Renkus-Heinz

D2Audio Confidential



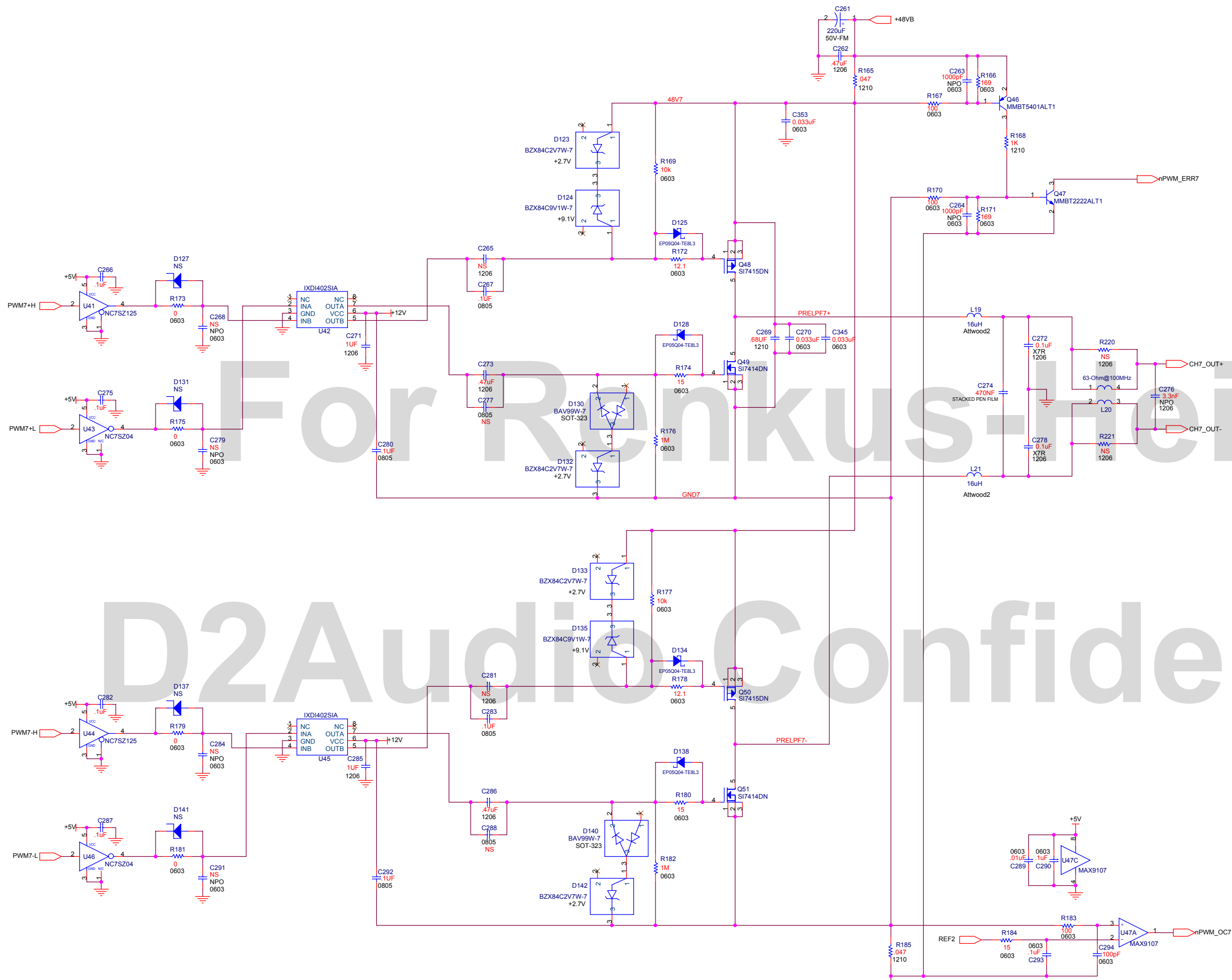
For Renkus-Heinz

D2Audio Confidential



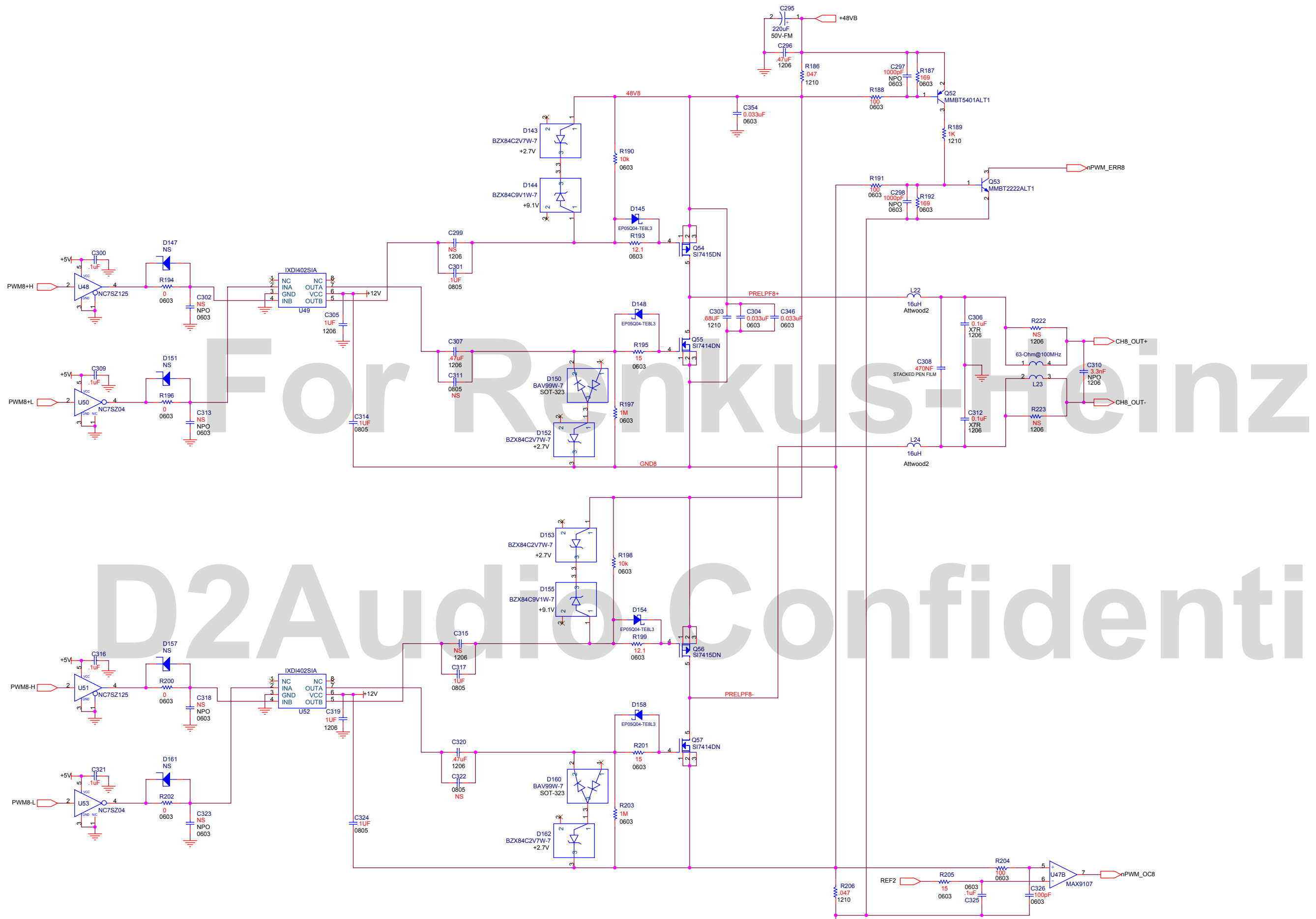
For Renkus-Heinz

D2Audio Confidential



For Renkus-Heinz

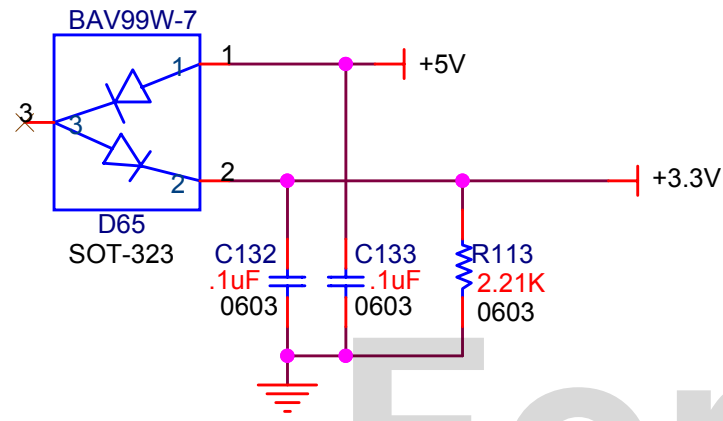
D2Audio Confidential



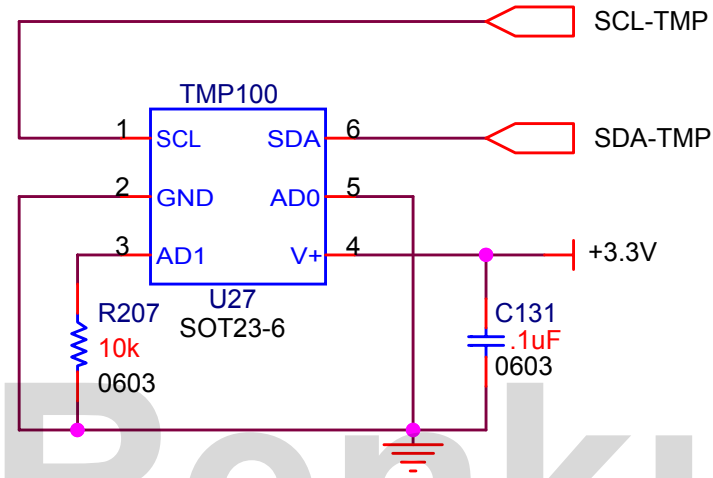
For Renkus-Heinz

D2Audio Confidential

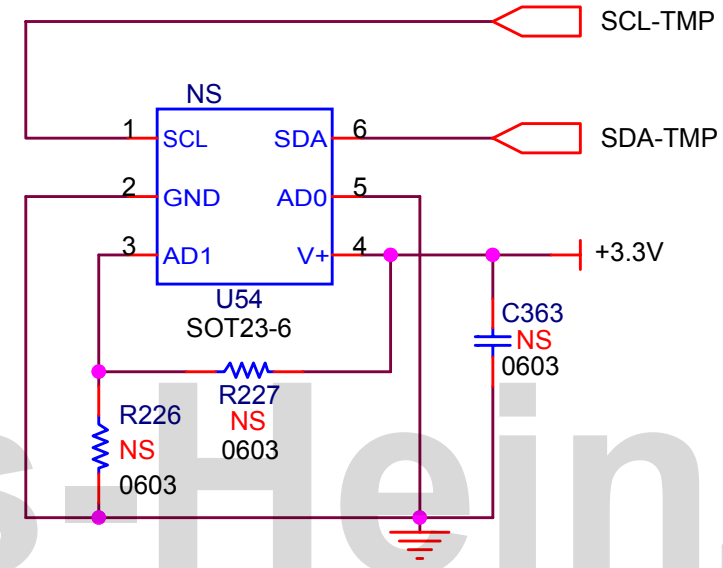
Temp Sensor +3.3V Source



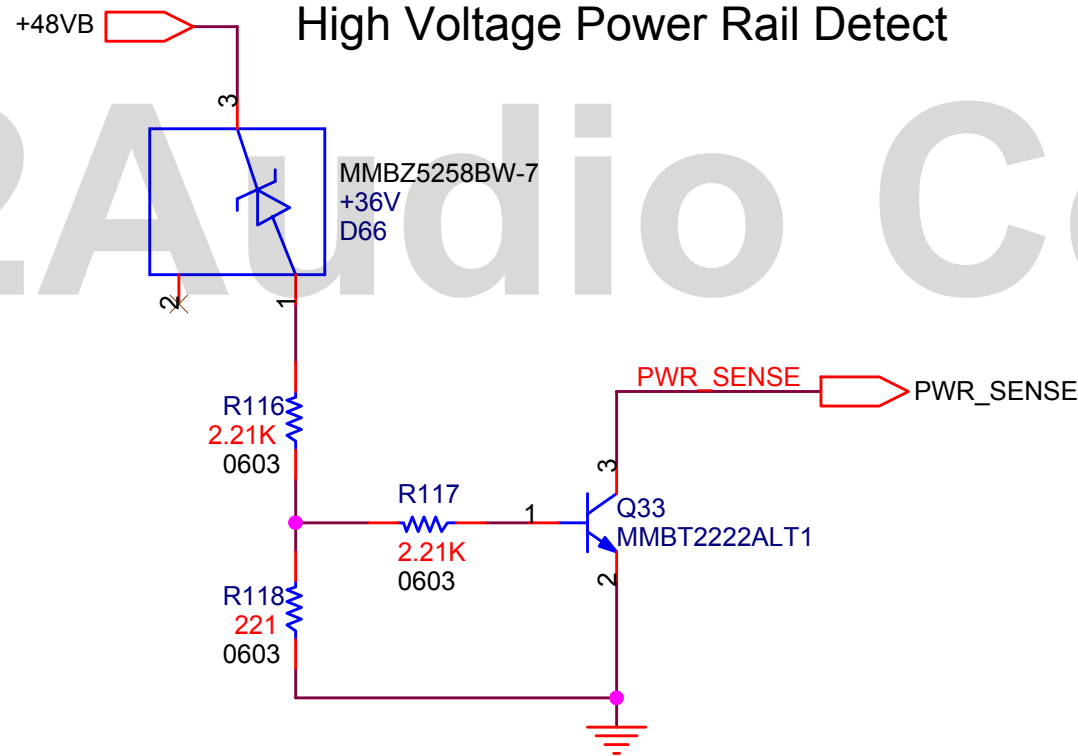
Temp Sensor



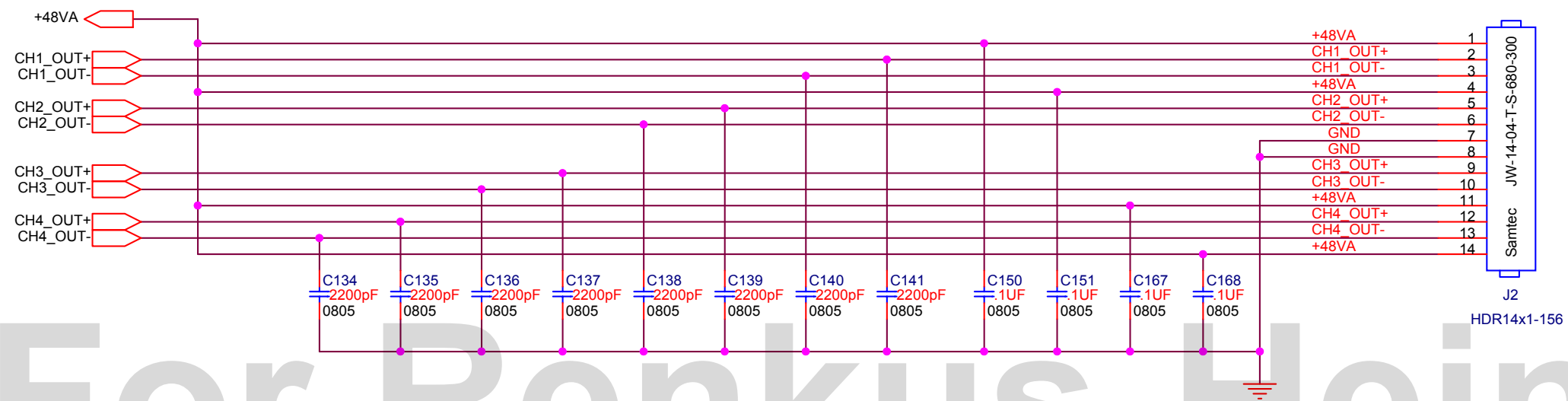
Optional Stuff Location Temp Sensor



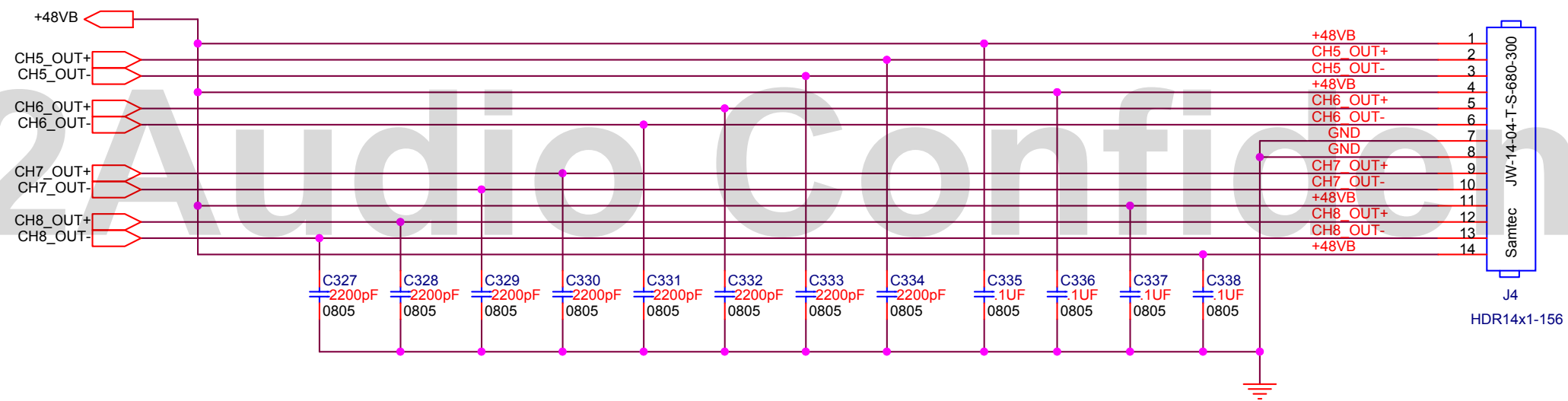
High Voltage Power Rail Detect



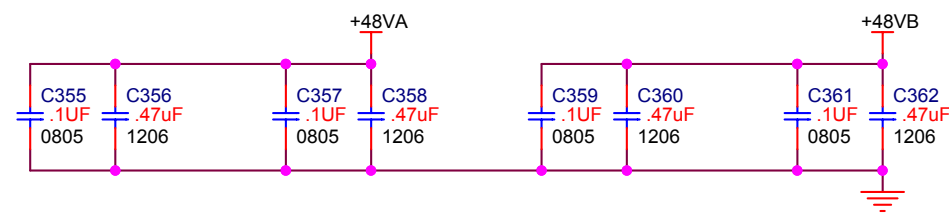
D2AUDIO		D2Audio 7600 B Capital Of Texas HWY N Suite 130 Austin, TX 78731	
Title		Sofia Power-8 Board - 3rd Cut	Dennis Caldwell
Size A	Document Number 0070-C00032-000	Temp Sensor	
Date:	Wednesday, August 18, 2004	Sheet	11 of 12
			Rev A



For Renkus-Heinz

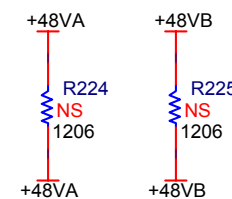


D2Audio Confidential



Additional caps added near FETs on +48V plane.

Optional 0-ohm Jumpers



D2AUDIO		D2Audio 7600 B Capital Of Texas HWY N Suite 130 Austin, TX 78731	
Title		Sofia Power-8 Board - 3rd Cut Dennis Caldwell	
Size B	Document Number	Output Headers	
	0070-C00032-000		
Date:	Wednesday, August 18, 2004	Sheet	12 of 12
		1	