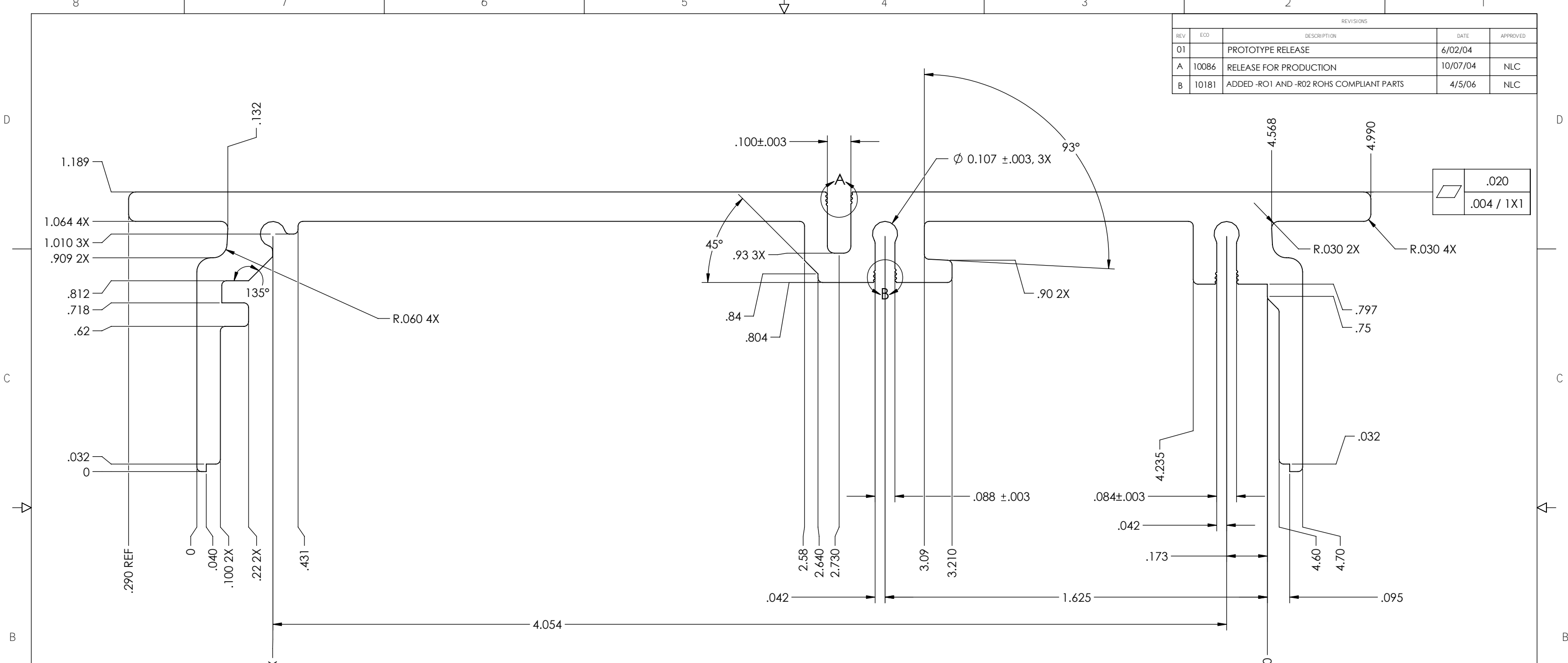
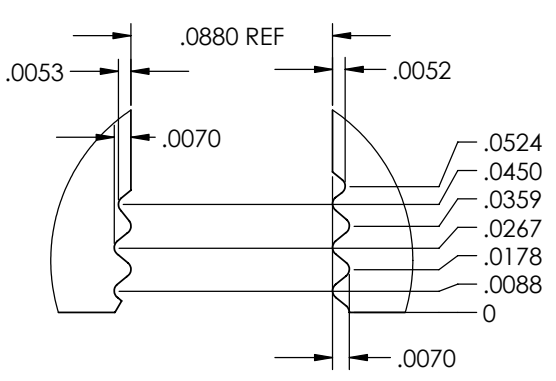
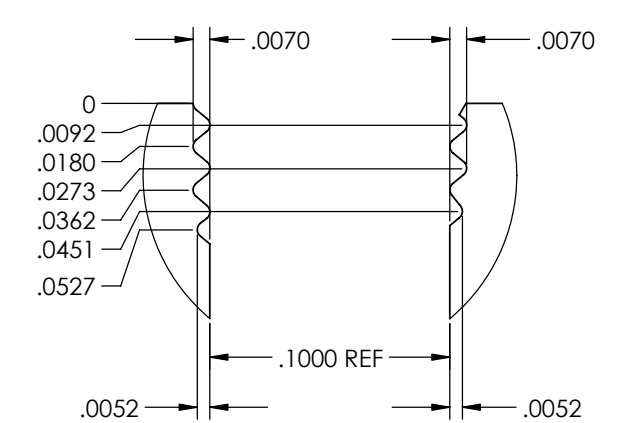


REVISIONS				
REV	ECO	DESCRIPTION	DATE	APPROVED
01		PROTOTYPE RELEASE	6/02/04	
A	10086	RELEASE FOR PRODUCTION	10/07/04	NLC
B	10181	ADDED -R01 AND -R02 ROHS COMPLIANT PARTS	4/5/06	NLC



	.020
	.004 / 1X1



- NOTES: (UNLESS OTHERWISE SPECIFIED)
- MATERIAL: ALUMINUM 6063-T5, PER ASTM B209-02A.
 - 001 AND -002 FINISH: CHROMIUM CONVERSION COATING PER ASTM B449-93, CLASS 3, CLEAR.
 - R01 AND -R02 FINISH: ROHS COMPLIANT CHROMIUM CONVERSION COATING, SIMILAR TO ASTM B449-93, CLASS 3, CLEAR, EXCEPT WITH REDUCED LEVELS OF HEXAVALENT CHROMIUM.
 - PARTS TO BE FREE OF NICKS, SCRATCHES, SHARP CORNERS, EDGES, BURRS, OIL AND GREASE.
 - ALL RADII ARE .020 UNLESS OTHERWISE SPECIFIED.
 - R01 AND -R02 FINAL FABRICATED PART MUST BE ROHS COMPLIANT.

DASH No.	DISCRPTION	EXTRUSION LENGTH REFERENCE
-002 AND -R02	CASE, FLAT TOP, X-SERIES, 4-CHANNEL	3.300
-001 AND -R01	CASE, FLAT TOP, X-SERIES, 8-CHANNEL	6.540

TOLERANCES ARE		
FRACTIONAL	DECIMAL	ANGULAR
X ± 1/32	XX ± 0.020	± 1°
	.XXX ± 0.010	
	.XXXX ± .003	

D2AUDIO

PROJECT: HEATSINK, FLAT TOP, X-SERIES

APPROVALS: ACW (DRAWN), NLC (CHECKED)

DATE: 06-01-04

DATE: 06-30-04

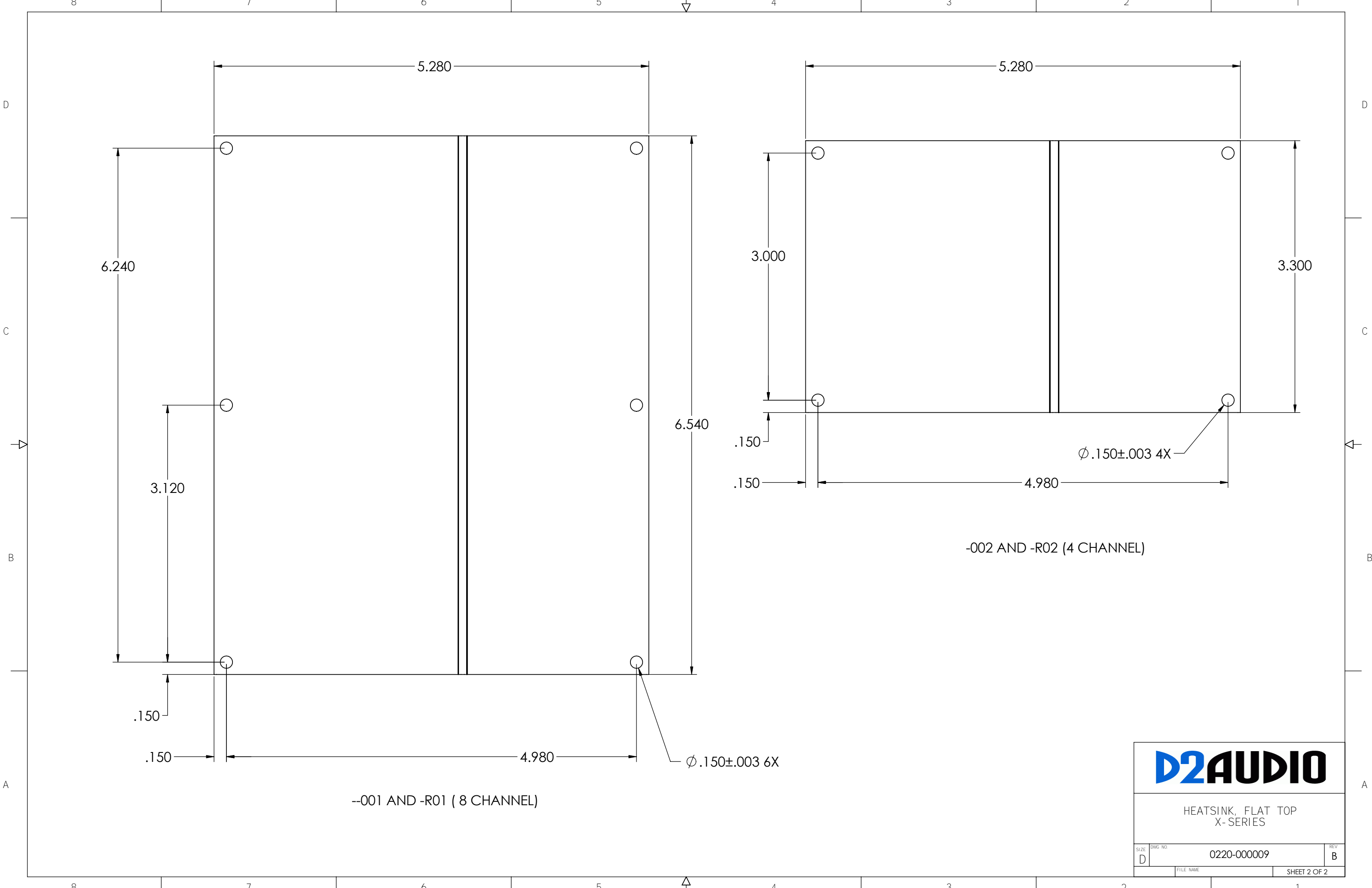
FILE NAME: 0220-000009

SCALE: 1:1

SHEET 1 OF 2

PROPRIETARY NOTICE
THIS DRAWING IS THE PROPERTY OF D2 AUDIO CORP AND IS TO BE RETURNED UPON DEMAND OR TERMINATION OF THE TRANSACTION FOR WHICH IT WAS FURNISHED. USE OF ANY INFORMATION CONTAINED ON THIS DRAWING FOR ANY PURPOSE OTHER THAN EXPRESSLY AUTHORIZED IN WRITING BY D2 AUDIO CORP IS PROHIBITED.

APPLICATION	DO NOT SCALE DRAWING



--001 AND -R01 (8 CHANNEL)

--002 AND -R02 (4 CHANNEL)

$\phi .150 \pm .003$ 6X

$\phi .150 \pm .003$ 4X



HEATSINK, FLAT TOP
X-SERIES

SIZE D	DWG NO. 0220-000009	REV B
FILE NAME		SHEET 2 OF 2