

LV LINE
XFMR

UN-REGULATED
LINEAR PS

SPEAKER
OUTPUTS 1-4

SPEAKER
OUTPUTS 5-7

GND +HV

GND

+17V

120V AC

HV LINE
XFMR

HEAT SINK

DAE-2

DAE-2

VOLUME
CONTROL

SPDIF
IN OUT

BALANCED ANALOG INPUTS

SUBWOOFER
OUTPUT

USB

COAX

OPT

OPT

1

2

3

4

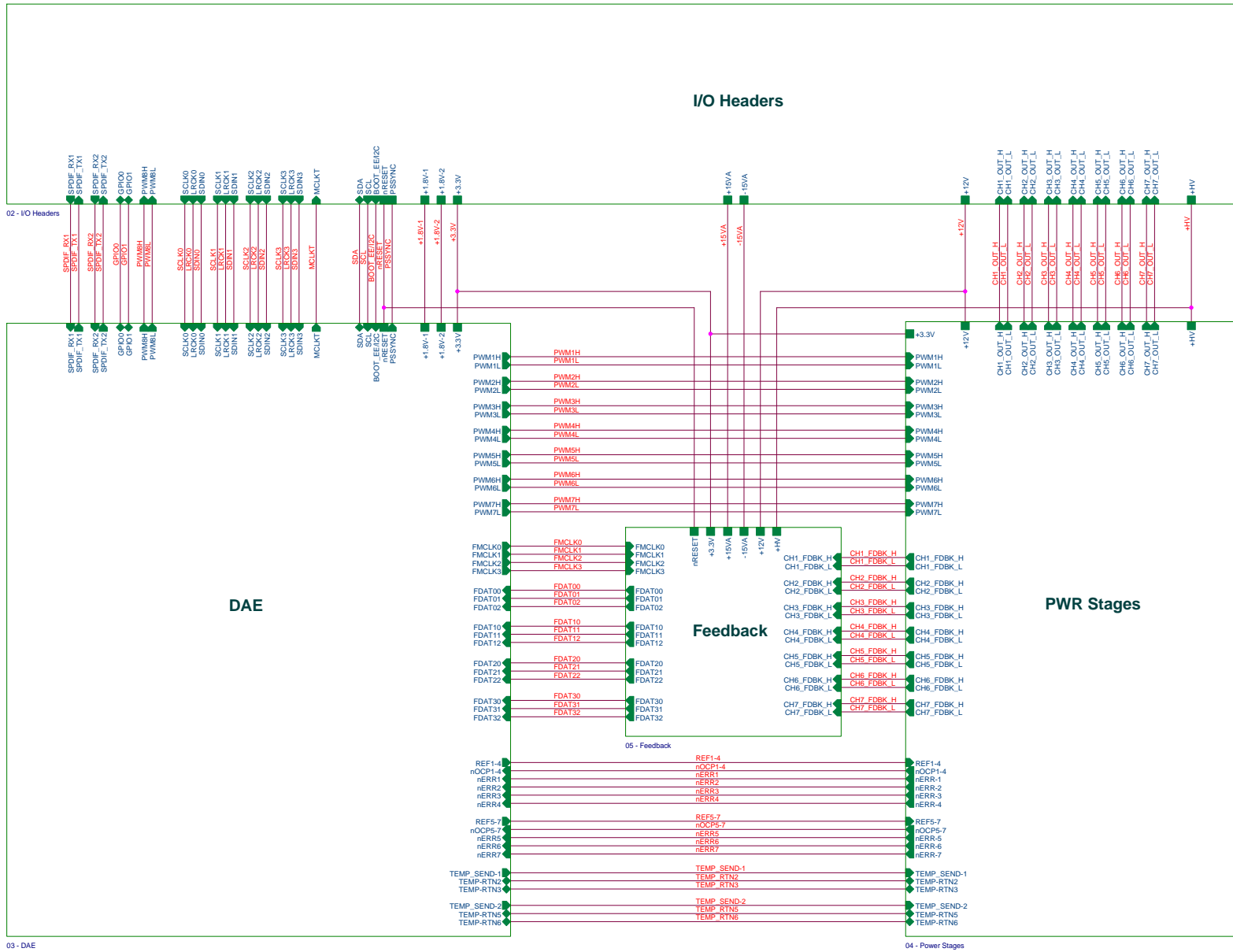
5

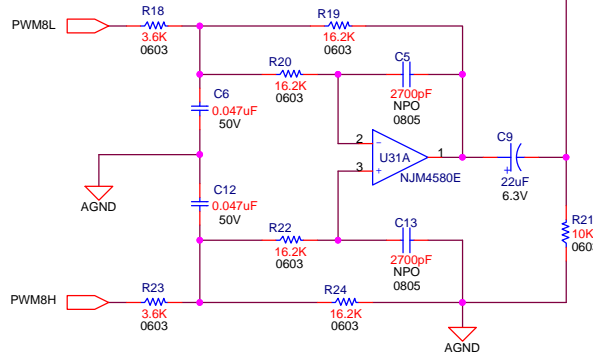
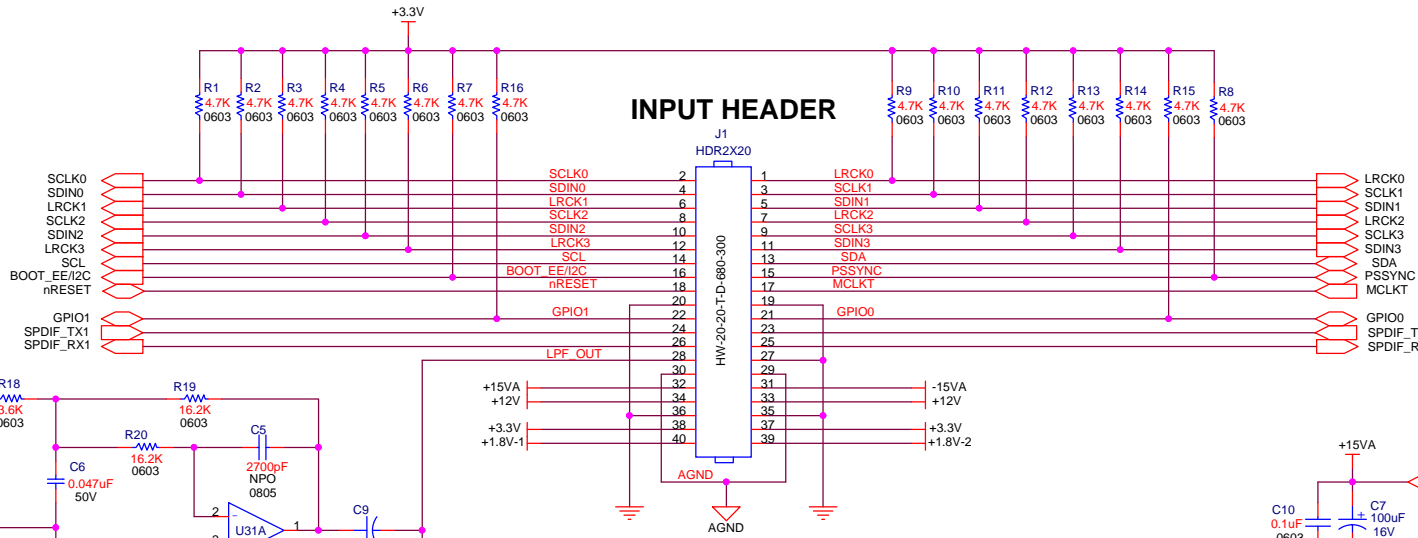
6

7

8

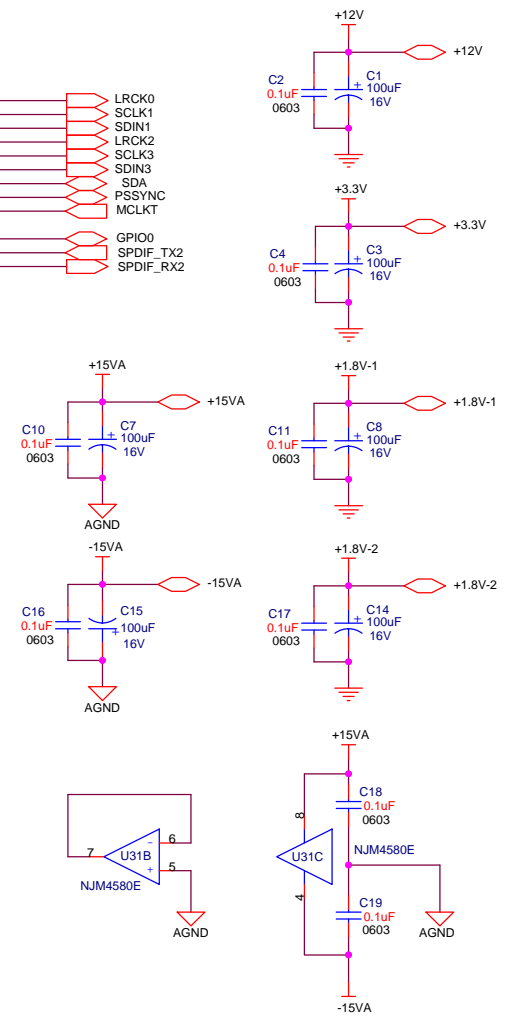
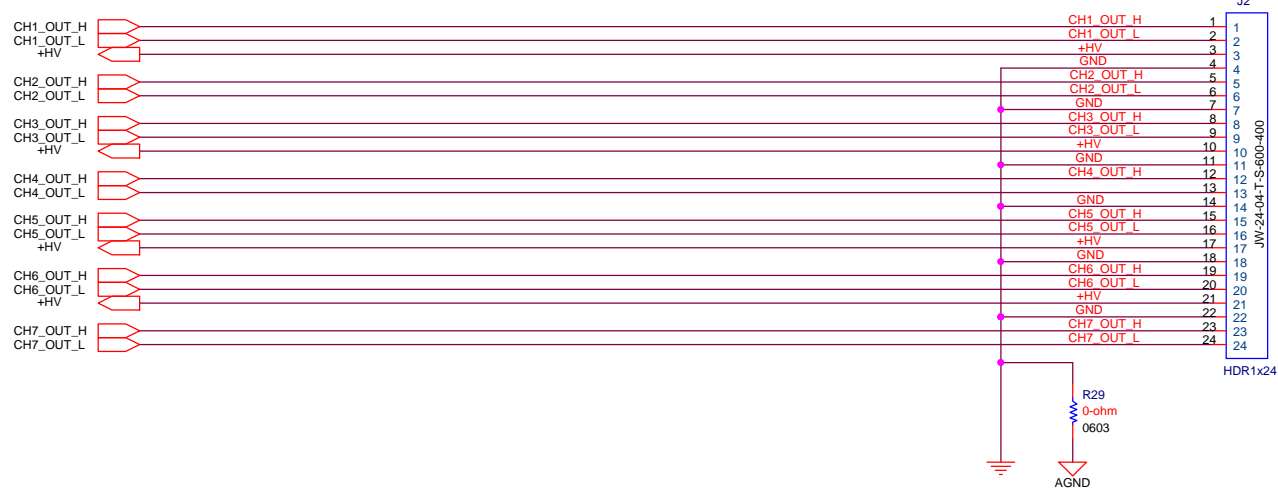
SUB





* SUB OUTPUT:
 With +/-15V Rail; $V_{in} = -0.8\text{dBFS}$ (SPDIF)
 $V_{out} = 9\text{Vrms}$; THD = 0.01% @ 1kHz
 SNR = 106dB (Ref = 9Vrms) No other channels switching
 SNR = 99~100dB with other channels switching;
 Freq. Resp. = 800 Hz (-3dB)

OUTPUT HEADER

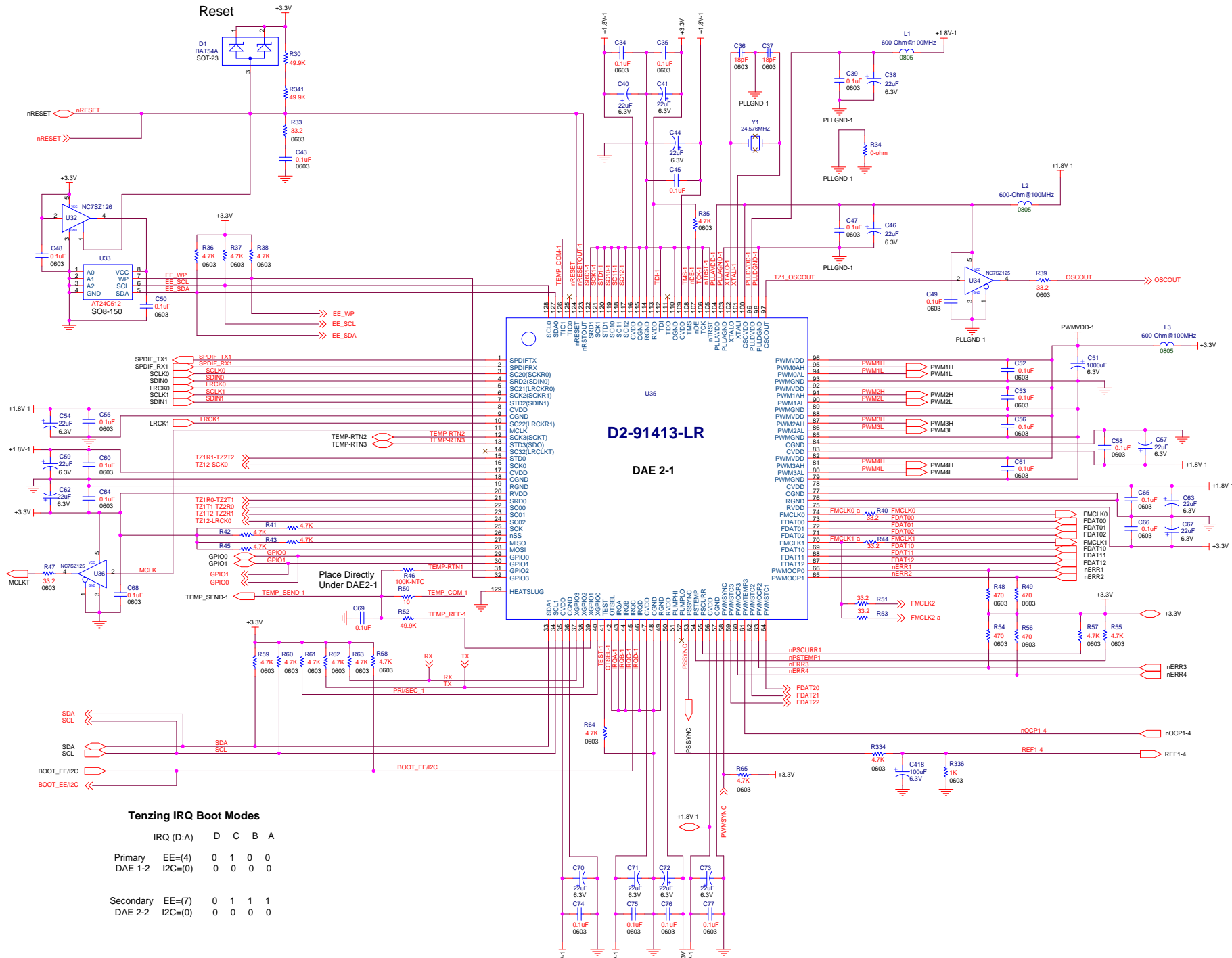


D2AUDIO
 D2Audio
 7600 B Capital Of Texas HWY N
 Suite 130
 Austin, TX 78731

Title: **HPMCRD 150-7 Rev-3** D2Audio-BLO

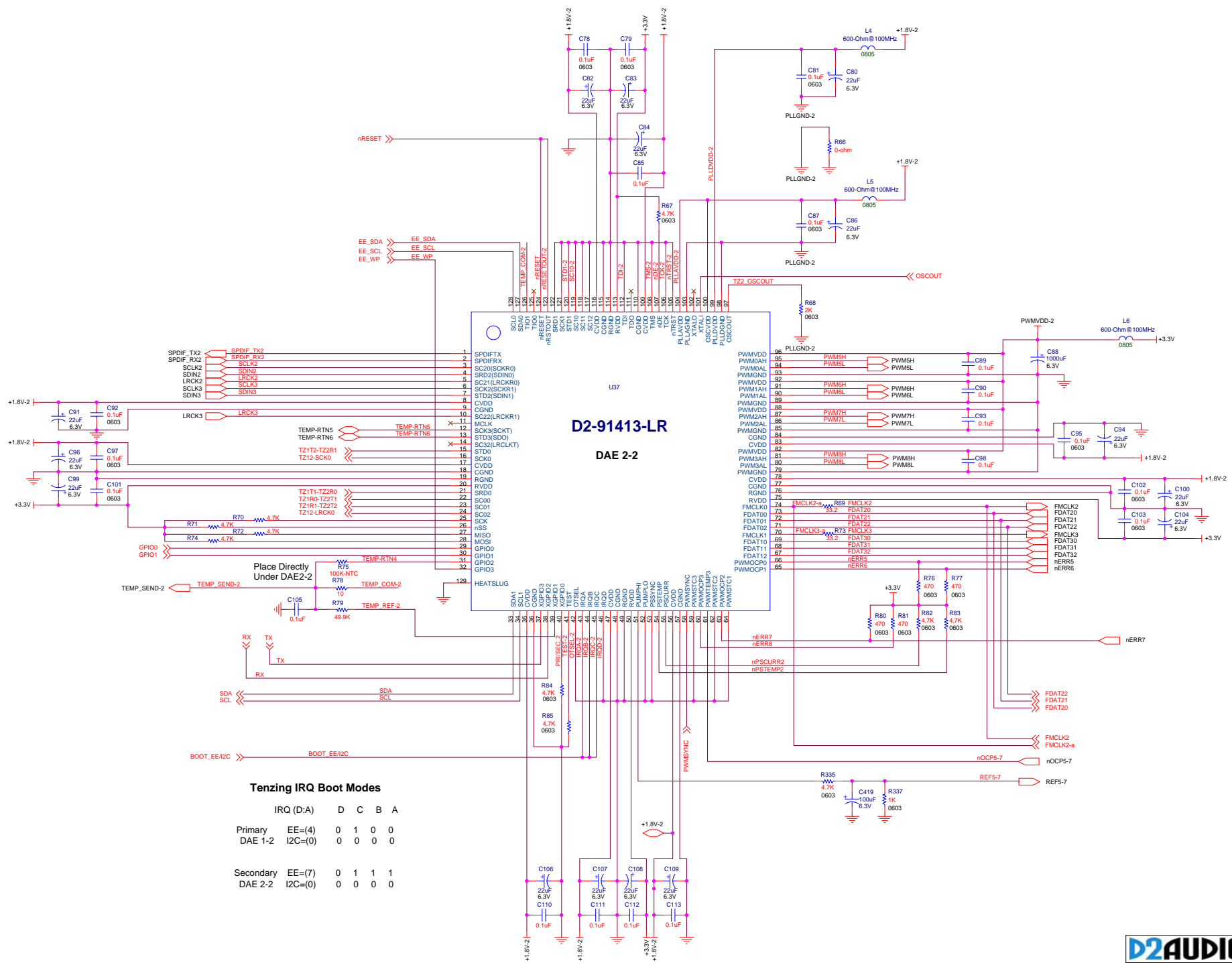
Size B	Document Number 0070-C00138-000	Input/Output Headers	Rev 03
--------	------------------------------------	----------------------	-----------

Date: Monday, November 03, 2008 Sheet 3 of 14



Tenzing IRQ Boot Modes

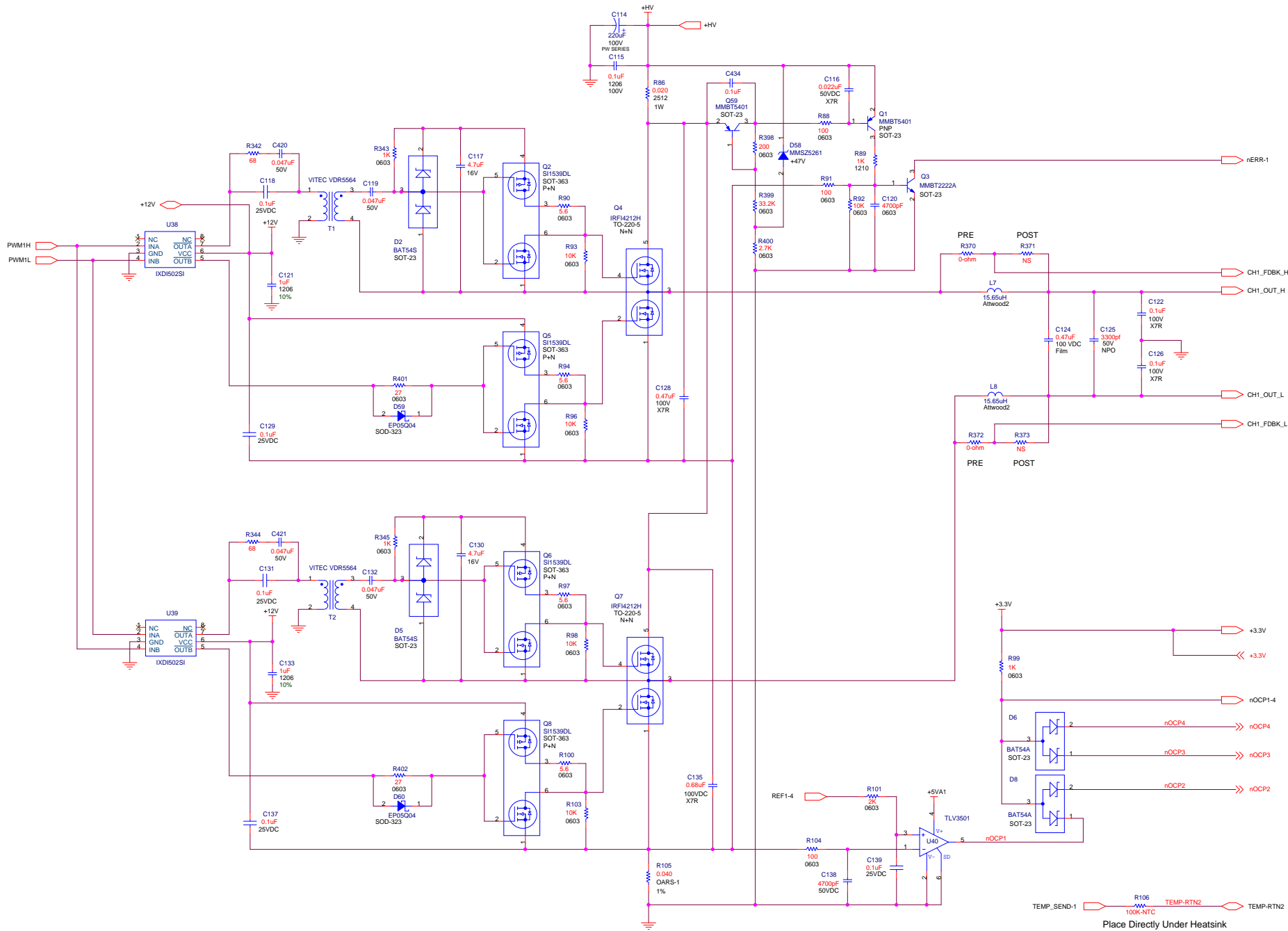
IRQ (D-A)	D	C	B	A
Primary	EE=(4)	0	1	0
DAE 1-2	I2C=(0)	0	0	0
Secondary	EE=(7)	0	1	1
DAE 2-2	I2C=(0)	0	0	0



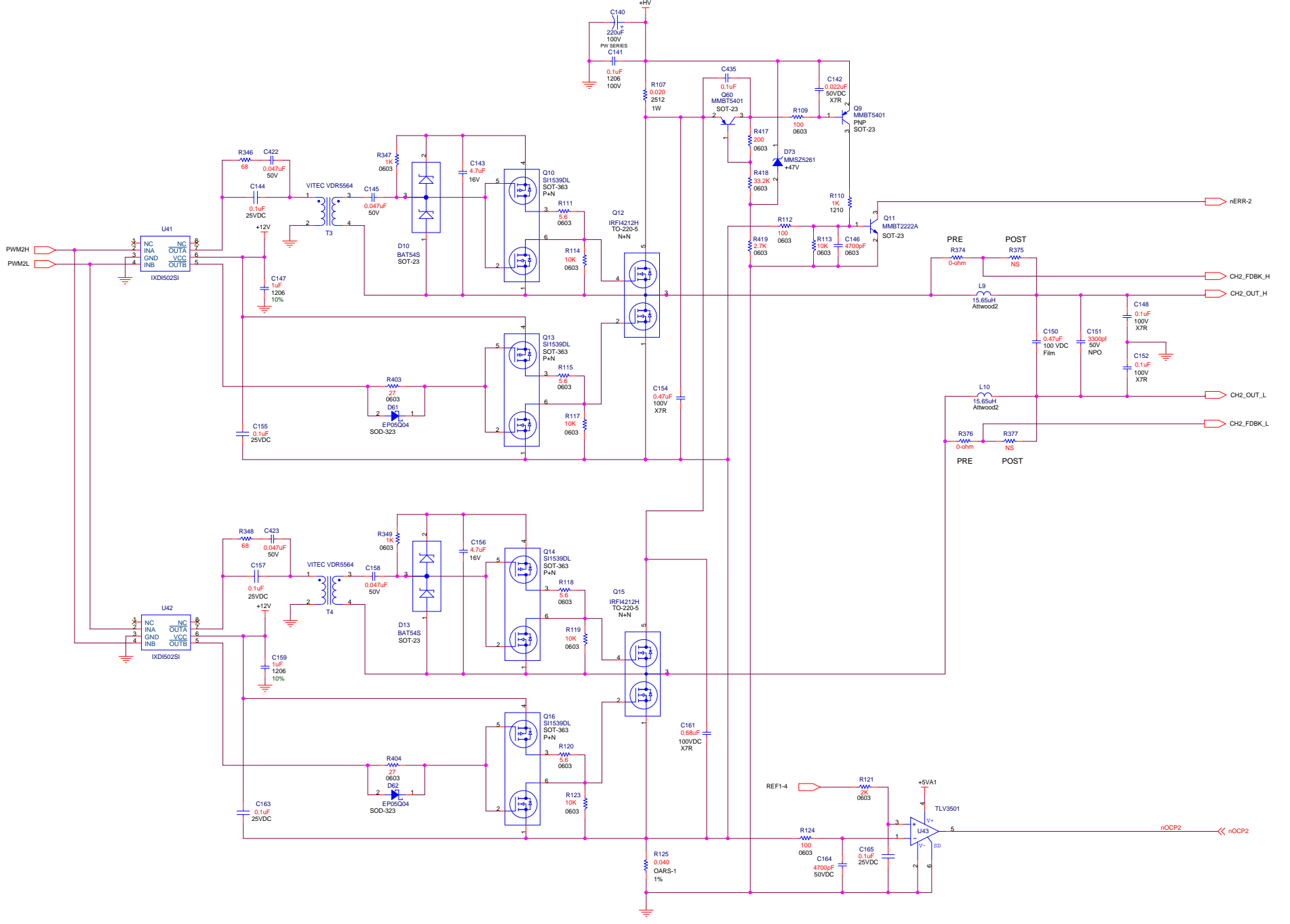
D2-91413-LR
DAE 2-2

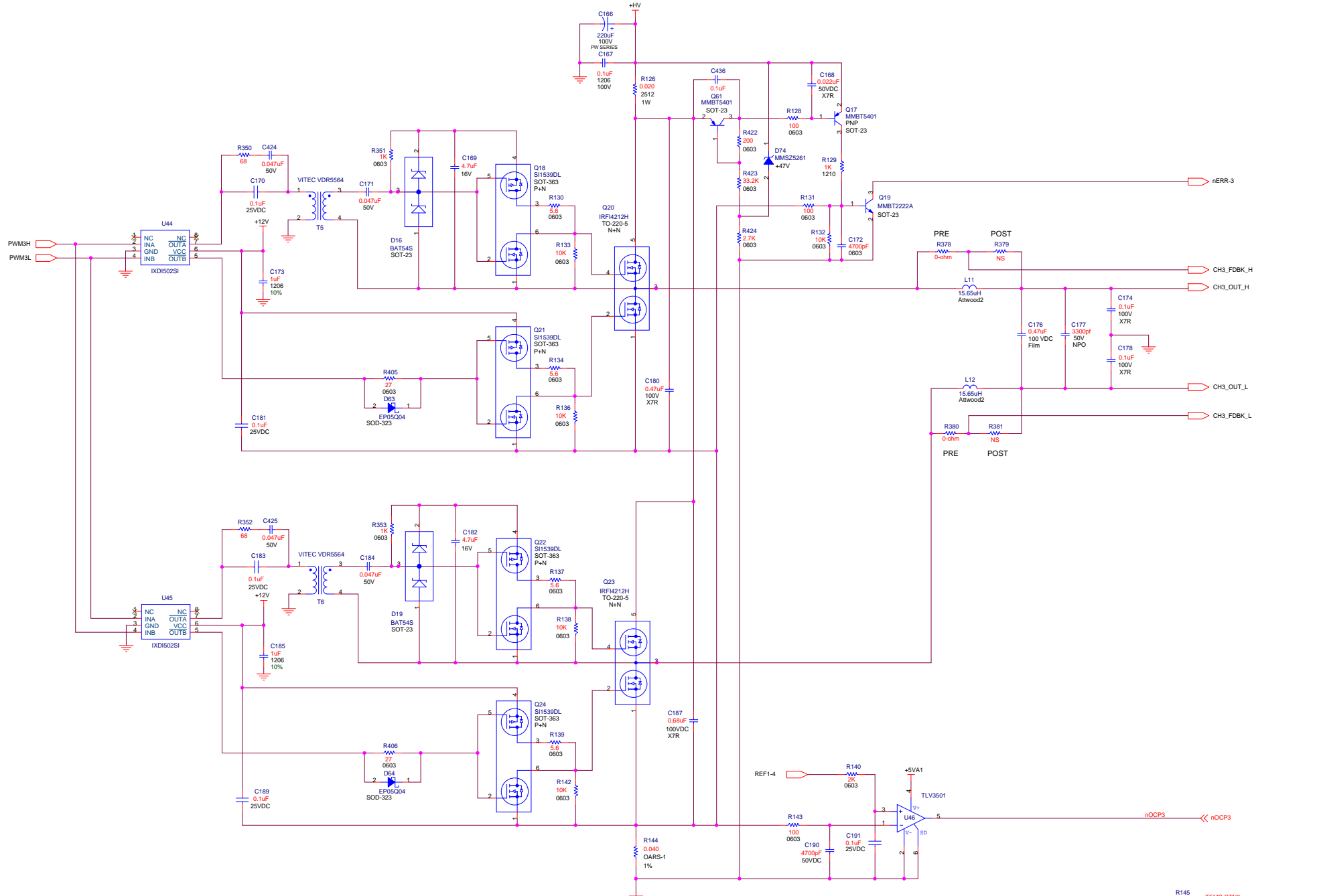
Tenzing IRQ Boot Modes

	IRQ (D:A)	D	C	B	A
Primary	EE=(4)	0	1	0	0
DAE 1-2	I2C=(0)	0	0	0	0
Secondary	EE=(7)	0	1	1	1
DAE 2-2	I2C=(0)	0	0	0	0



R106 TEMP-RTN2
 100K-NTC
 Place Directly Under Heatsink
 Between CH1 and CH2

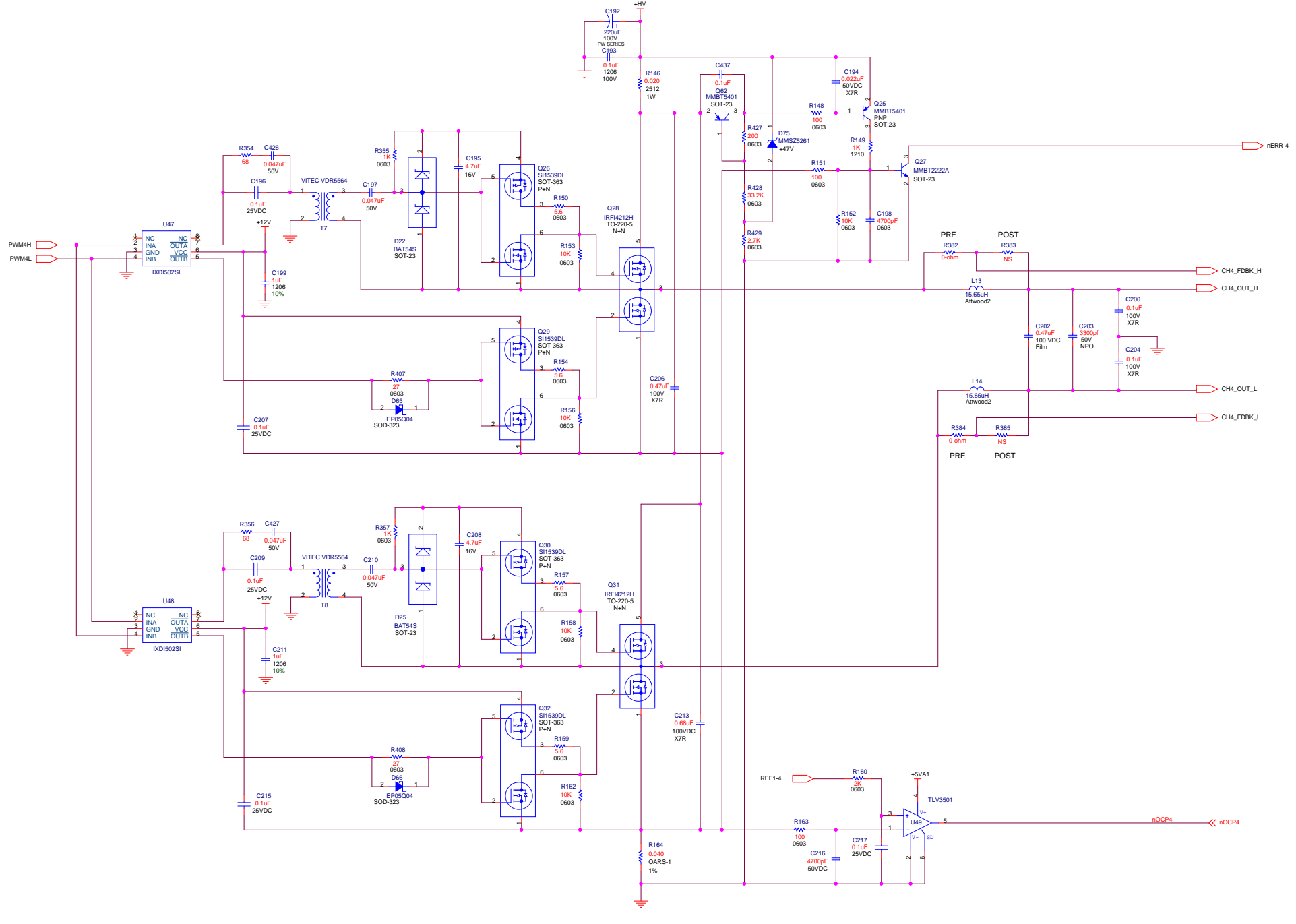


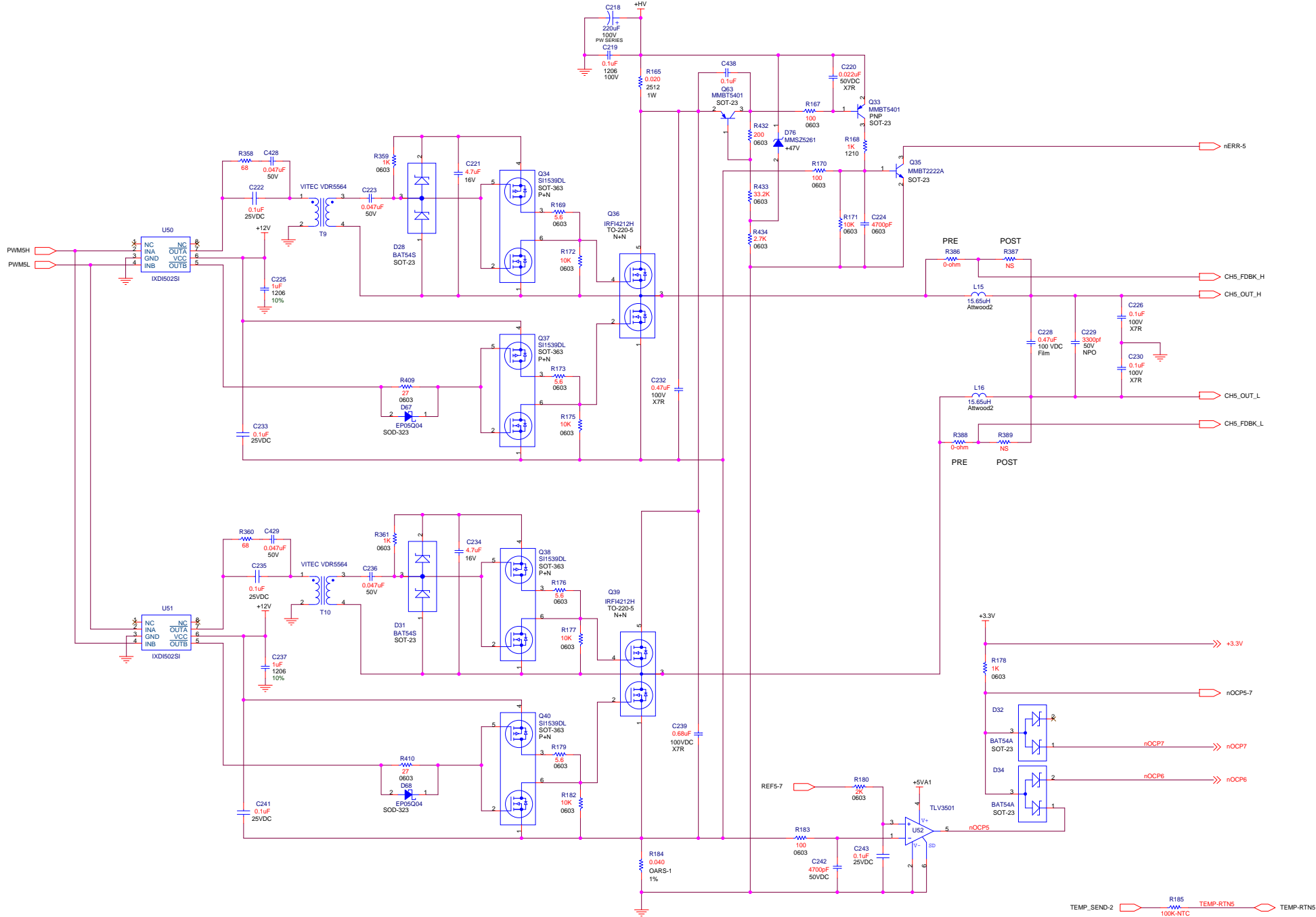


TEMP_SEND-1 R145 TEMP-RTN3 TEMP-RTN3

Place Directly Under Heatsink
Between CH3 and CH4

		D2Audio 7600 B Capital Of Texas HWY N Suite 130 Austin, TX 78731	
		file HPMCRD 150-7 Rev-3	D2Audio-BLO
Size C	Document Number 0070-C00138-000	FB Power Stage 3	Rev 03
Date:	Monday, November 03, 2008	Sheet	8 of 14

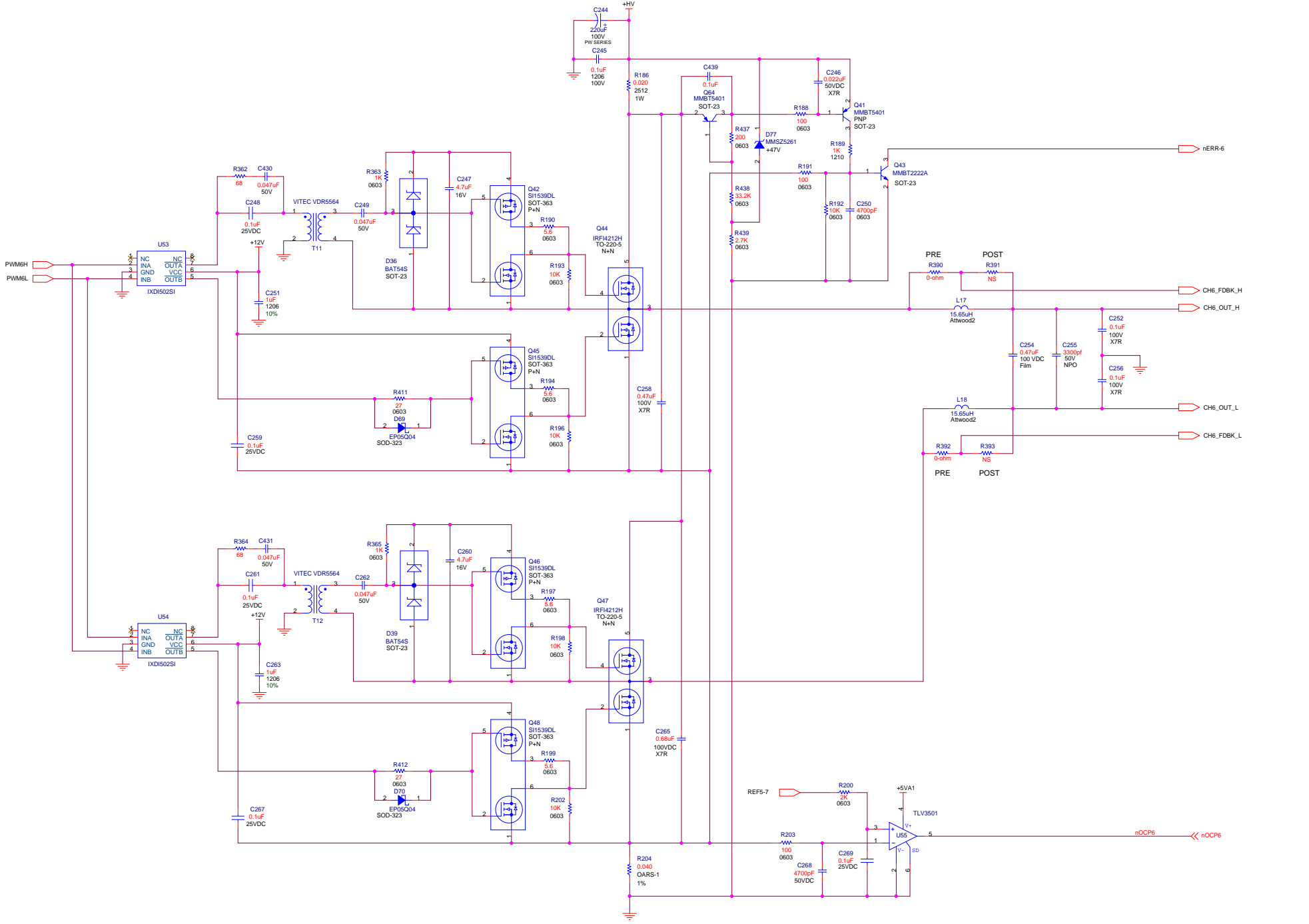


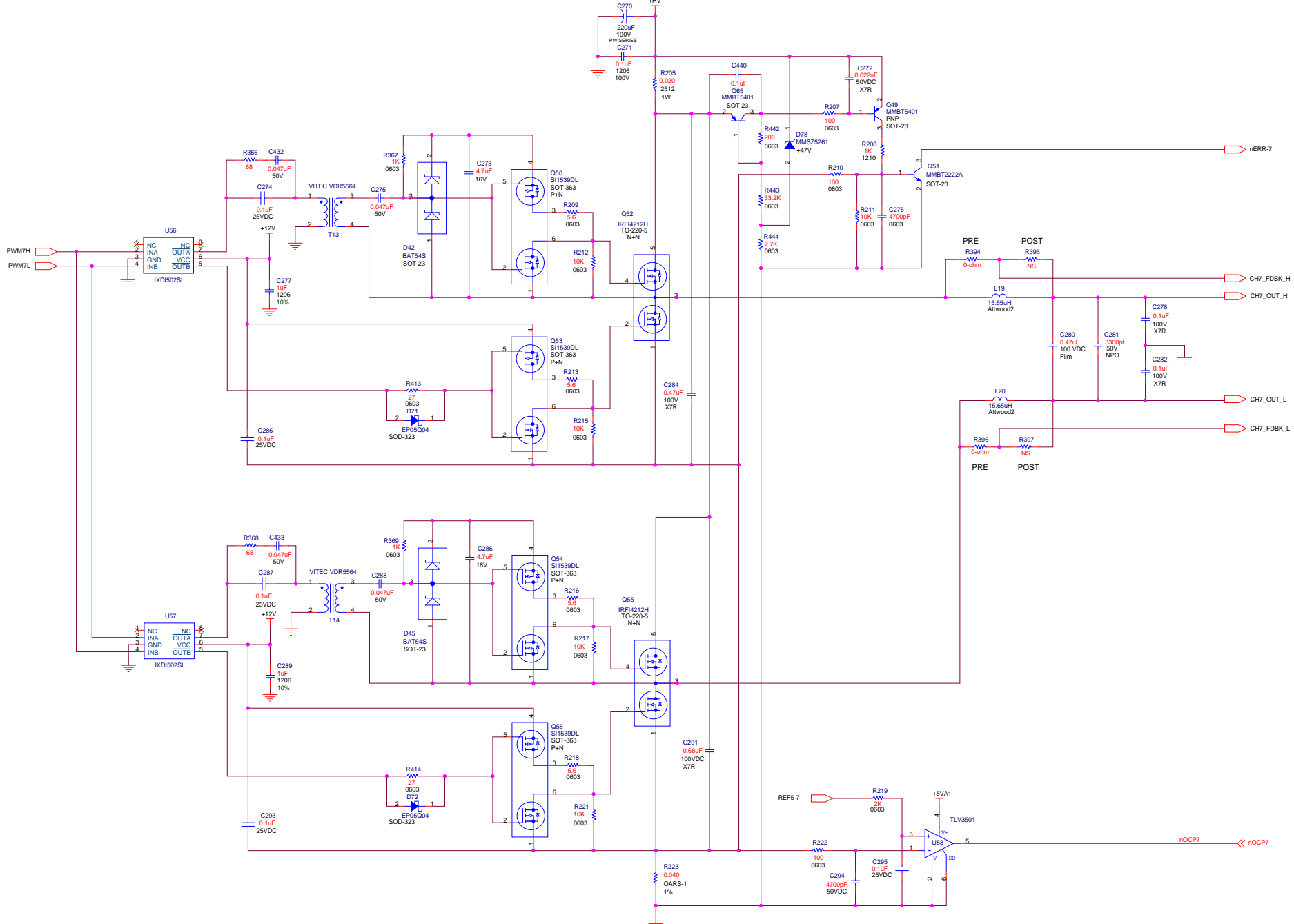


TEMP_SEND-2 \leftarrow R185 \leftarrow TEMP-RTNS \leftarrow TEMP-RTNS
 100K-NTC

Place Directly Under Heatsink
 Between CH5 and CH6

		D2Audio 7600 B Capital Of Texas HWY N Suite 130 Austin, TX, 78731	
		Title HPMCRD 150-7 Rev-3	Document Number 0070-C00138-000
Date Monday, November 03, 2008	Sheet 10 of 14	D2Audio-BLO	





TEMP_SEND-2 \leftarrow R224 \leftarrow TEMP-RTN6 \leftarrow TEMP-RTN6
 100K-NTC

Place Directly Under Heatsink at CH7

		D2Audio 7600 B Capital Of Texas HWY N Suite 130 Austin, TX 78731	
		Title HPMCRD 150-7 Rev-3	D2Audio-BL0
Size C	Document Number 0070-C00138-000	FB Power Stage 7	Rev 03
Date Monday, November 03, 2008	Sheet 12	of 14	

