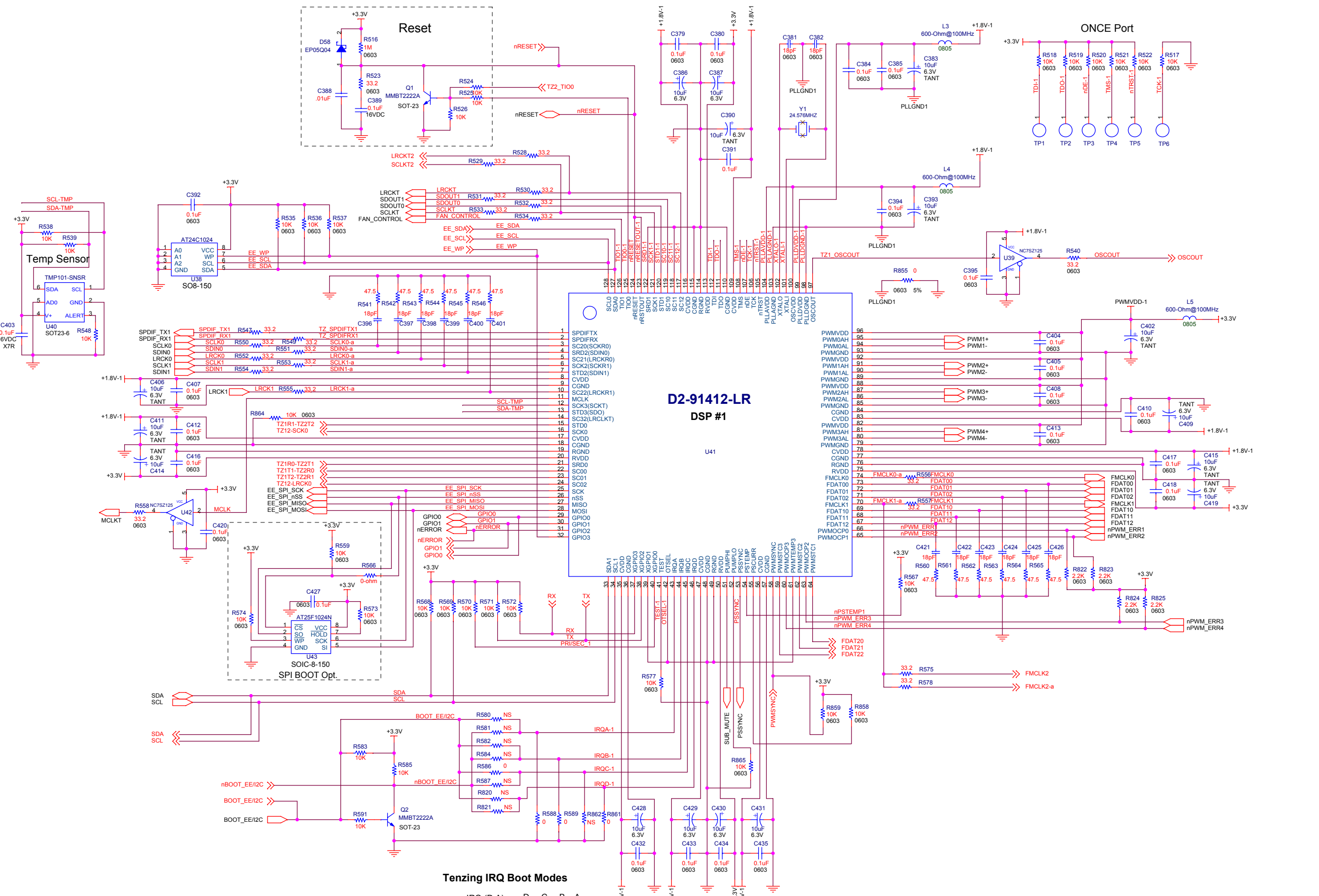


J1
HVR1x24

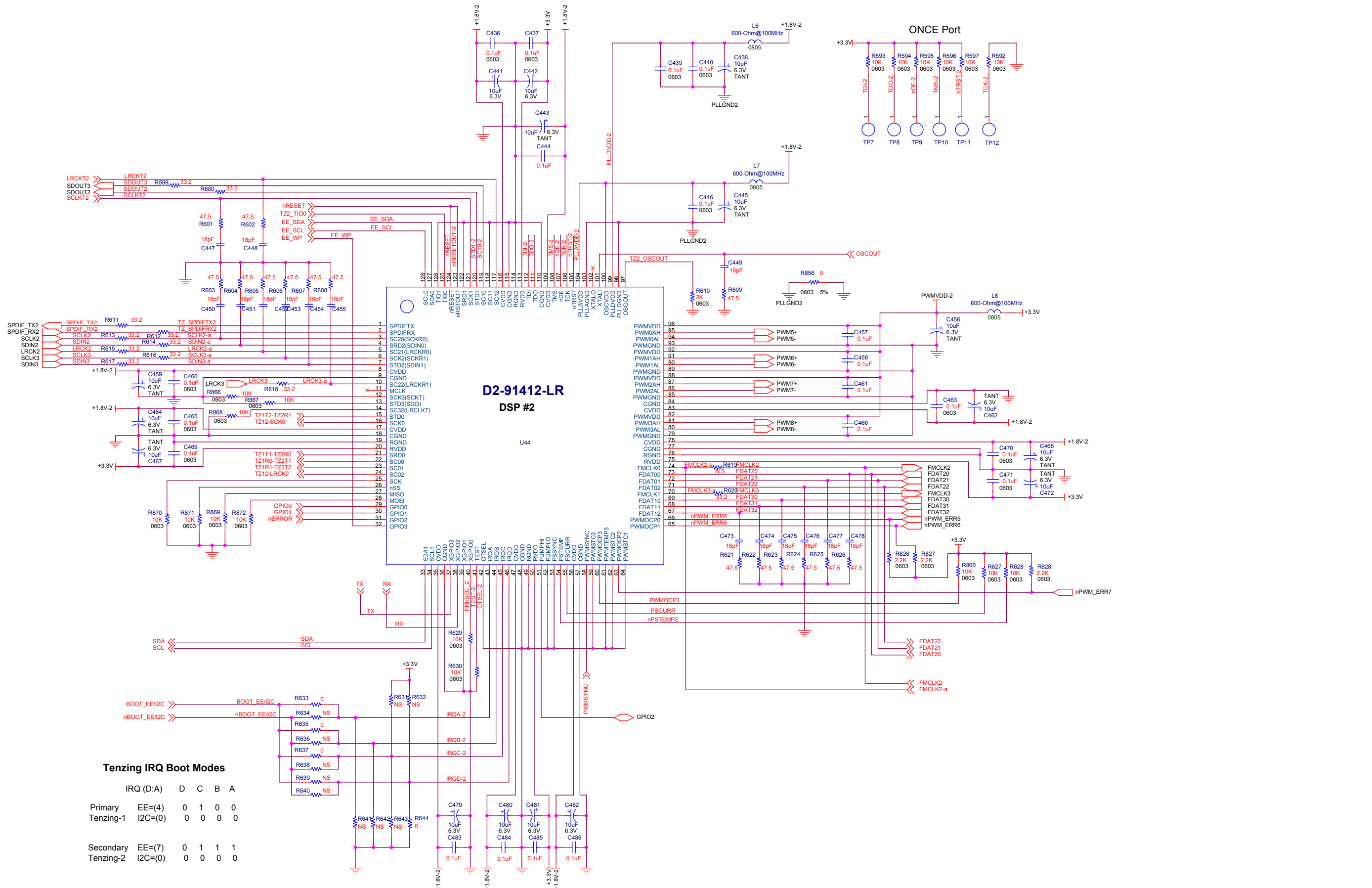
J2
HDR2X20
HW-20-20-T-D-680-300
HVR2X20

J3
HDR 6X2
06-20-680-300



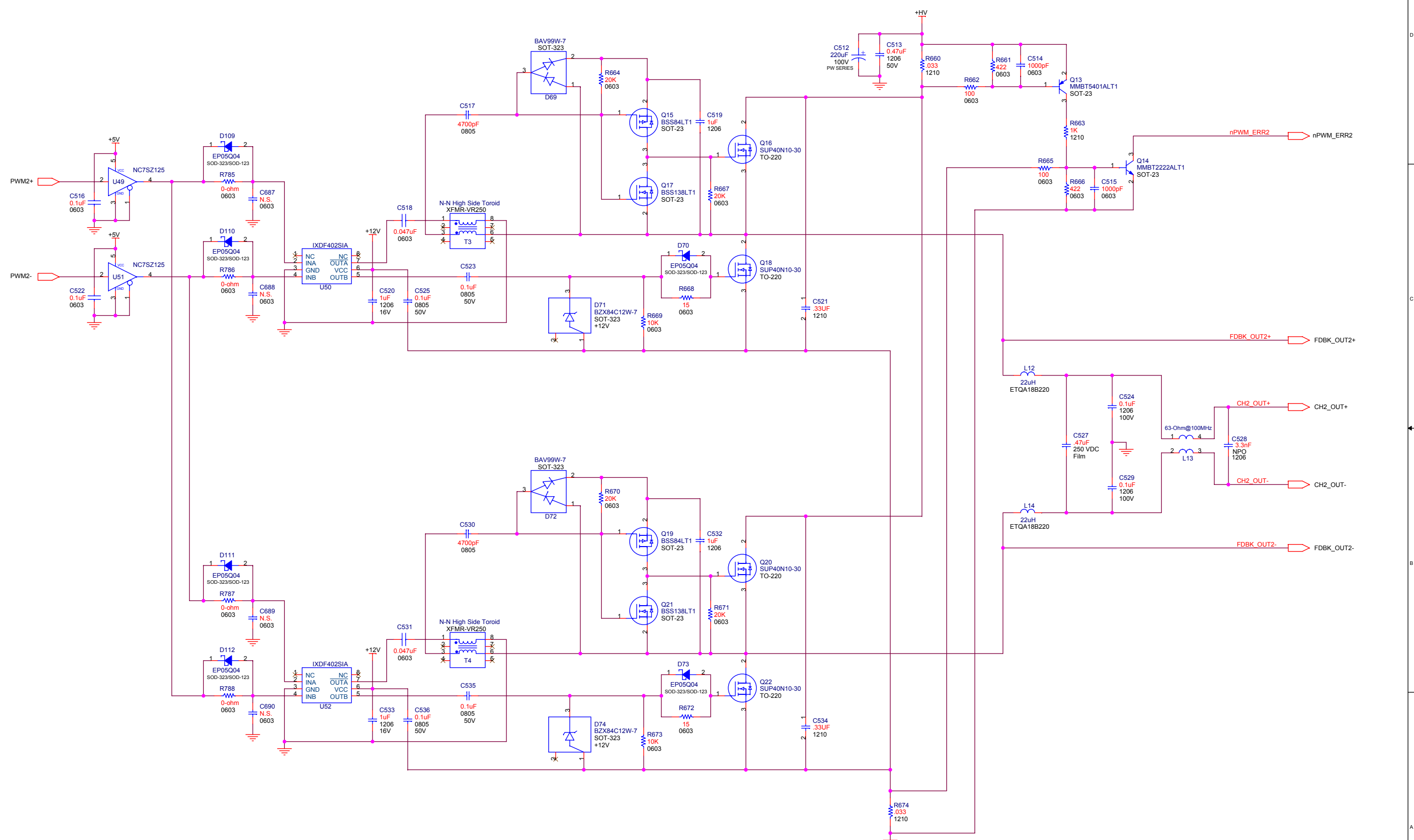
Tenzing IRQ Boot Modes

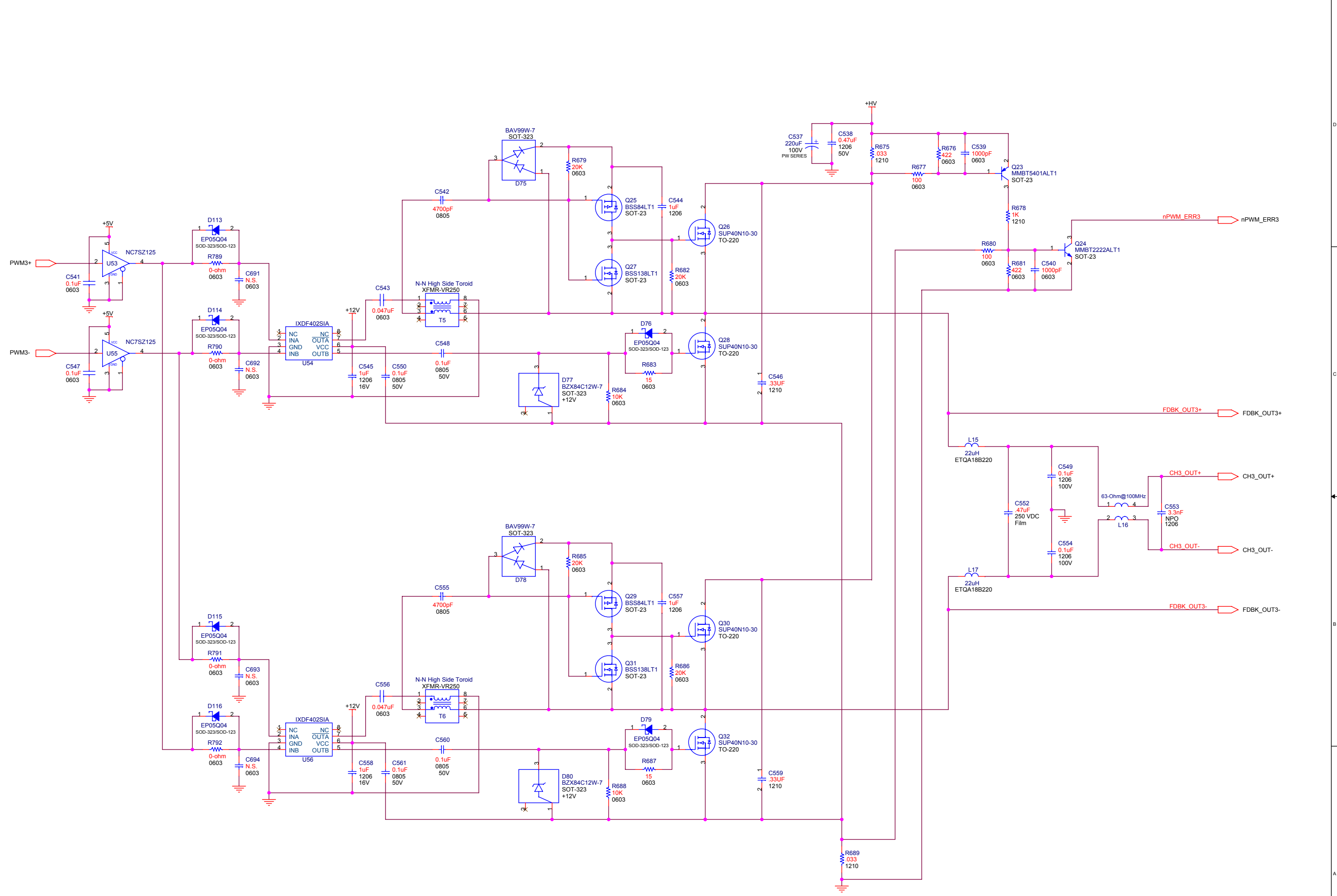
IRQ (D:A)	D	C	B	A	
Primary	EE=(4)	0	1	0	0
Tenzing-1	I2C=(0)	0	0	0	0
Secondary	EE=(7)	0	1	1	1
Tenzing-2	I2C=(0)	0	0	0	0

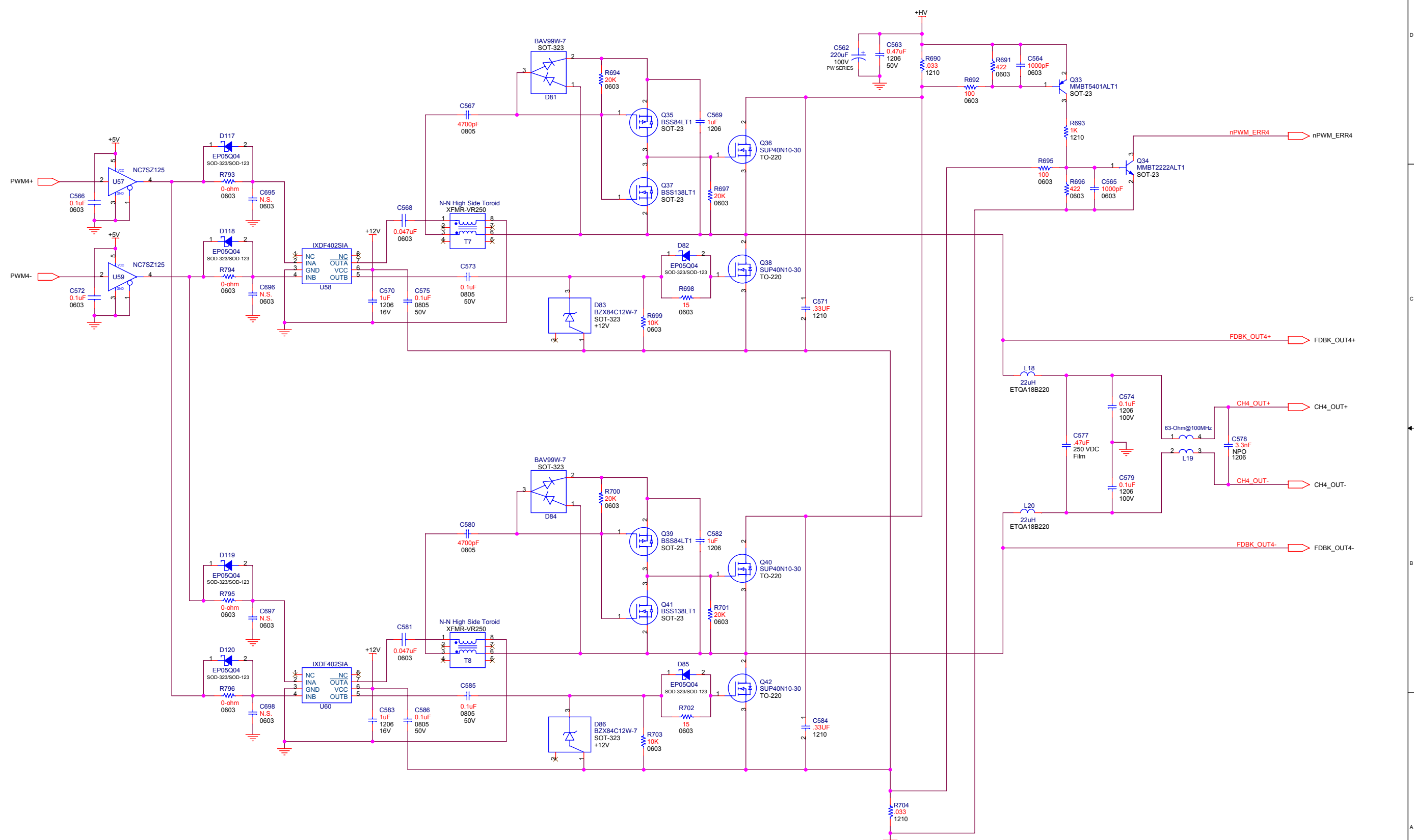


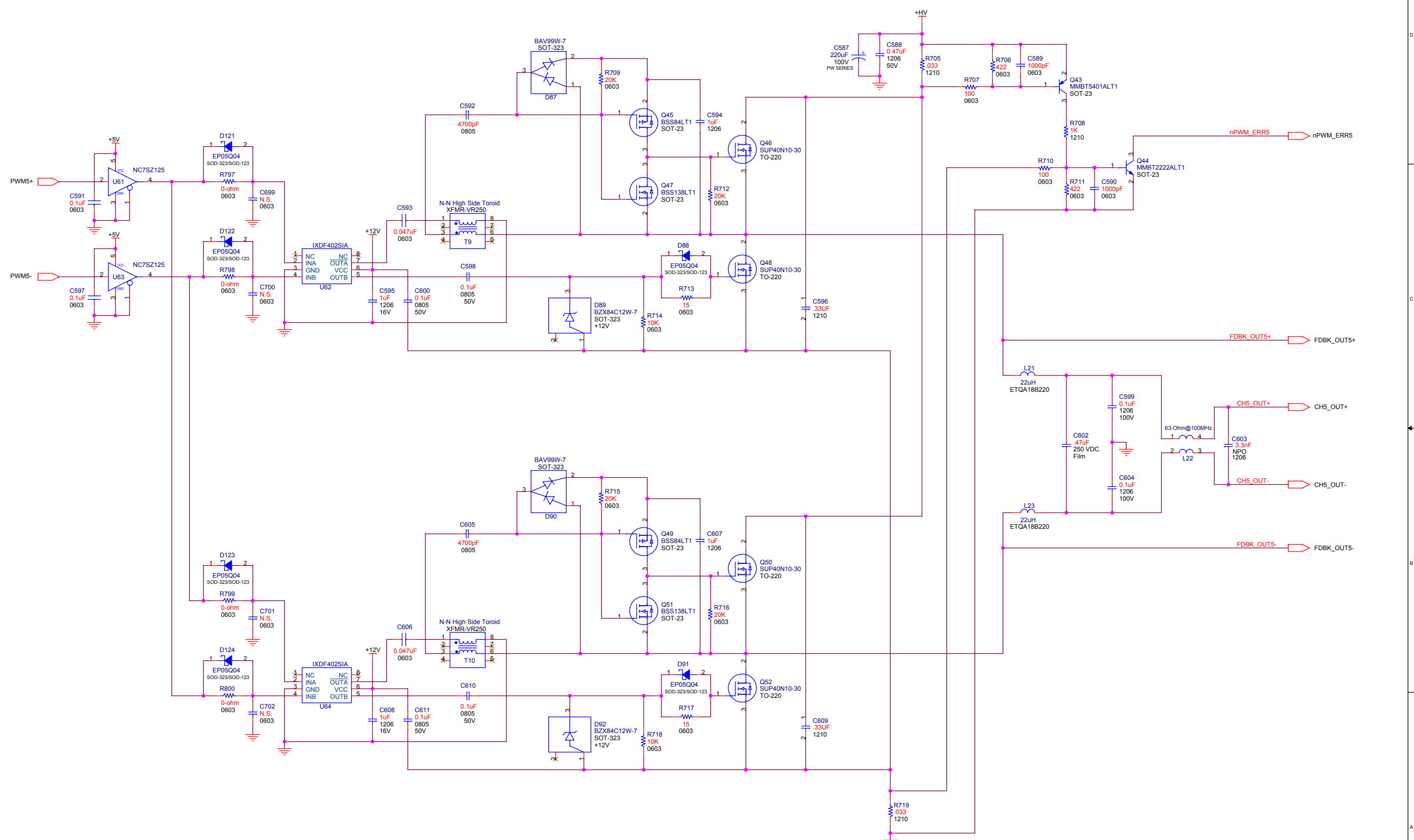
Tenzing IRQ Boot Modes

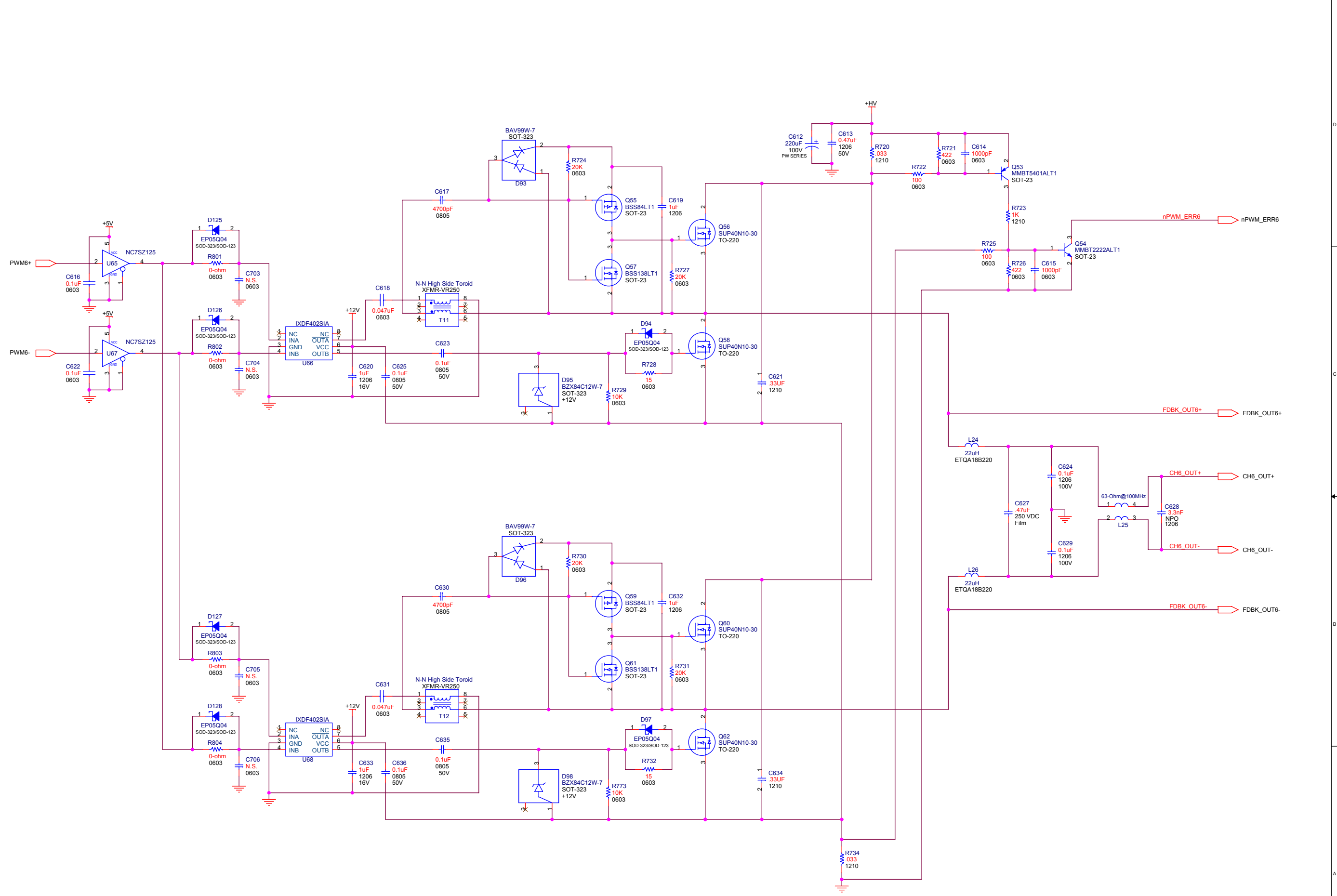
IRQ (D:A)	D	C	B	A	
Primary	EE=(4)	0	1	0	0
Tenzing-1	I2C=(0)	0	0	0	0
Secondary	EE=(7)	0	1	1	1
Tenzing-2	I2C=(0)	0	0	0	0

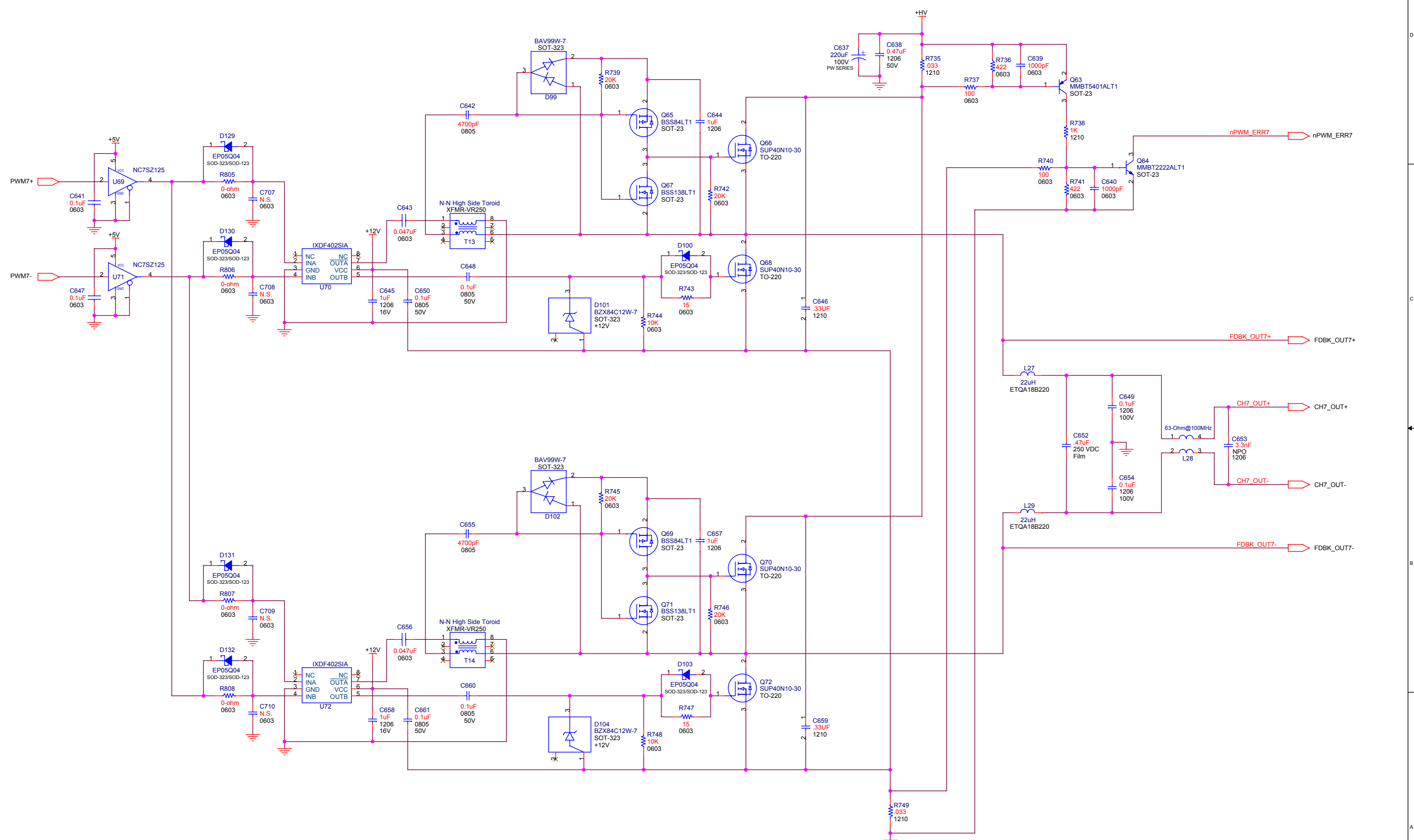




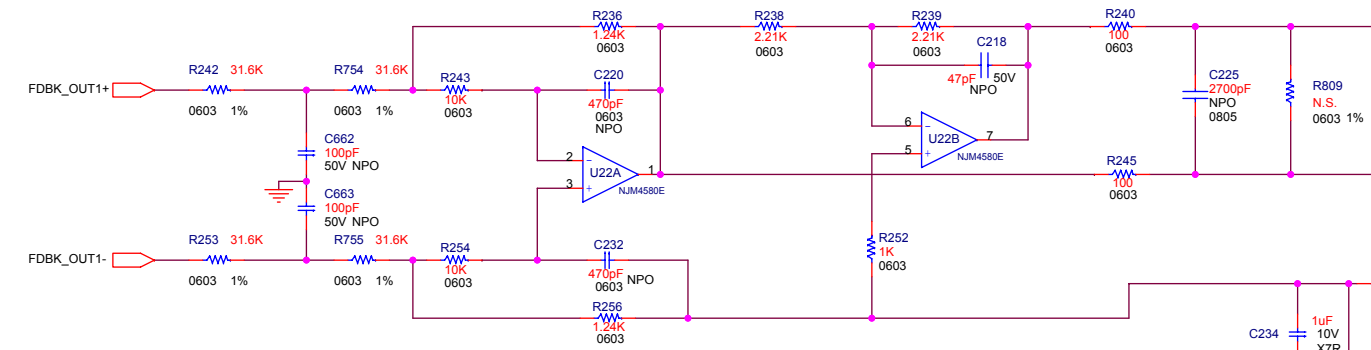




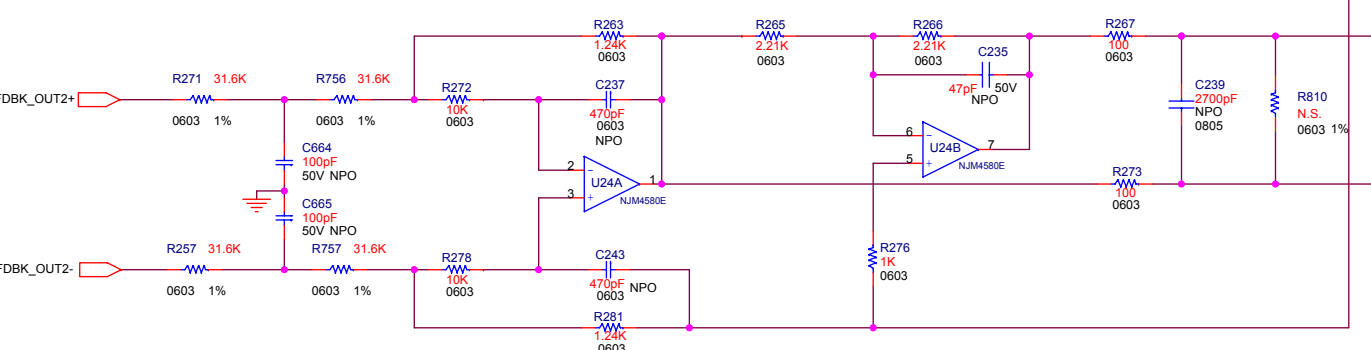




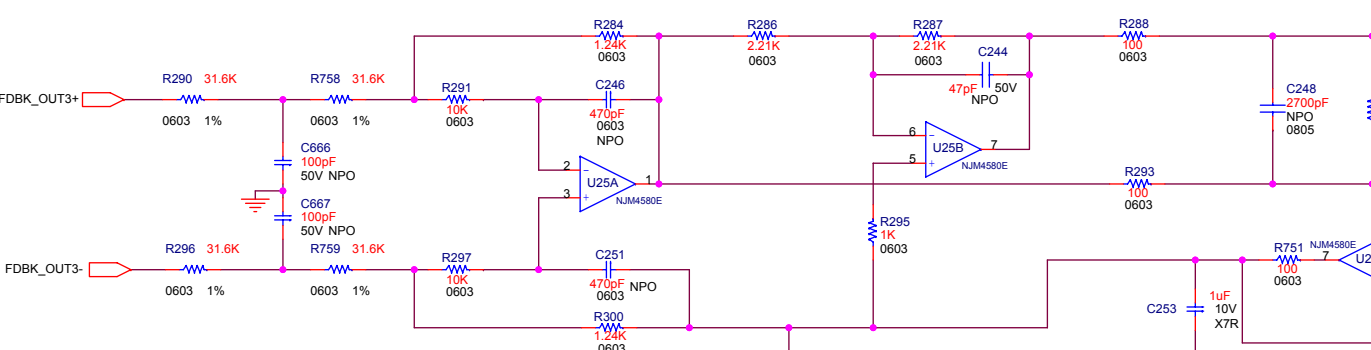
CHANNEL 1



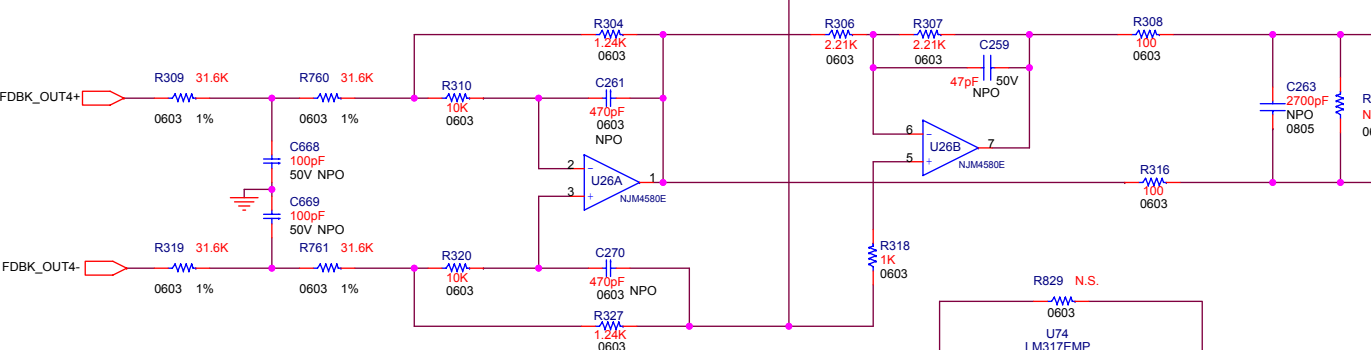
CHANNEL 2



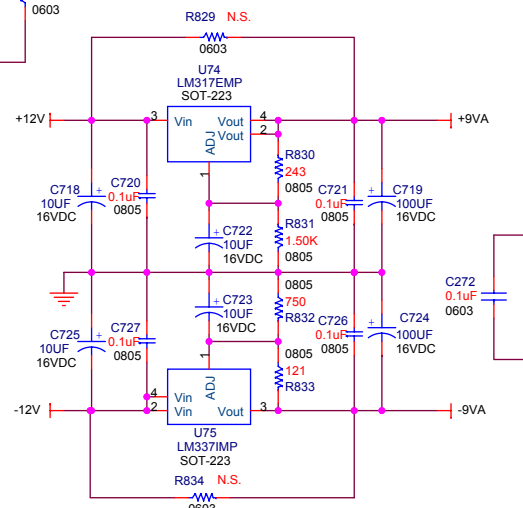
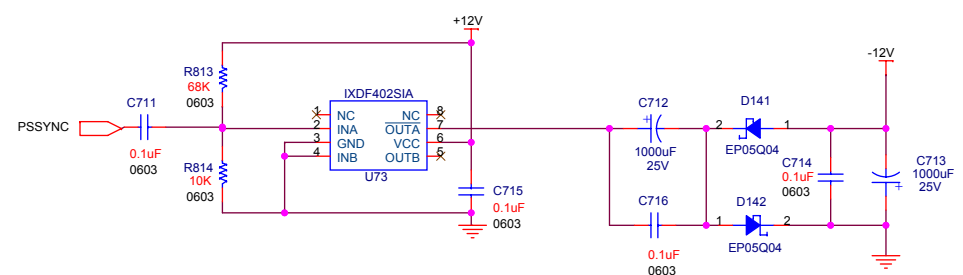
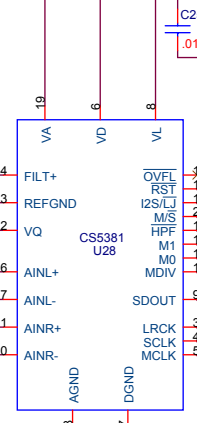
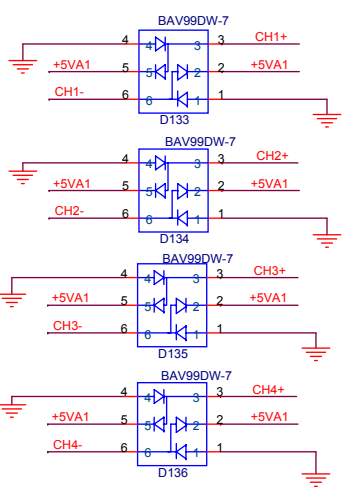
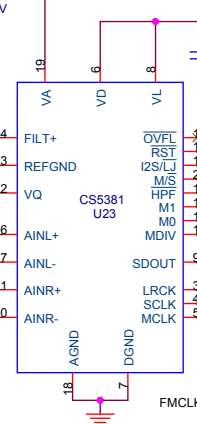
CHANNEL 3



CHANNEL 4



LM1117MPX-5.0 (SOT-223)
Current Requirements: 82 mA (2xADC + 5 OpAmps)
Power Dissipation: 0.575W (7V*82mA) From +12V Source.

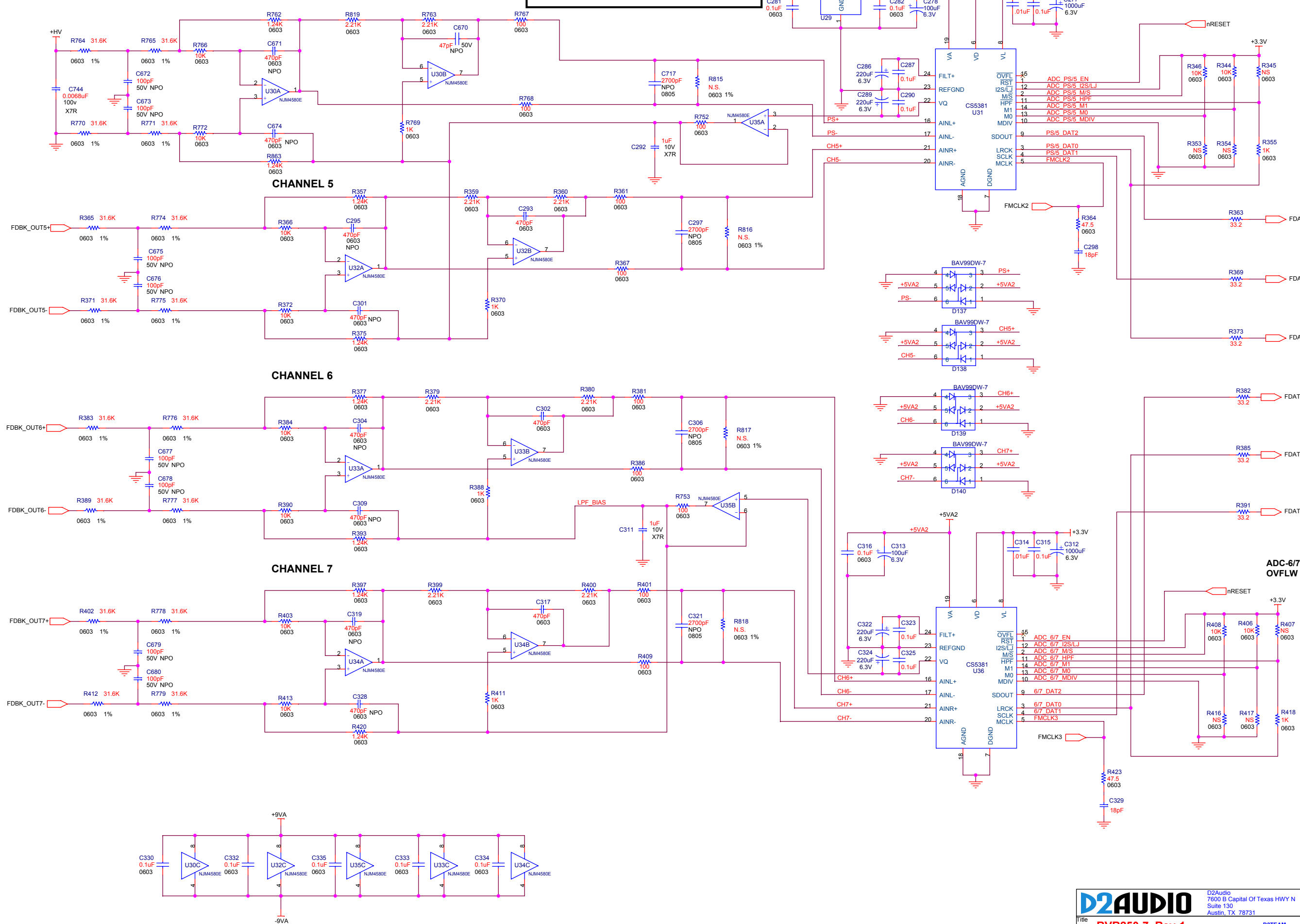


Power Supply FDFWD

LM1117MPX-5.0 (SOT-223)
Current Requirements: 82 mA (2xADC + 5 OpAmps)
Power Dissipation: 0.575W (7V*82mA) From +12V Source.

ADC-PS/5
OVFLW

ADC-6/7
OVFLW



D2AUDIO
D2Audio
7600 B Capital Of Texas HWY N
Suite 130
Austin, TX 78731

Title: **RVR250-7 Rev-1** D2TEAM

Size C	Document Number 0070-C00088-000	Feedback-2	Rev 01
--------	---------------------------------	------------	--------

Date: Friday, November 18, 2005 Sheet 13 of 14

