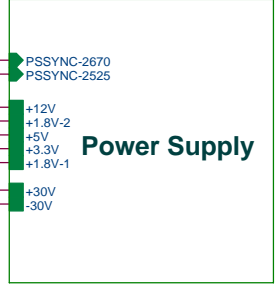
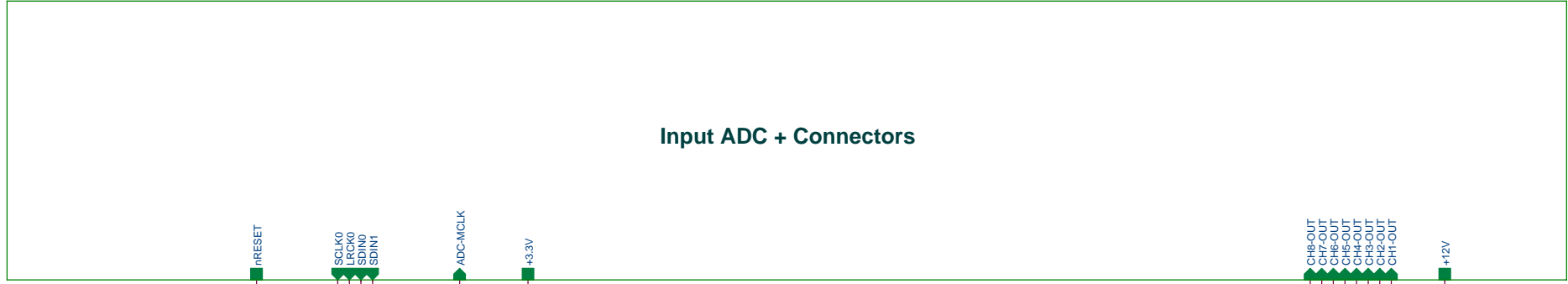
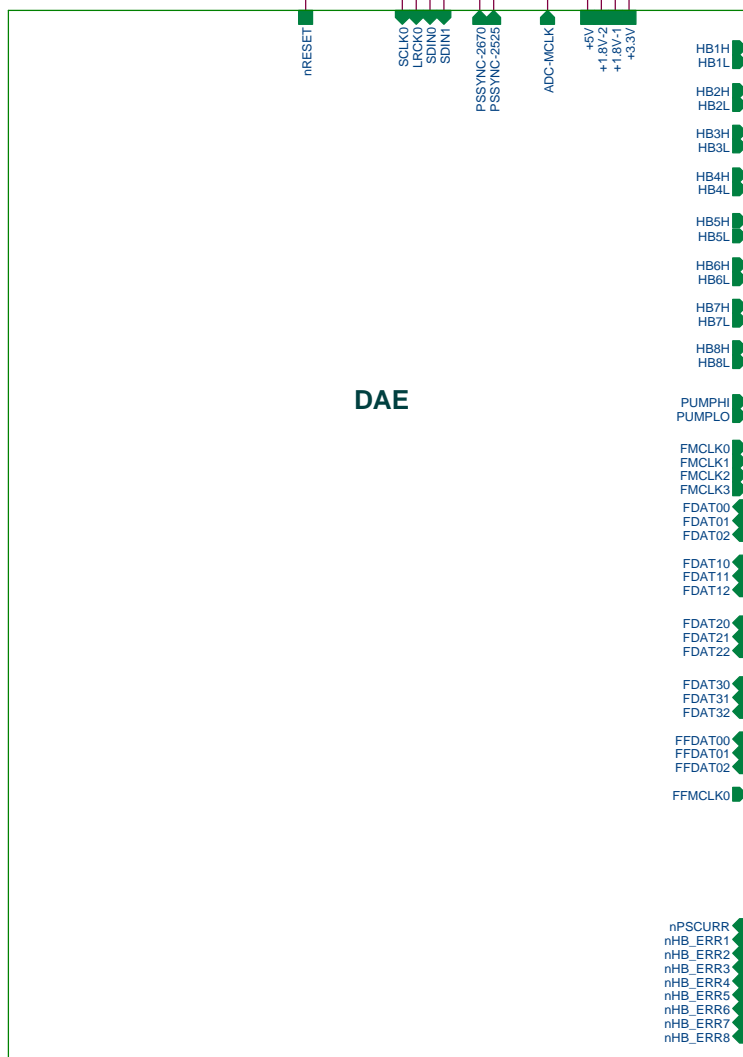


Input ADC + Connectors



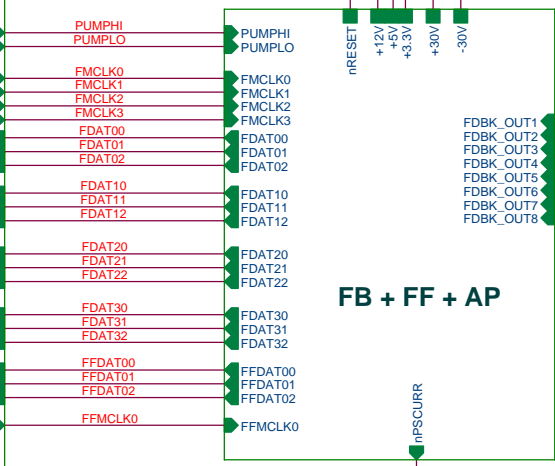
06 - Power Supply

DAE



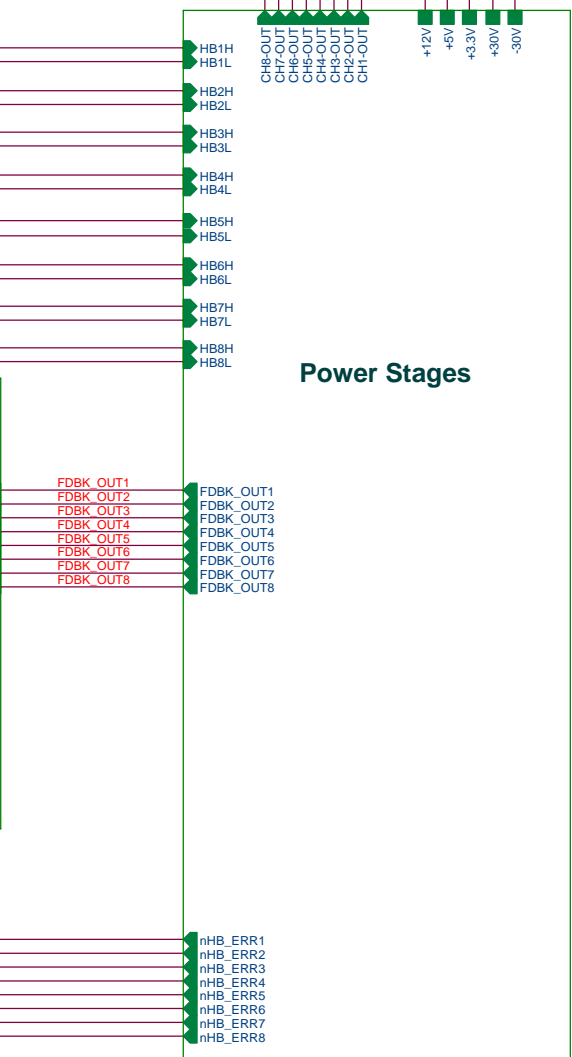
03 - DAE

FB + FF + AP



05 - Feedback+Feedforward+AP

Power Stages



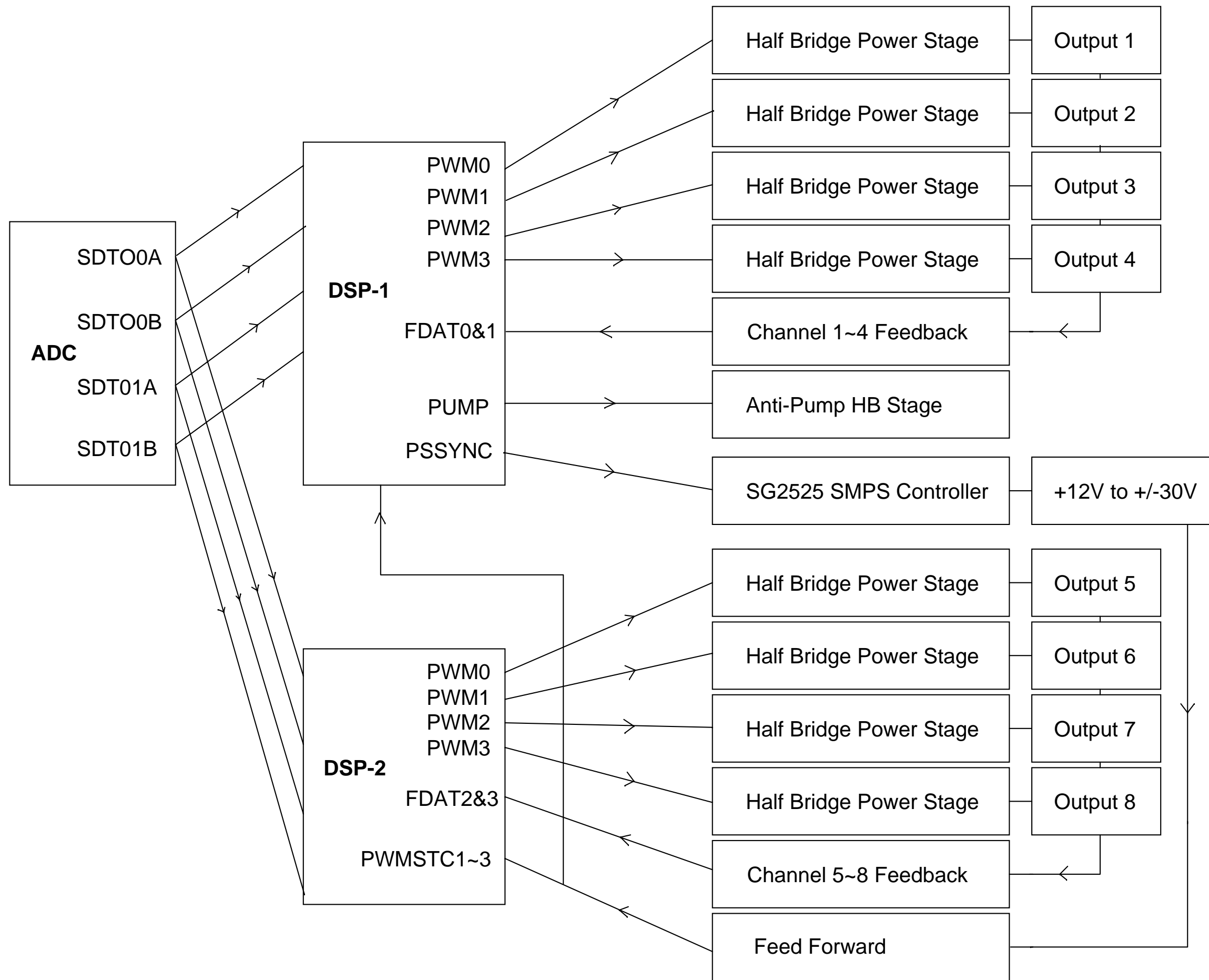
04 - Power Stages

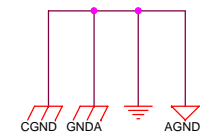
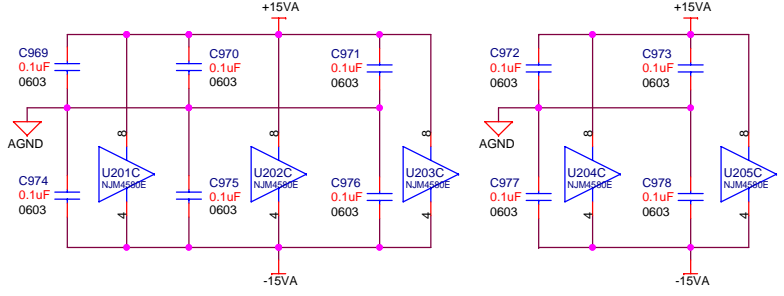
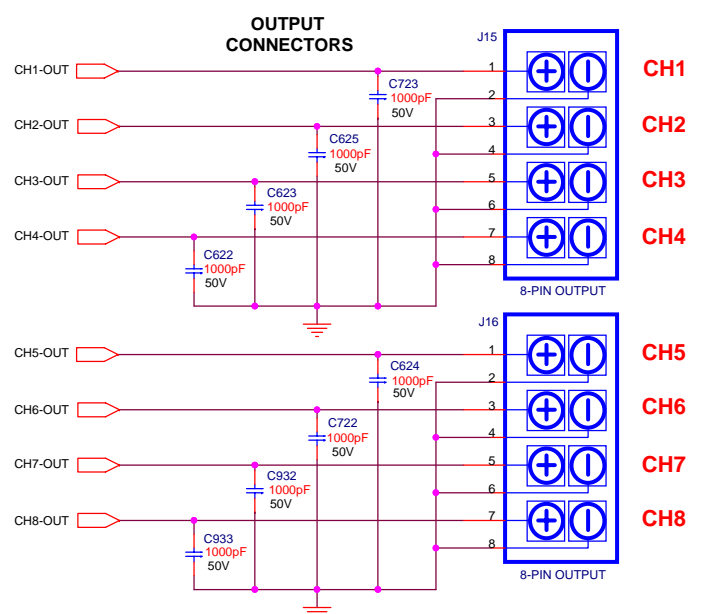
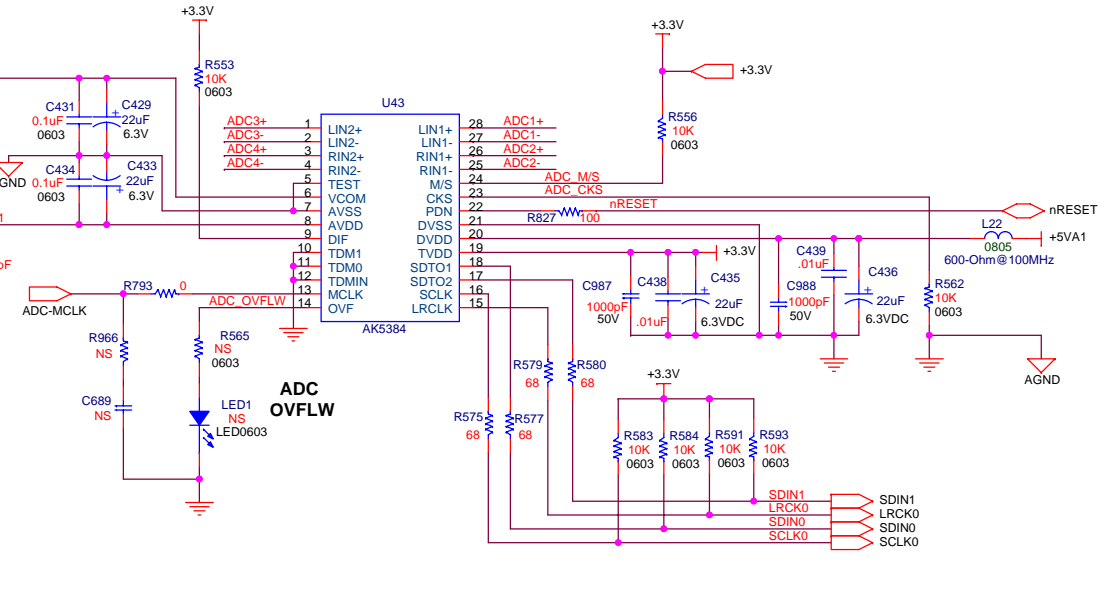
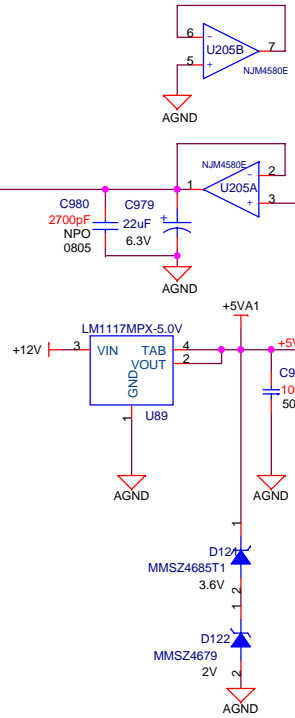
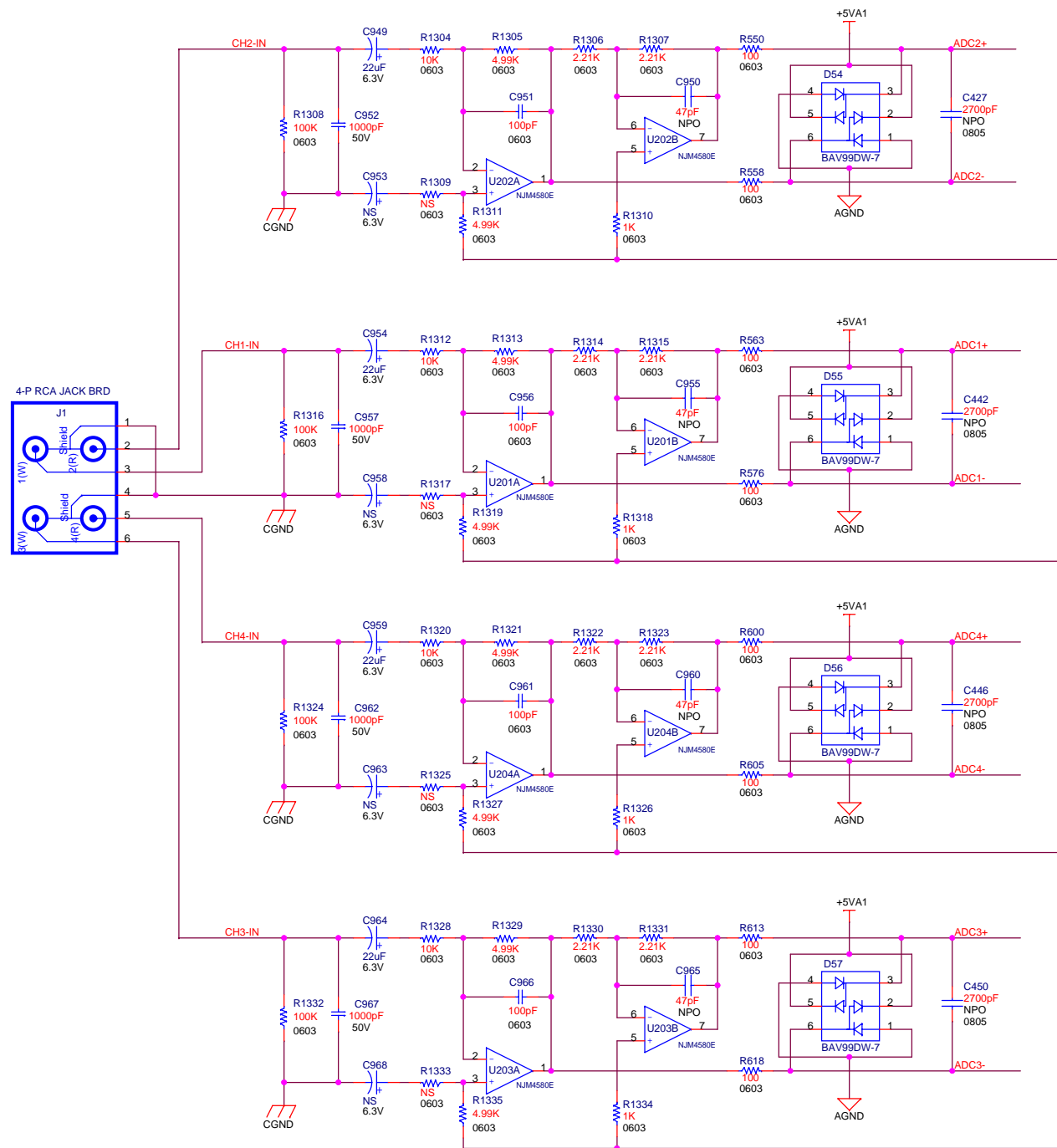
D2AUDIO
 D2Audio
 7600 B Capital Of Texas HWY N
 Suite 130
 Austin, TX 78731

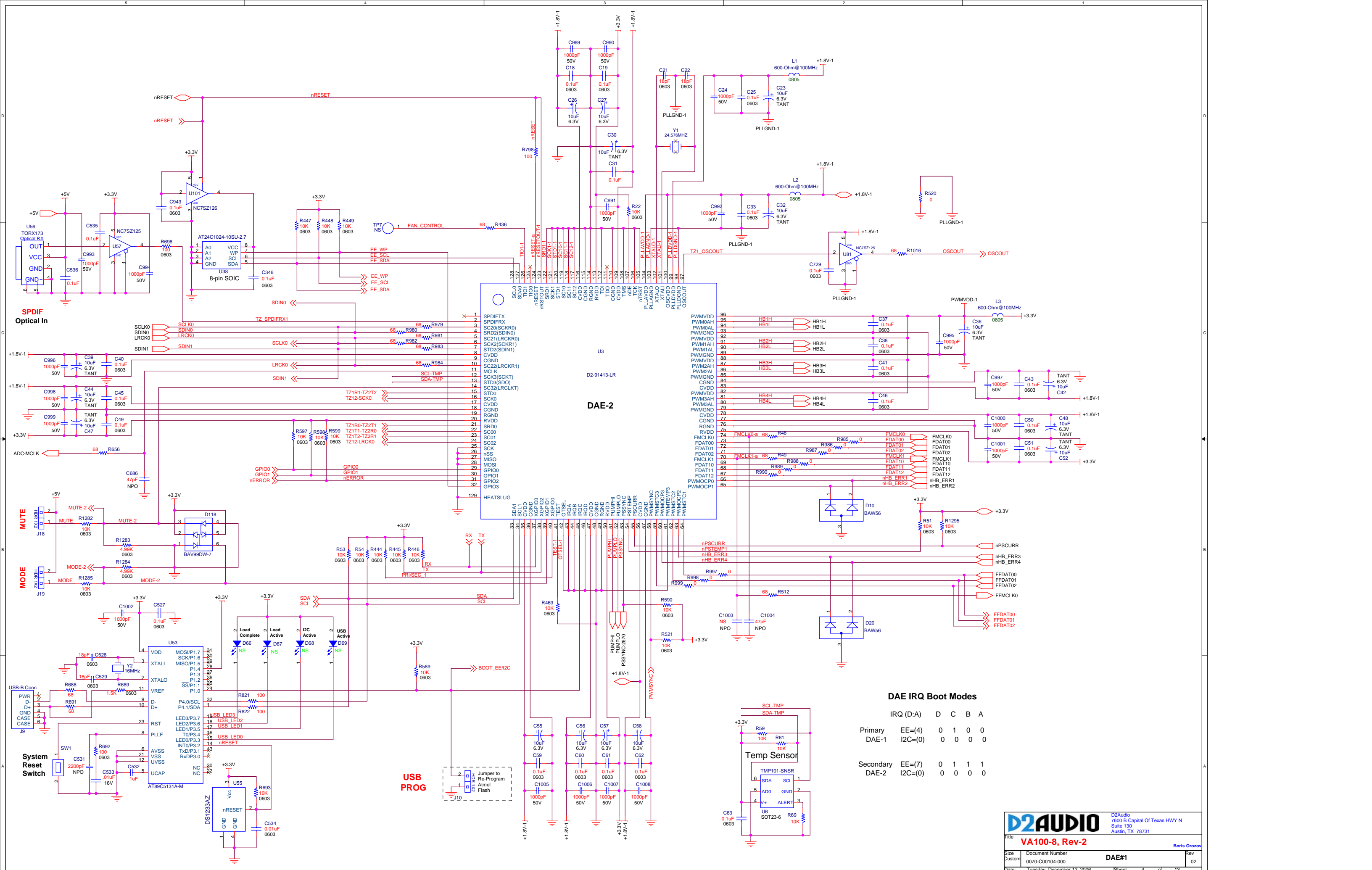
Title: **VA100-8, Rev-2** Boris Orozov

Size	Document Number	Rev
C	0070-C00104-000	02

Date: Tuesday, December 12, 2006 Sheet 1 of 13



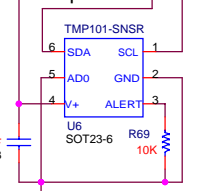




DAE IRQ Boot Modes

IRQ (D:A)	D	C	B	A	
Primary	EE=(4)	0	1	0	0
DAE-1	I2C=(0)	0	0	0	0
Secondary	EE=(7)	0	1	1	1
DAE-2	I2C=(0)	0	0	0	0

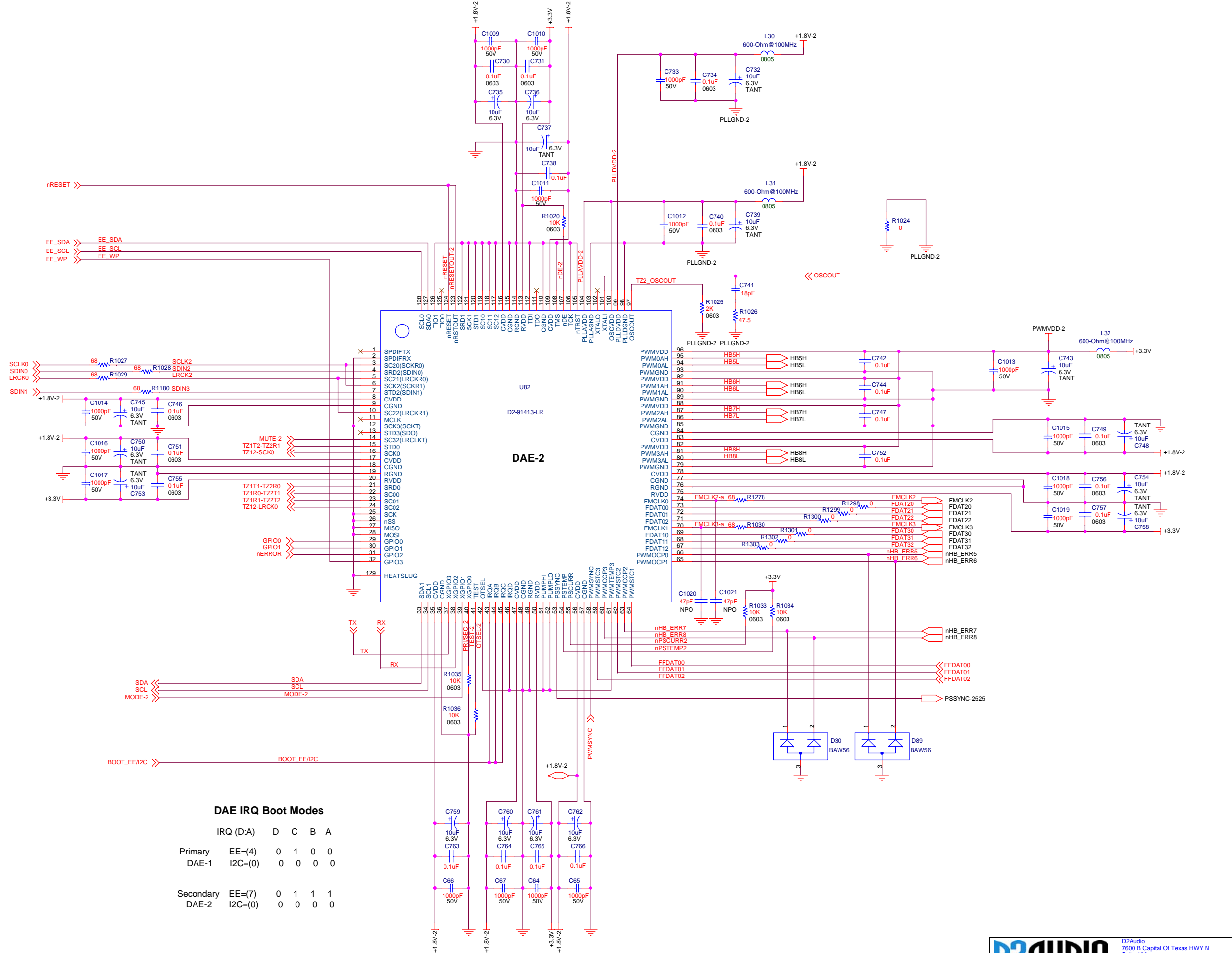
Temp Sensor



D2AUDIO
 D2Audio
 7600 B Capital Of Texas HWY N
 Suite 130
 Austin, TX 78731

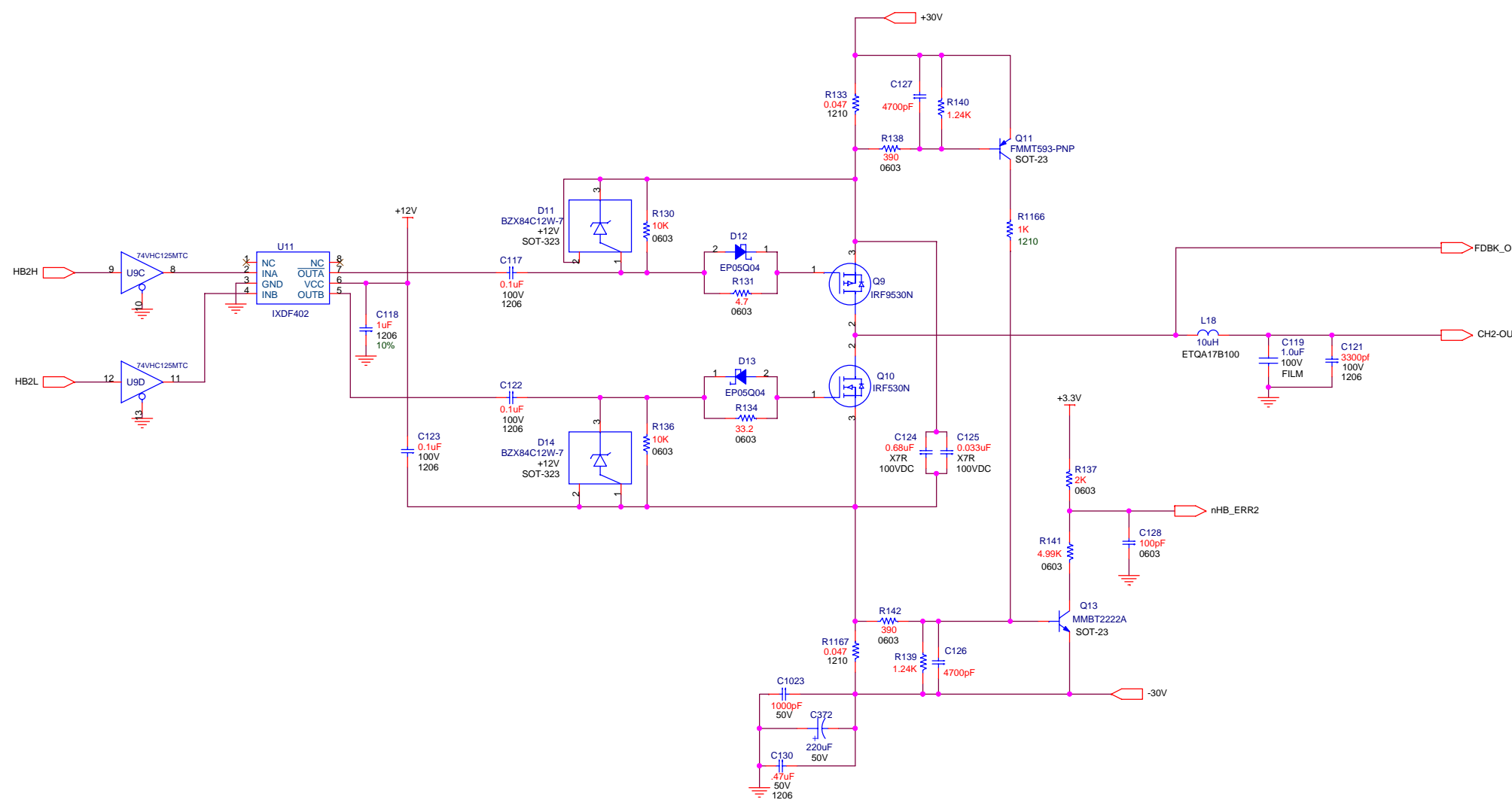
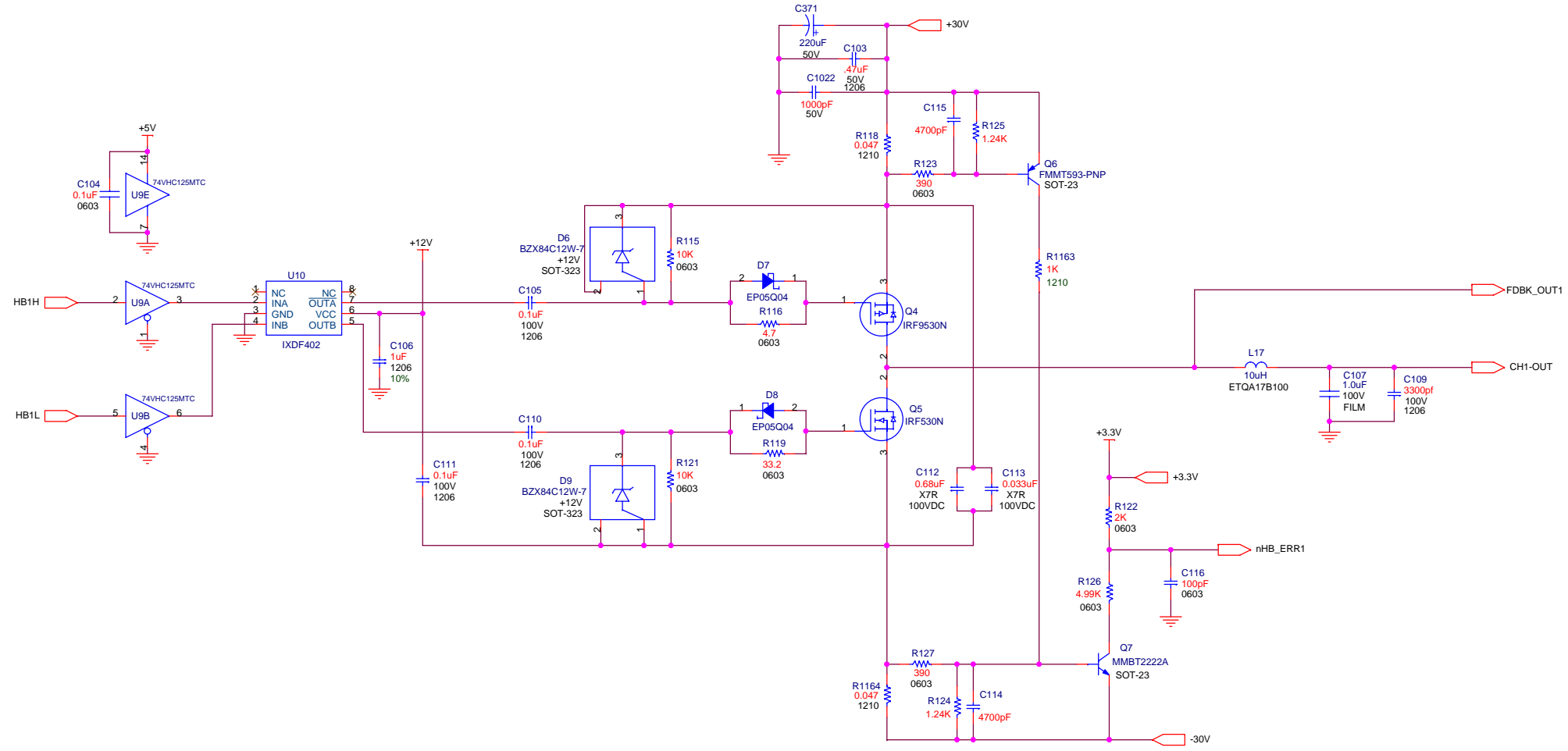
File: **VA100-8, Rev-2**
 Size: Custom
 Document Number: 0070-C00104-000
 Date: Tuesday, December 12, 2006

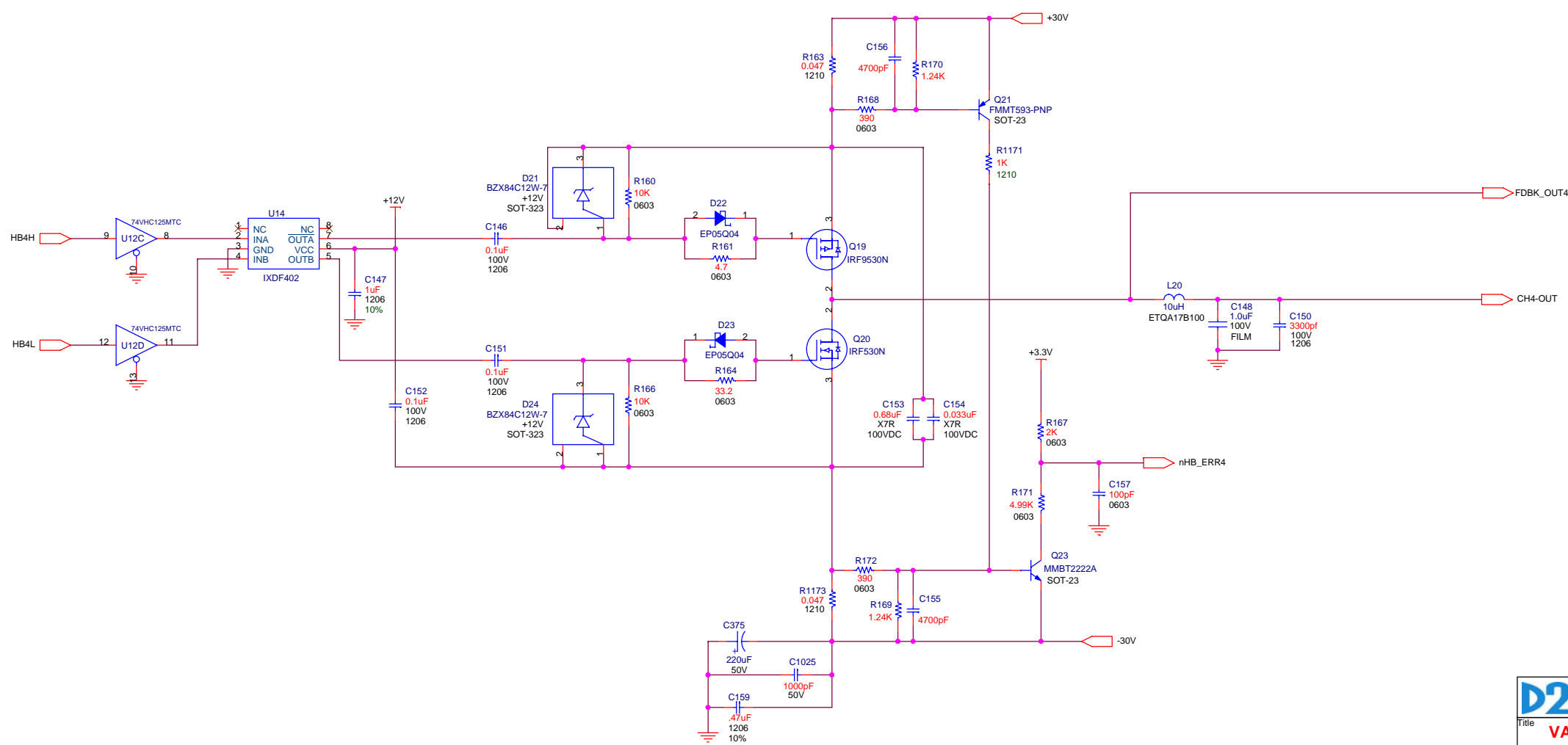
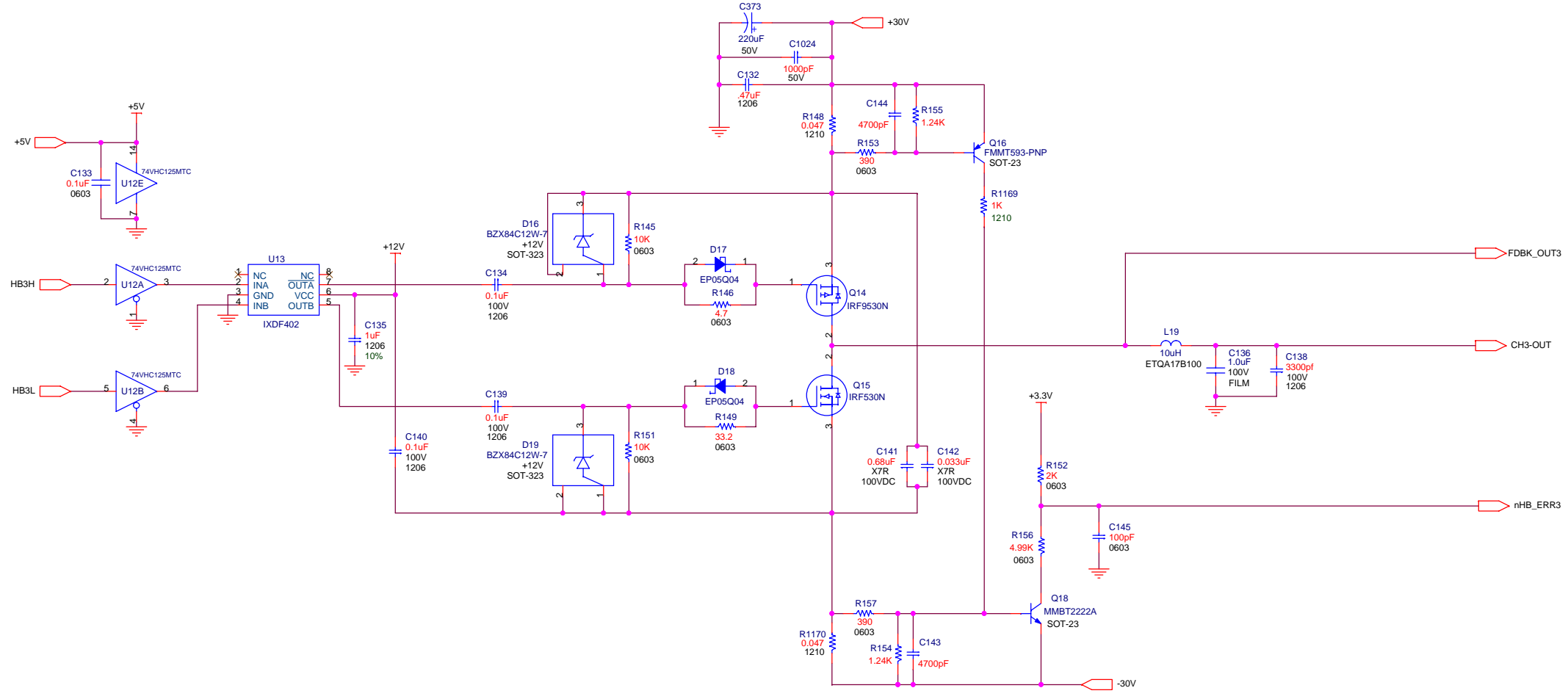
Rev: 02
 Sheet: 4 of 13

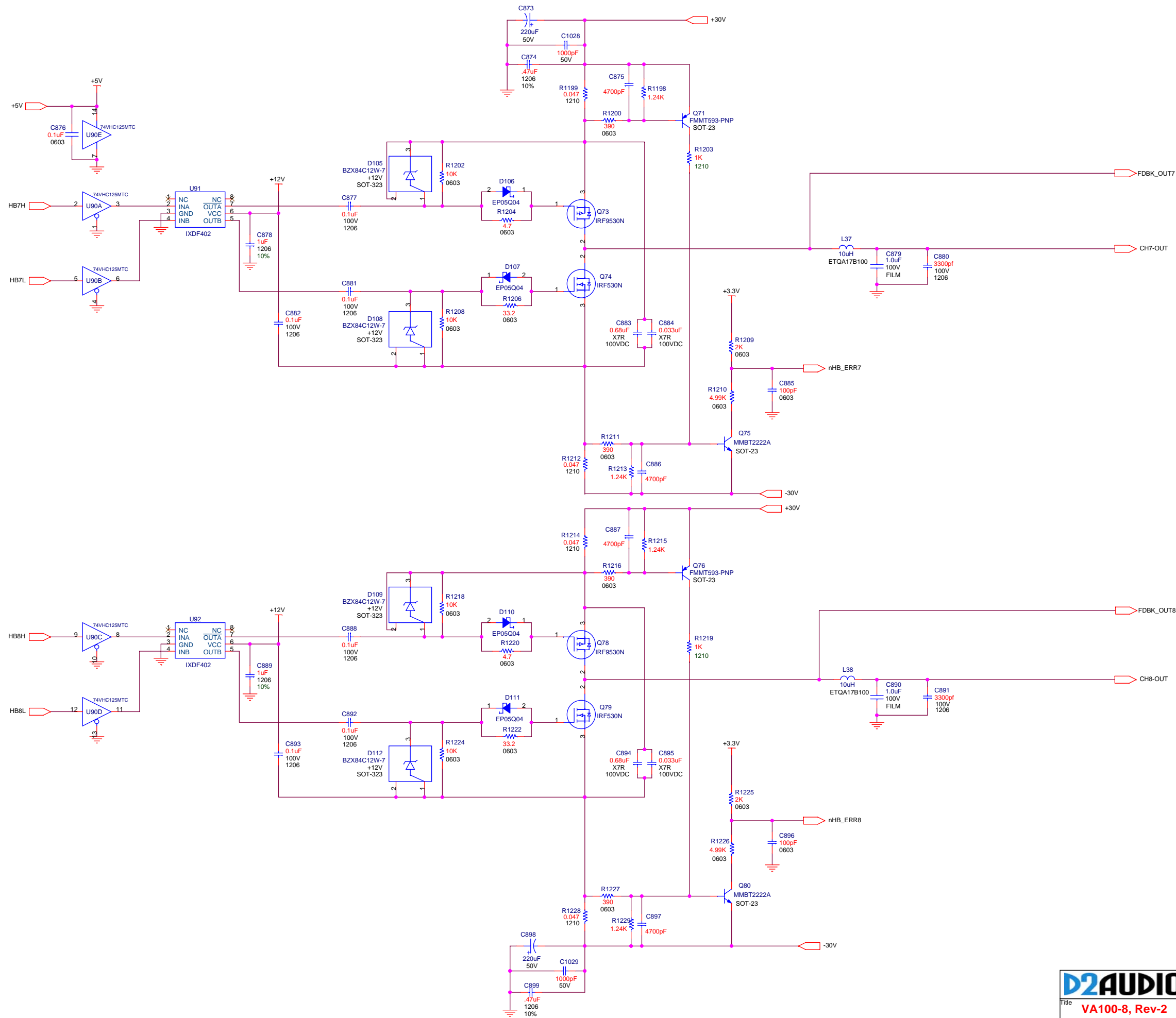


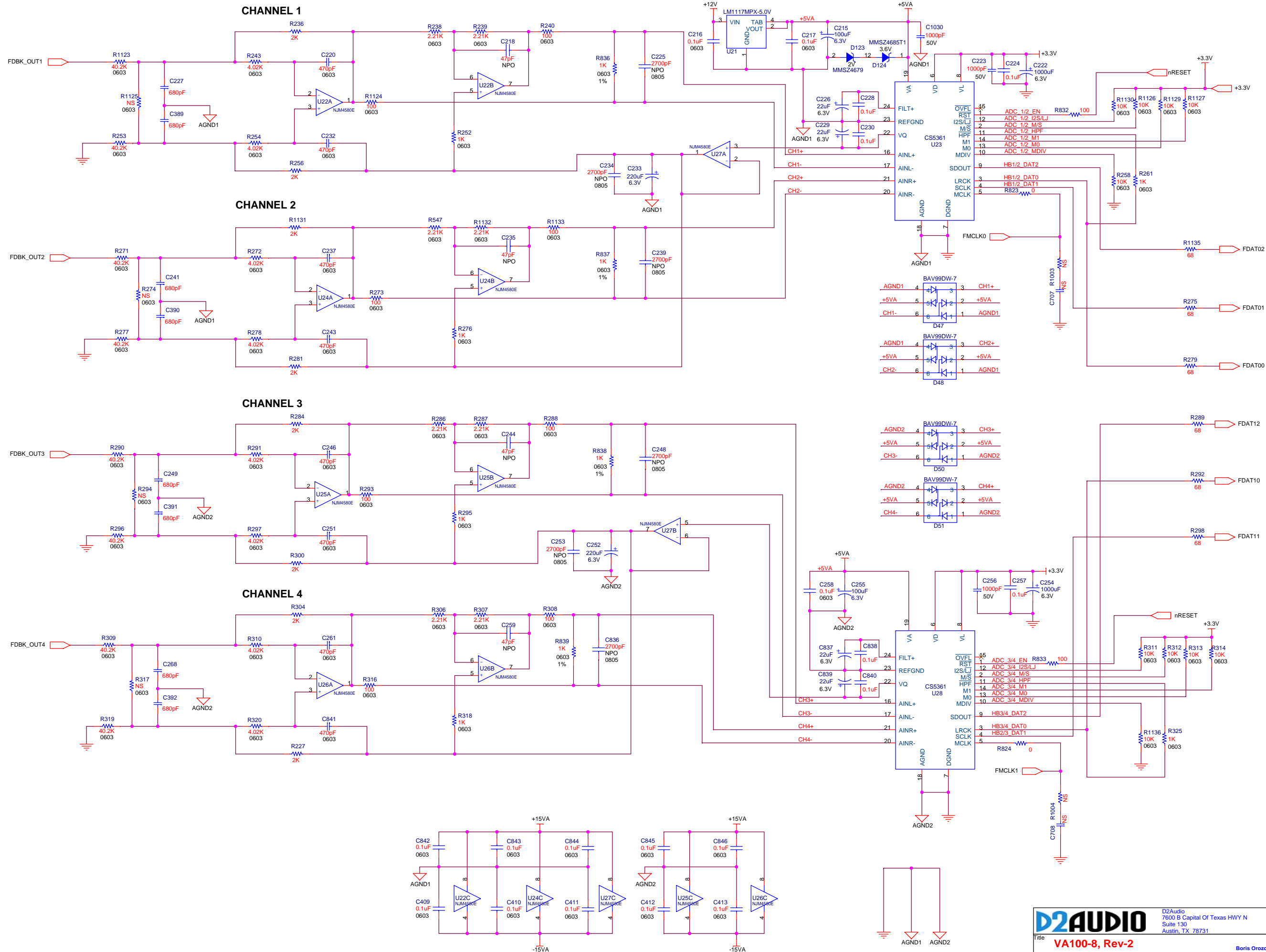
DAE IRQ Boot Modes

IRQ (D:A)	D	C	B	A	
Primary	EE=(4)	0	1	0	0
DAE-1	I2C=(0)	0	0	0	0
Secondary	EE=(7)	0	1	1	1
DAE-2	I2C=(0)	0	0	0	0

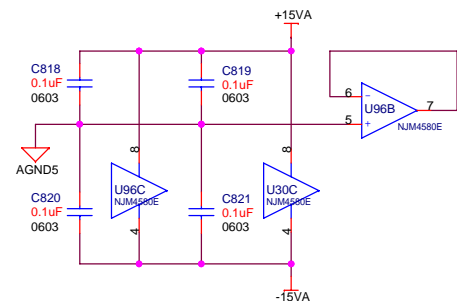
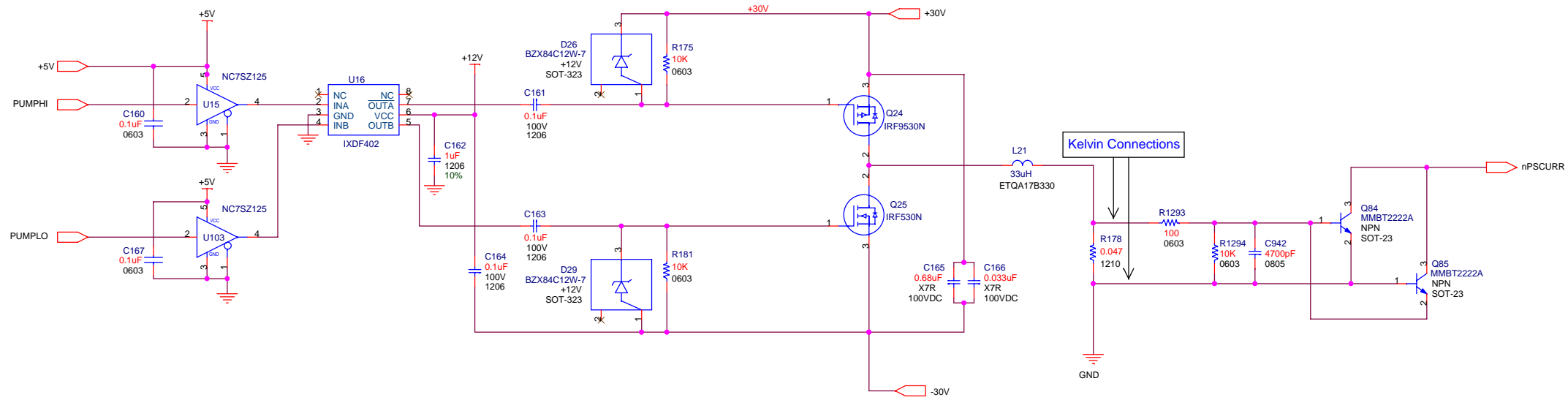
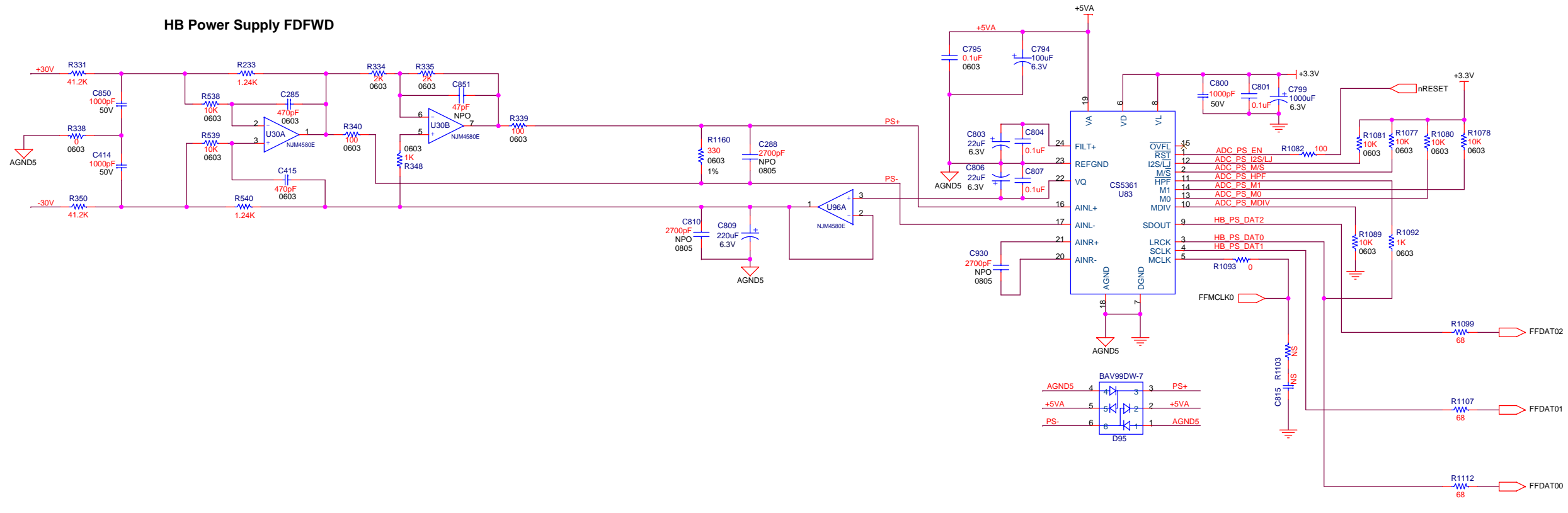








HB Power Supply FDFWD



Over-Voltage Protection Threshold >16V
Under-Voltage Protection Threshold <8V

