



CD1020

CD1020 amplifier module is a self-contained high-performance class D amplifier intended for a wide range of audio applications, ranging from Public Address systems to ultrahigh-fidelity replay systems for studio and home use. With dual mono channels which individual has 100W RMS to combine switching power, saving cost but high efficiency. Chief distinguishing features are flat frequency response irrespective of load impedance, nearly frequency-independent distortion.

Applications

Public Address systems / Combo Guitar / Bass amp / Audiophile power amplifiers for professional and consumer use / Home theatre and KTV amplifier systems / Active speakers

Features

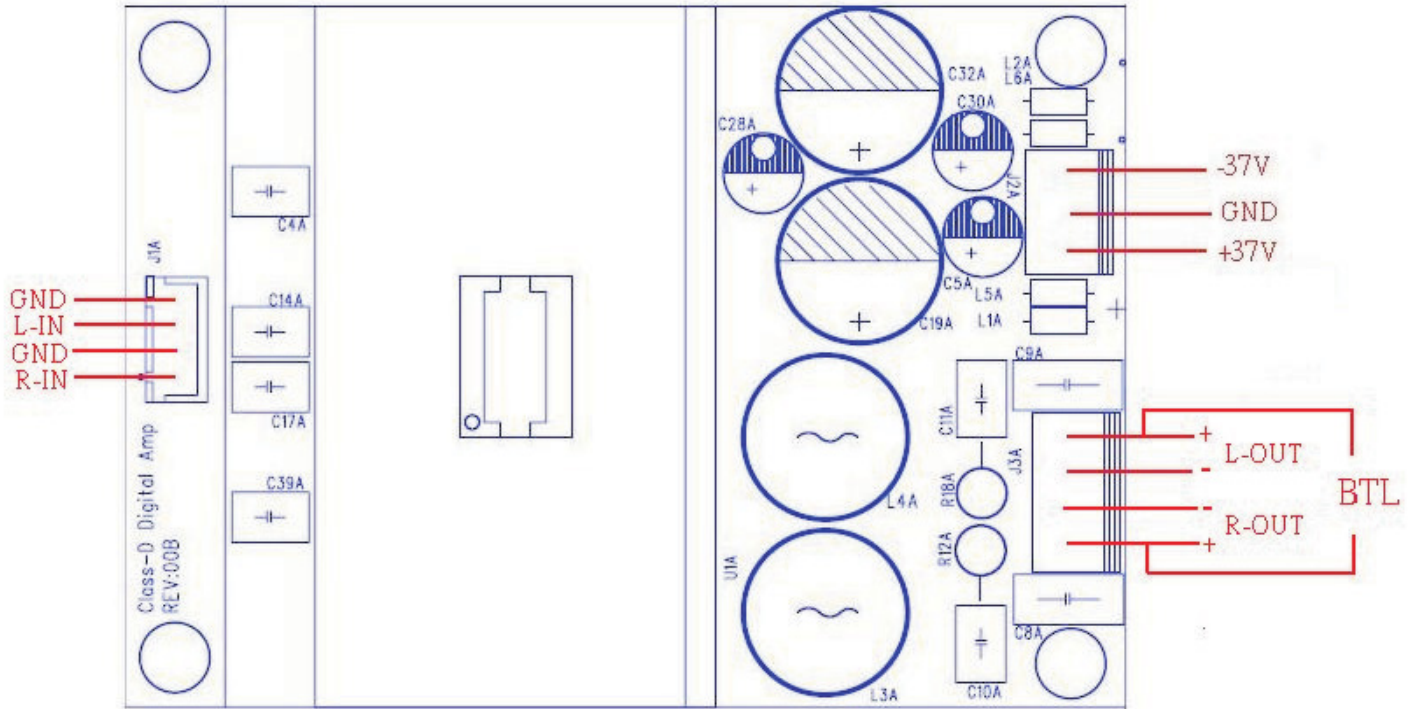
- Smooth pop noise-free start-up and switch off
- 240 Watts continuous dynamic music load in over +4dB and over for minimum 5 minutes
- Universal voltage input range 90-265VAC
- Compact size
- Graceful Protection for Over Current / Over Voltage Protection / Over Temperature Protection
- Designed for compliance with CE requirements
- ROHS compliant

Specification

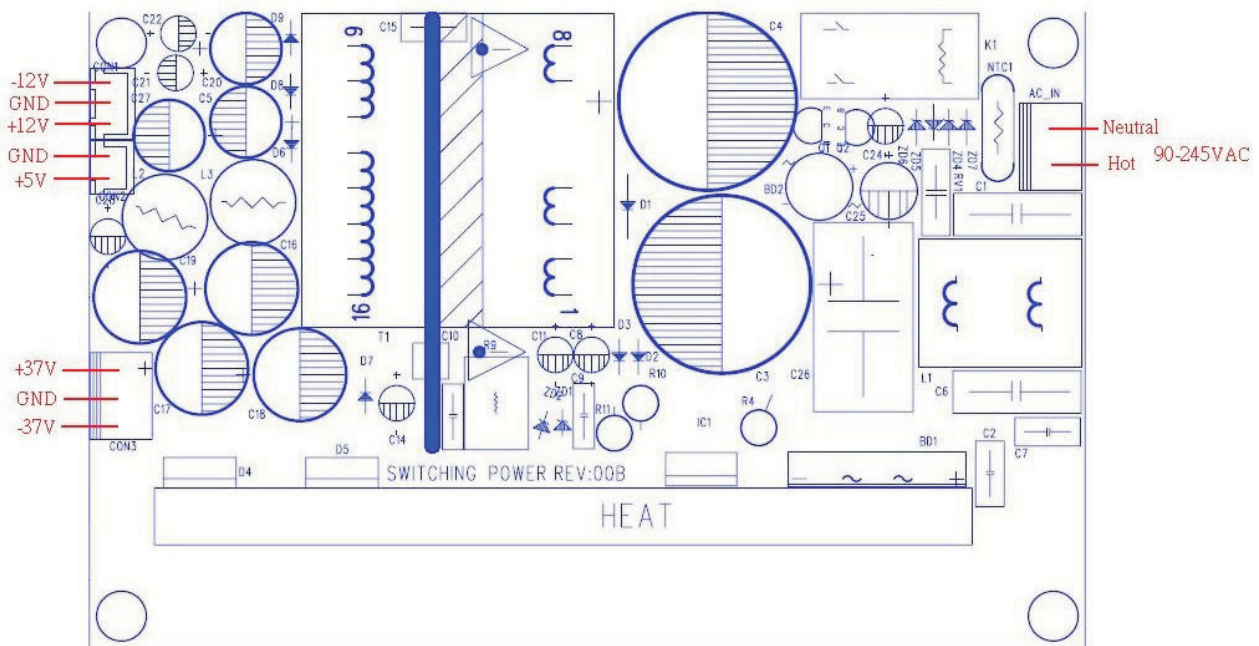
RATED OUTPUT POWER (RMS) @SE	100W*2, THD<1%, 4Ωload / 120W*2 ,THD=10% , 4Ωload
MAX. OUTPUT POWER (RMS) @BTL	240W, THD<10% 8Ωload
THD @1W	0.05%
FREQUENCY RESPONSE	20Hz~20KHz + 1dB/-2dB
S/N R	105dB
OUTPUT POWER EFFICIENCY	>80%
INPUT IMPEDANCE	10KΩ
INPUT SENSITIVITY	1V
OVER CURRENT PROTECTION	YES
SHORT CIRCUIT PROTECTION	YES
OVER TEMPERATURE PROTECTION	YES
AC POWER IN	YES
AUXILIARY POWER SUPPLY	+12V/-12V(500mA) · +5V(500mA)
DIMENSIONS	AMP 70mm(D) X 100mm(W) X 38mm(H) POWER 98mm(D) X 140mm(W) X 57mm(H) (Contain Heatsink) 90mm(D) X 140mm(W) X 57mm(H)

Pin Assignment

(1) AMP

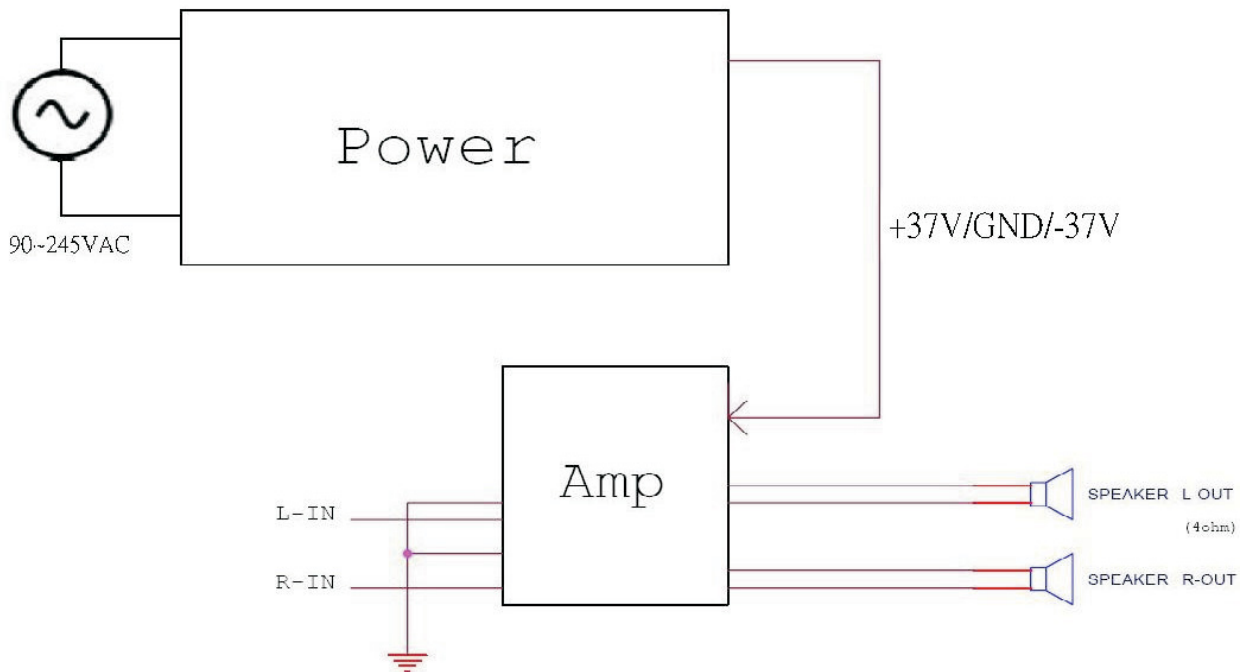


(2) Power

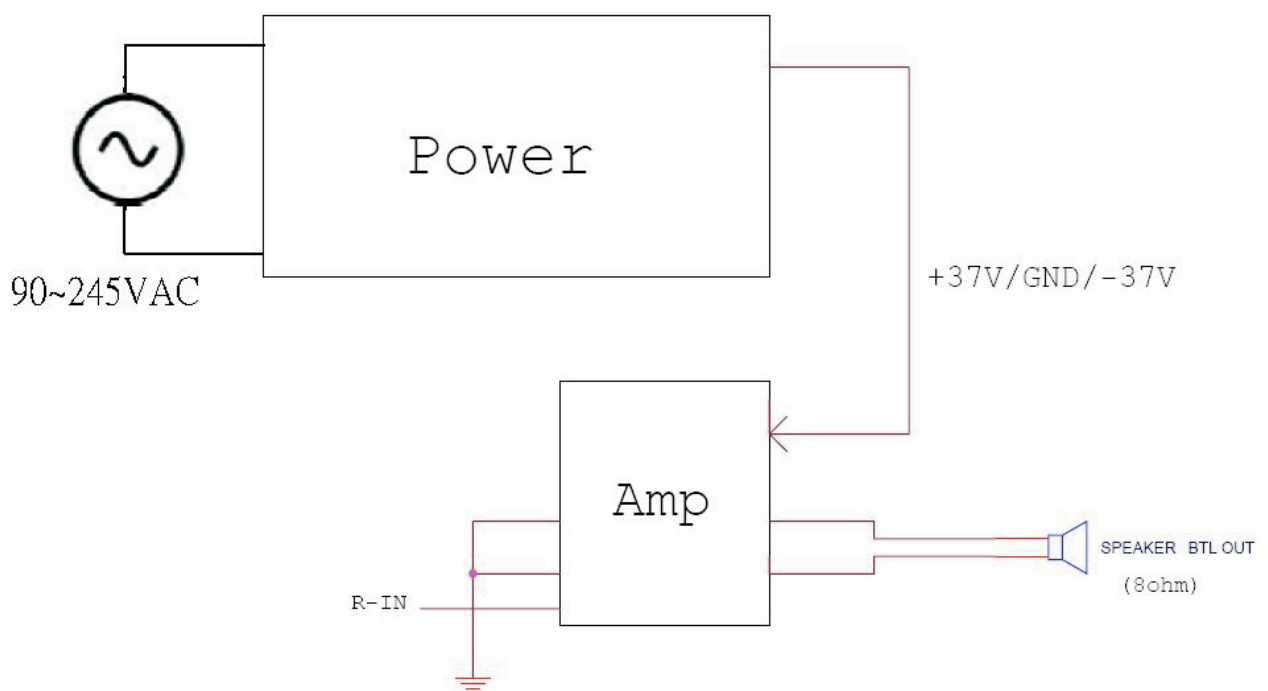


Typical Connection Diagram

(1) Stereo Application: (2 x 120W @ 4ohm)

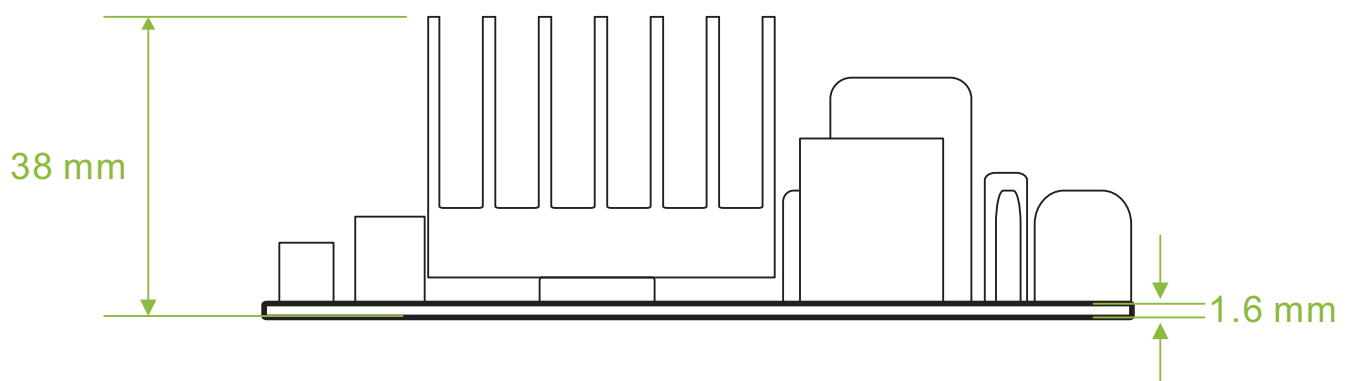
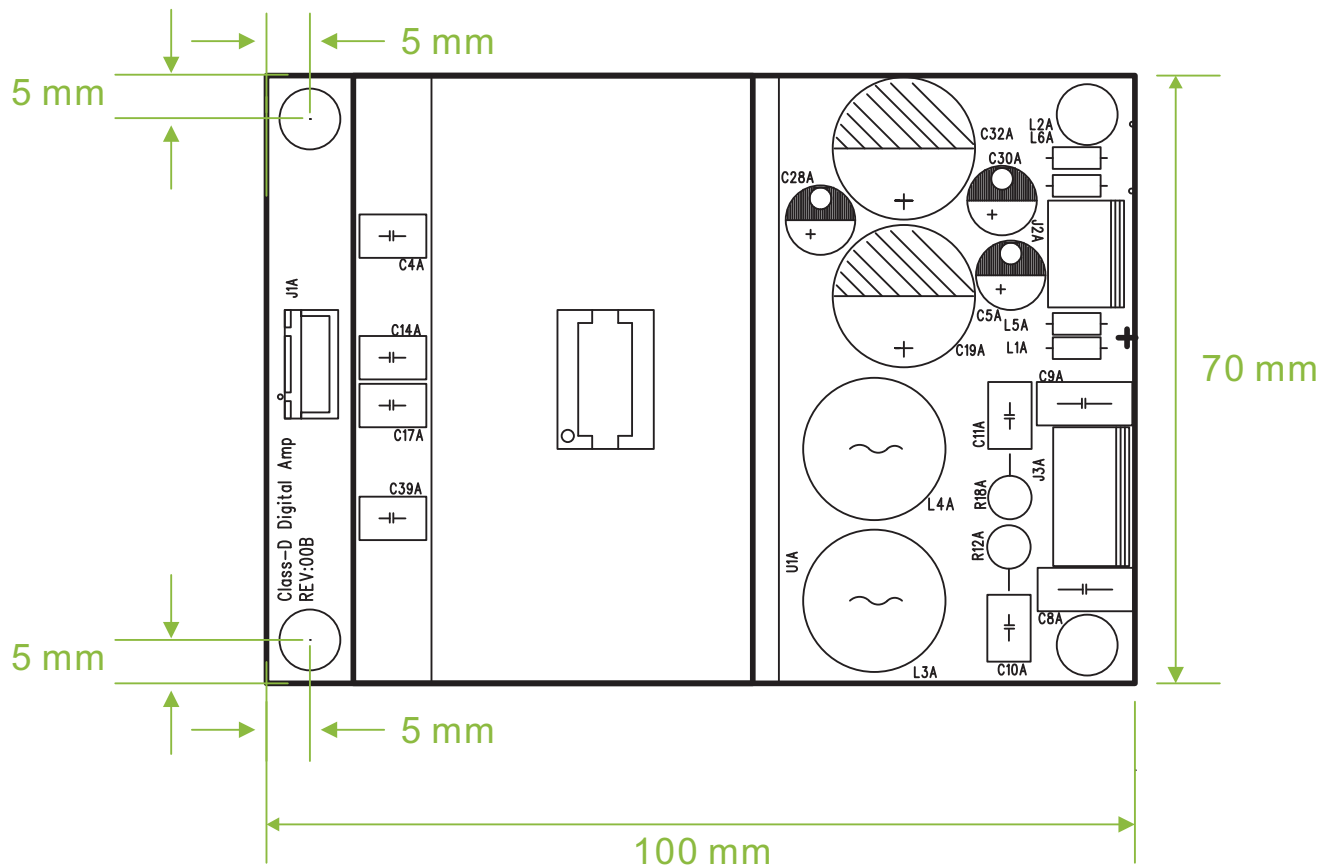


(2) Mono Application: (1 x 240W @ 8ohm)



Module Dimension

(1) AMP



(2) Power

