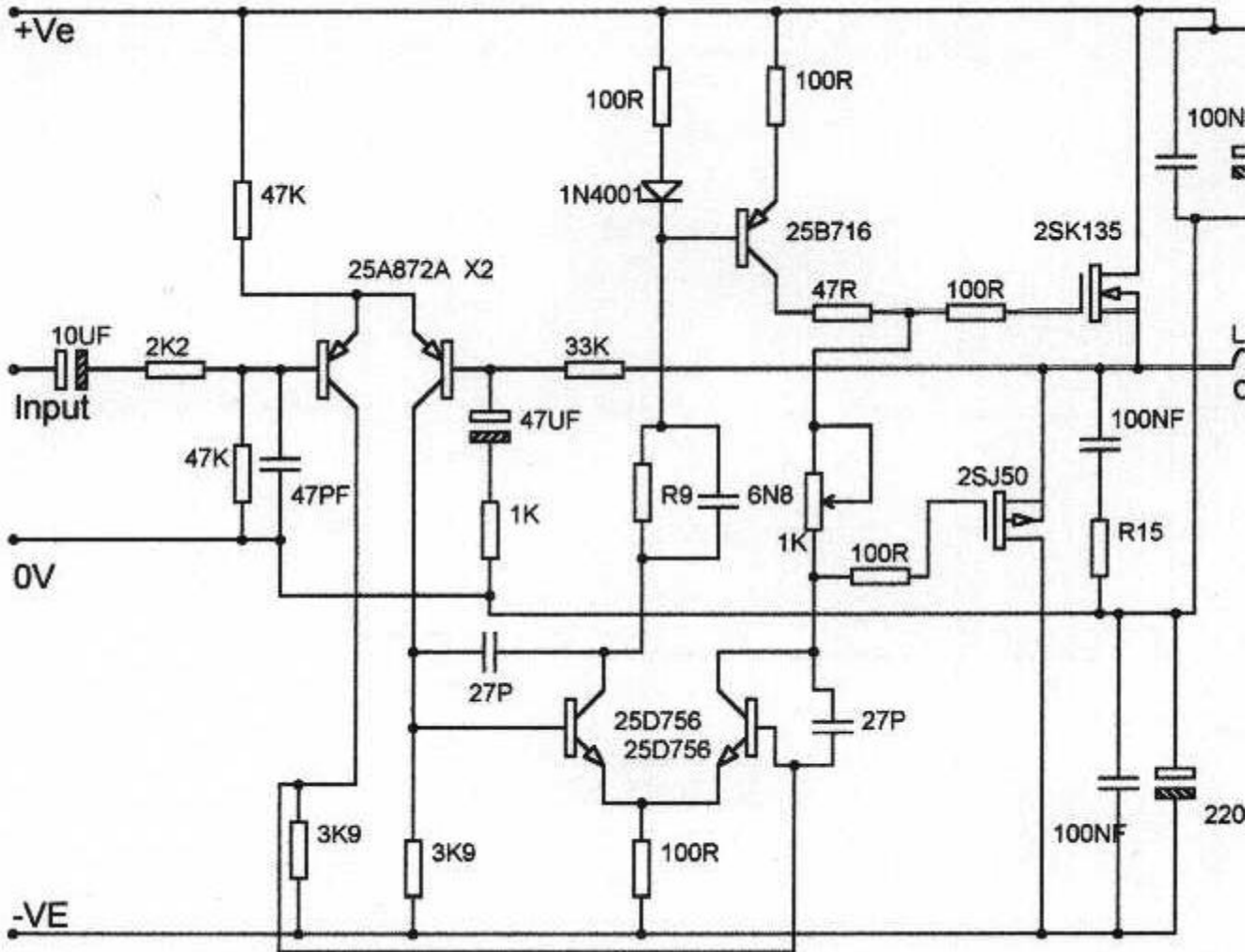


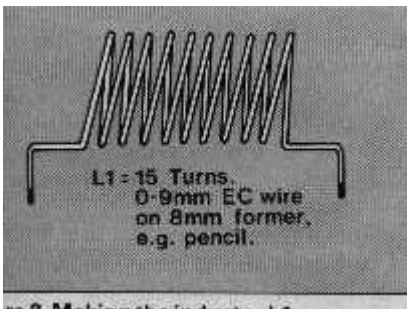
150W mosfet amp into 4R. 100w into 8R. True RMS.

Power supply = ± 55v at 5A(4R)

Circuit Diagram.

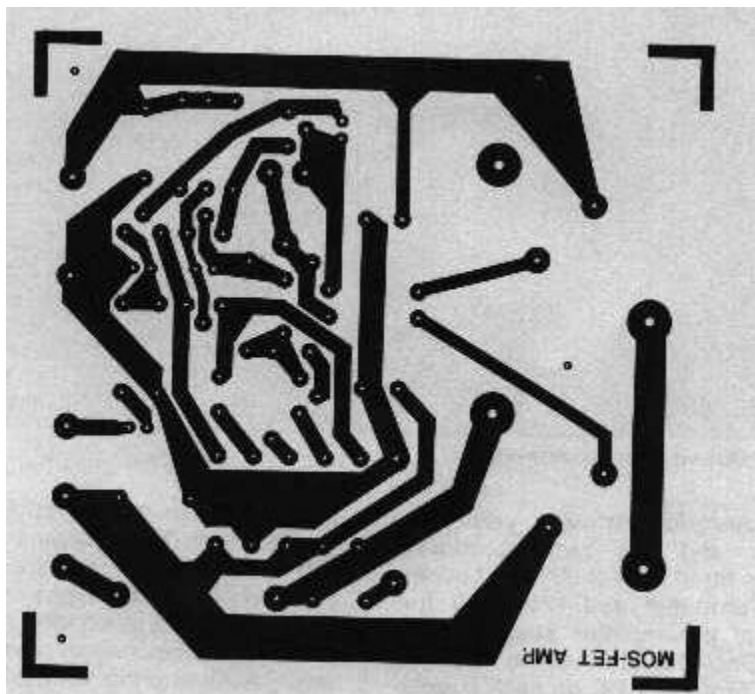
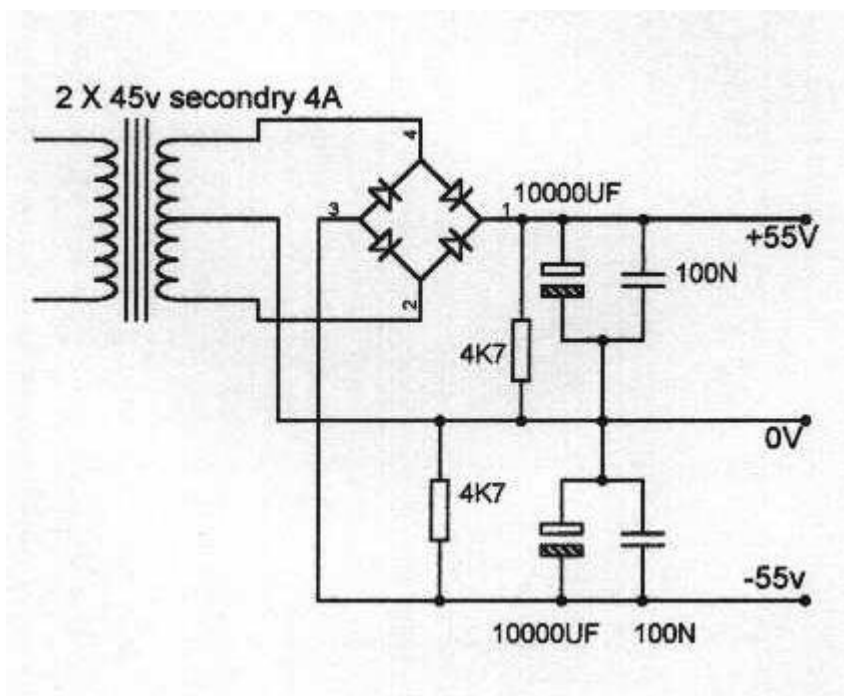


All Resistors standard 0.6W except R9 = 12k 1W carbon film / R15 = 3W wirewound.



L1 is see 2. Making the inductor L1

Dual power supply. Only use this type of supply



If you have any problems with making the amp or with making PCB then E Mail me at deano@deanwhite.freereserve.co.uk

Setting up!

Fit low current fuses to each supply rail prior to powering up an ***dont*** connect the speaker..Connect a meter to read current between the speaker output and 0v and adjust the pot to read 80 and 120ma and your ready to power up with the speaker on.I have four of these amps set up and they kick ass,and i am making another four to set them up in a bridge to get that bit more power out of them!

Dont connect them up to small low wattage speaker,they wont last 5 mins.Dont say you have not been told if they go up in smoke?

If you want a complete kit made or not then let me know deano@deanwhite.freereserve.co.uk with all your details of what you need.

Happy Amping..