



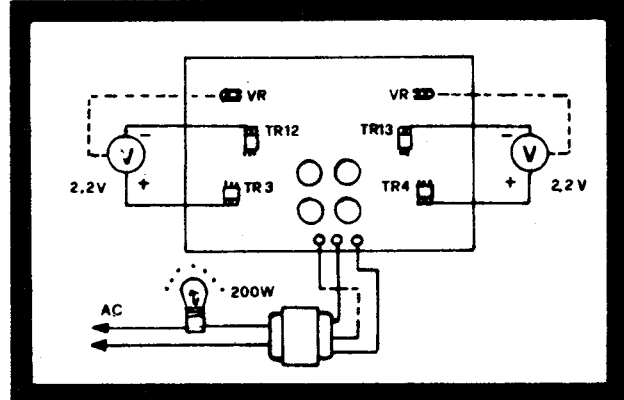
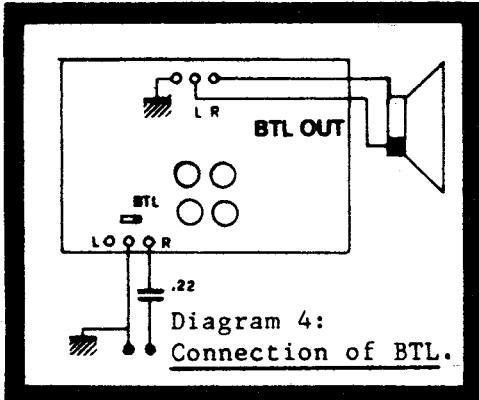
美聲電子公司

ME SING ELECTRONIC CO.

香港九龍青山道489-491號
香港工業中心C座8樓C11室

BLK. C11, 8/F., HONG KONG IND. CENTRE,
489-491 CASTLE PEAK RD., KOWLOON.

電話：3-7455055 3-7455388



Technical Data:
 Input Imped : 10K
 Sensi : 1V
 Supply DC : 35V-50V
 AC : 23V-36Vx2
 5-10A
 Freq. Respo : 0-100KHz
 1dB
 Power Bandw : 0-100KHz
 0.1dB
 TIM Disto : 0.005%
 THD (1KHz) : 0.0035%
 S/N Ratio : better than
 110dB
 Dampi factor : 100 at 8ohms
 Output 50V : 260W RMS
 400W BTL
 Loading Imp : 4-16 ohms

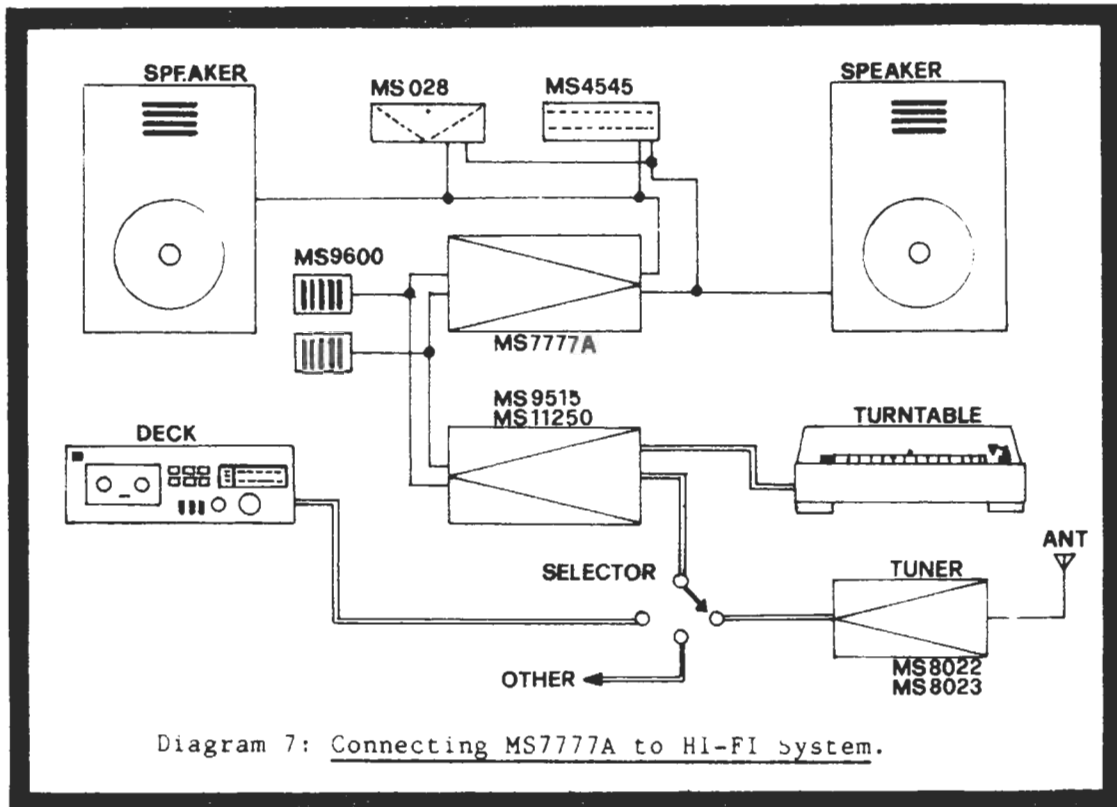
TR 5,6,7,8	2SK68
TR 9,10,14,15,16	C1815
TR 11,18,19	A844
TR 1,2,3,4	MS4924
TR 12,13,20,21	MS4923
TR 17	MS4922
TR 24,25	MS372
TR 22,23	RC3069
TR 24A,25A	MS260A
24B,25B	
TR 26A,27A	MS250A
26B,27B	
D	IN4148
RD	IN4003
ZD	24V
Fuse	3A

Diagram 6: Components of MS777A

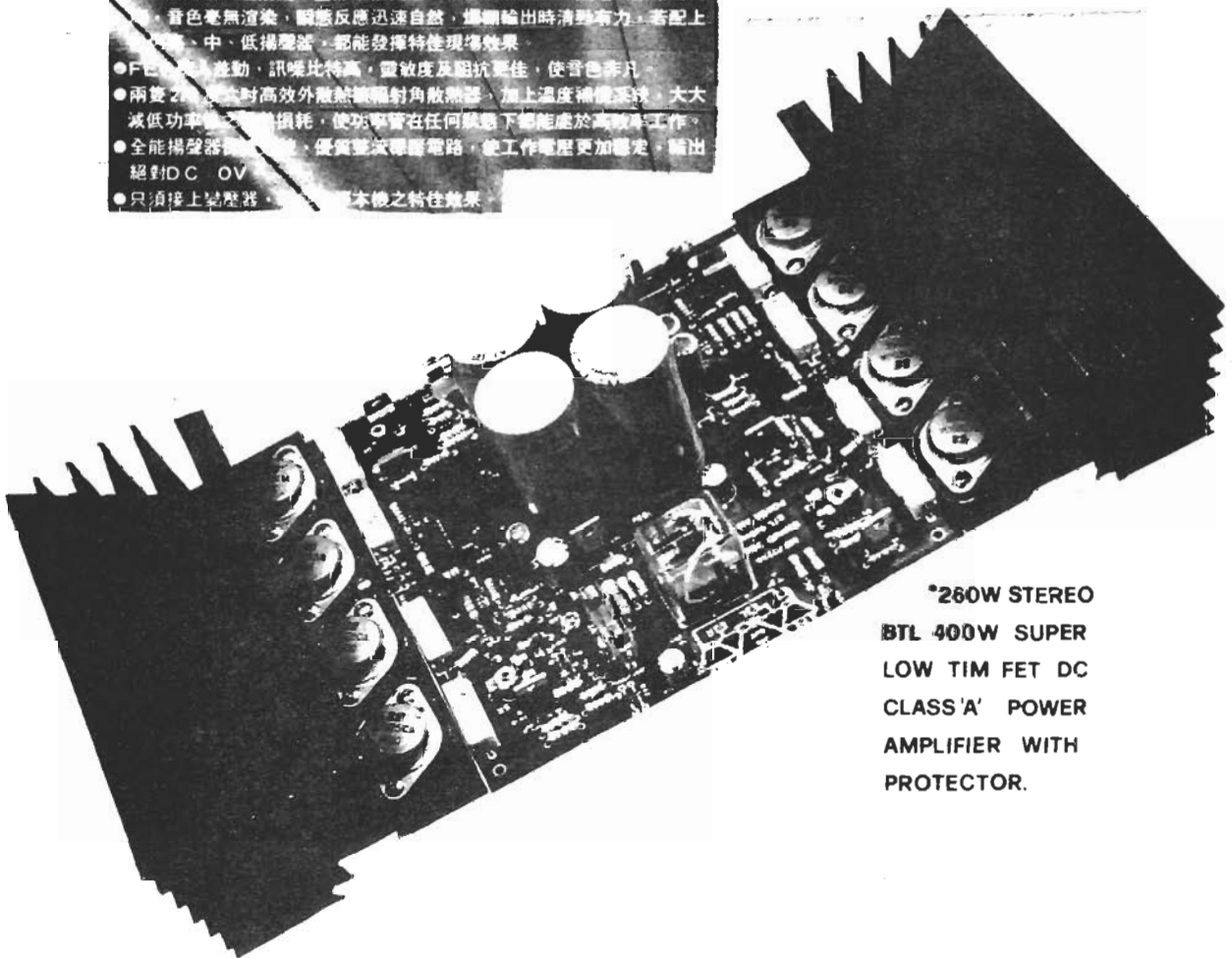
Calibrating Procedure of MS777A.

- Put the selector to the Stereo side.
- Check and recheck correctness of components.
- Tune the 5K VR pointed to the rear.
- Connect power transformer in series with a 100W to 200W light bulb to the AC inlet.
- THE light bulb should dim down after 5 to 10 seconds; if not unplug it and repeat steps 2.
- Tune the VR to get a reading of 2.2V across the collectors of TR3,4 TR12,13.
- Wait for 10 minutes and repeat steps 6.
- Remove the 100W to 200W light bulb and repeat steps 6 once.
- Put the selector to the "BTL".
- Connect the speaker and input just as diagram 4. The power Amplifier should become a "400W" single channel power AMP.

** In any case, brightly glew light bulb and indicates abnormal condition has reached.
 ** Do not replace fuse other than specified.



- 動態偏壓電路，A類工作狀態，A B類損耗，高質對稱功率管並聯輸出，全機由輸入至輸出，全部直接交通，頻率特性廣闊，圖尼基訊噪比更優，音色毫無渲染，瞬態反應迅速自然，爆棚輸出時清晰有力，若配上中、低揚聲器，都能發揮特佳現場效果。
- FET 全線推動，訊噪比特高，靈敏度及阻抗最佳，使音色非凡。
- 兩隻之 100W 對高效外殼熱輻射角散熱器，加上溫度補償系統，大大減低功率管之損耗，使功率管在任何狀態下都能處於高效率工作。
- 全能揚聲器保護電路，保護整機電路，使工作電壓更加穩定，輸出絕對 DC 0V。
- 只須接上聲壓器，即可發揮本機之特佳效果。



***260W STEREO
BTL 400W SUPER
LOW TIM FET DC
CLASS 'A' POWER
AMPLIFIER WITH
PROTECTOR.**