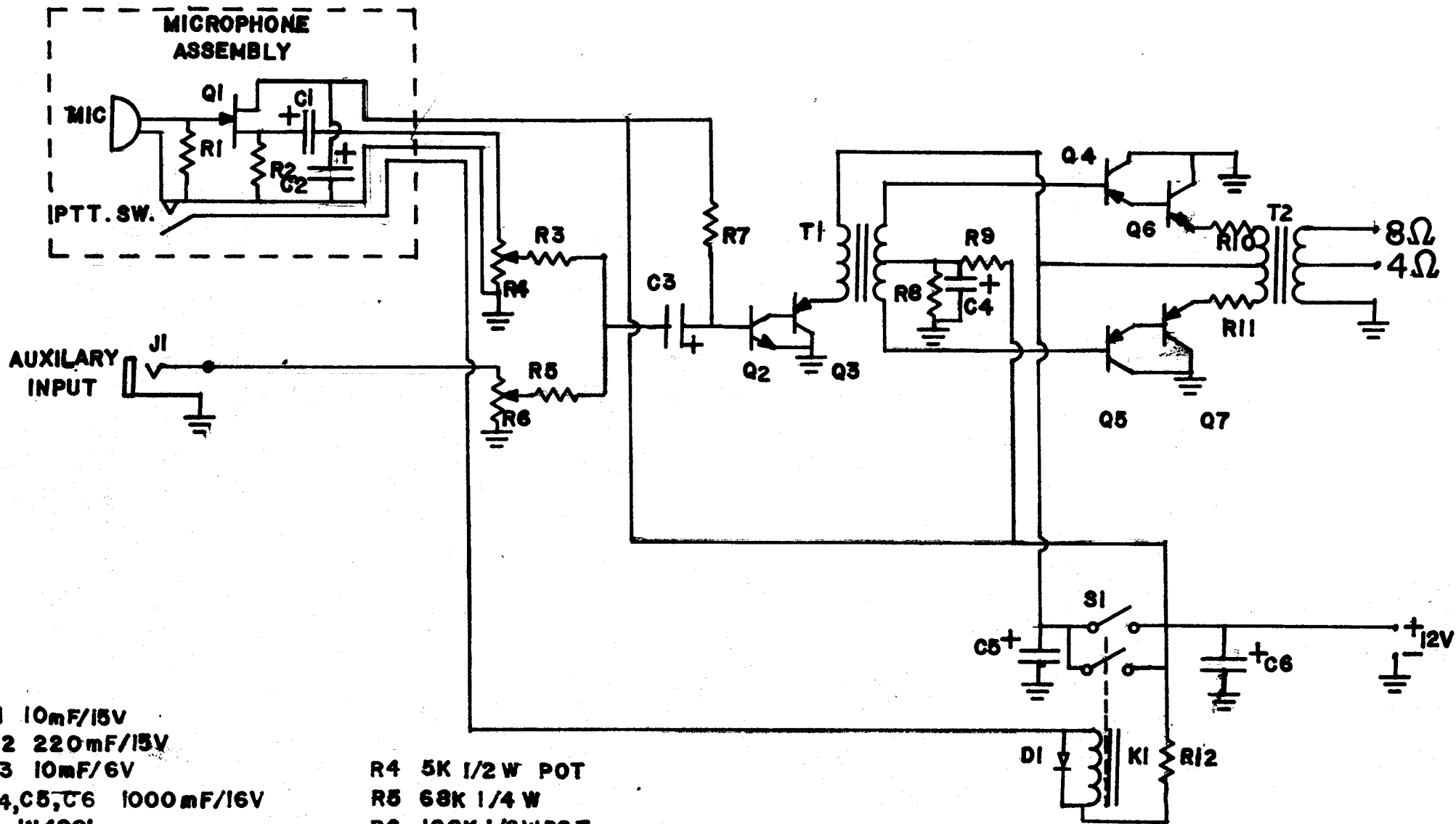


15W RMS PUBLIC ADDRESS AMPLIFIER



- C1 10mF/15V
- C2 220mF/15V
- C3 10mF/6V
- C4, C5, C6 1000mF/16V
- D1 1N4001
- J1 PHONE JACK
- K1 12V SPST RELAY
- Q1 2N3189 JFET
- Q2 2N5135
- Q3, Q6, Q7 2N2836 (GE-3)
- Q4, Q5 AC128 (GE-2, 2N404)
- R1 1M 1/4 W
- R2 1K 1/4 W
- R3 33K 1/4 W

- R4 5K 1/2 W POT
- R5 68K 1/4 W
- R6 100K 1/2 W POT
- R7 680K 1/4 W
- R8 1.2K 1/4 W
- R9, R12 22R 1/2 W
- R10, R11 0.27R 2W
- S1 SPST SWITCH
- T1 12n TO 100CT
- T2 18n CT TO VOICE COIL