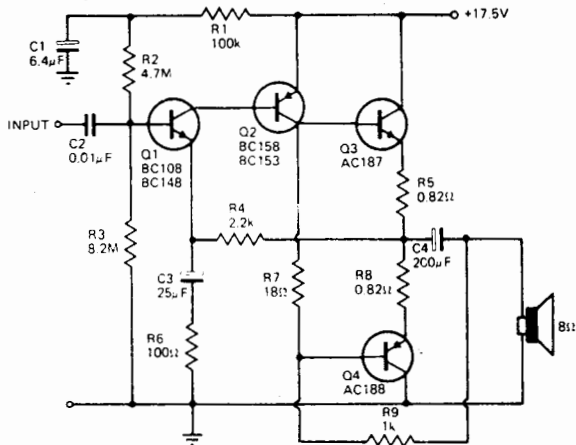


AUDIO AMPLIFIER



A high input impedance of 1.1 megohm is made possible in this amplifier by keeping the collector current of Q1 low, and by using a high level of ac and dc feedback. The input sensitivity is adjusted by altering the value of R3.

The quiescent current of the output stage is 2.5 mA and is stabilised by resistors R5 and R8. With a 17.5 volt supply the amplifier will deliver 2.5 watts across 8 ohms with a distortion of less than 1% at 1 kHz.