

## **+/- MOSFET STEP CONTROLLERS, BIPOLAR DRIVER/OUTPUT STAGE**

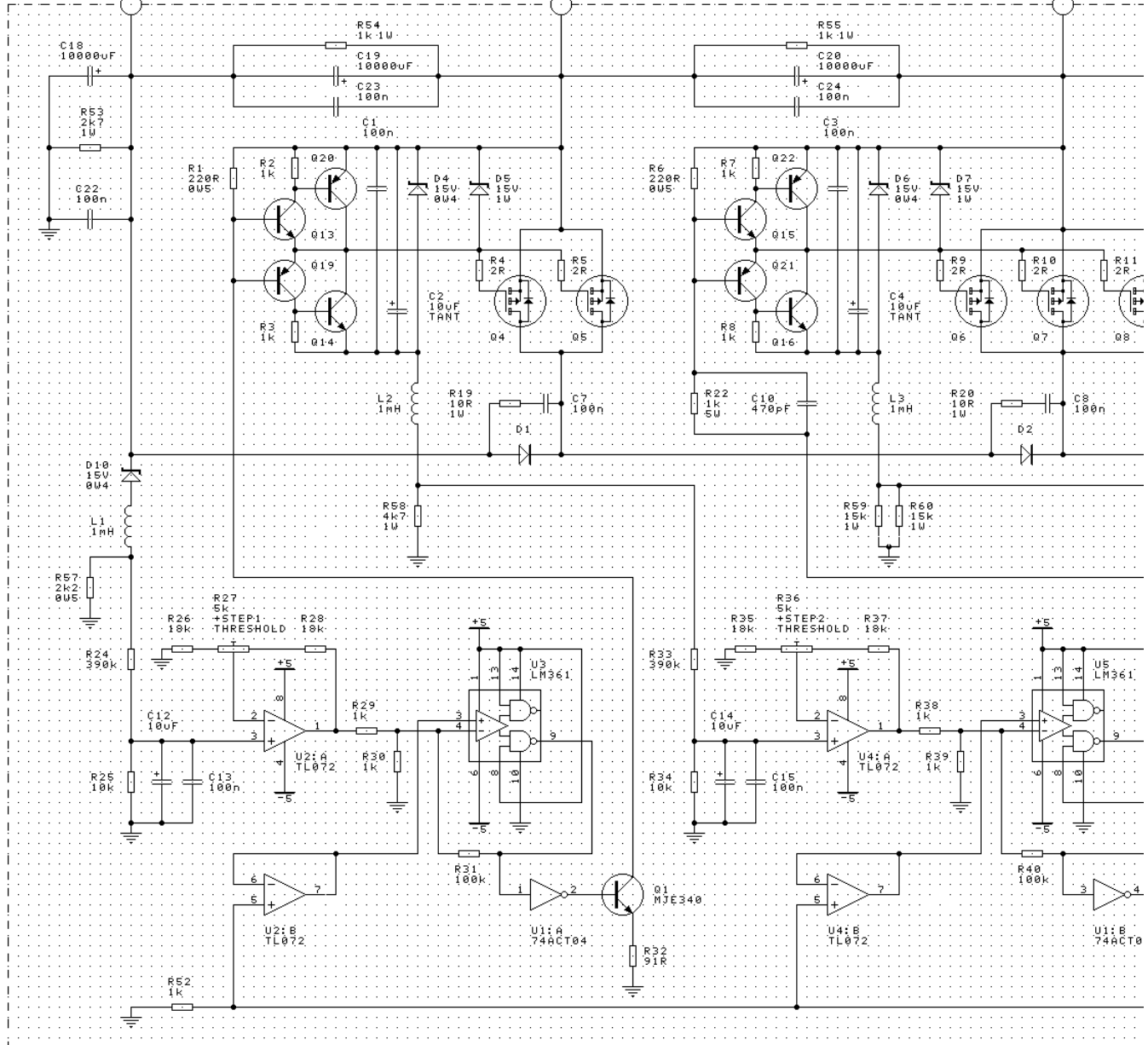
**This is the entire 5kW output stage, two of which are required for each channel (bridge configuration) to deliver 10kW RMS into the specified 2 ohm ( $I < 45$  deg.) load impedance.**

(c) 2001  
GLEN  
KLEINSCHMIDT

+40V

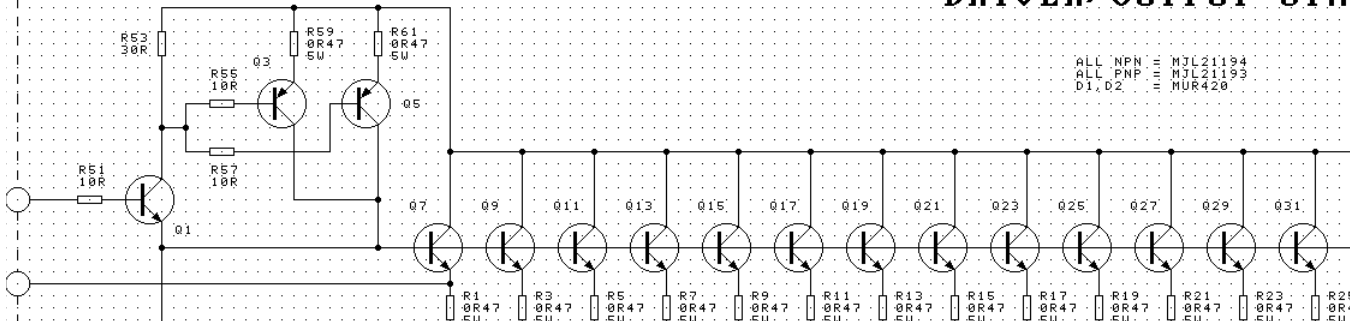
+65V

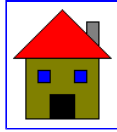
+90V



**DRIVER/OUTPUT STA**

ALL NPN = MJL21194  
ALL PNP = MJL21193  
D1, D2 = MUR420





[Home](#)