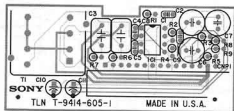
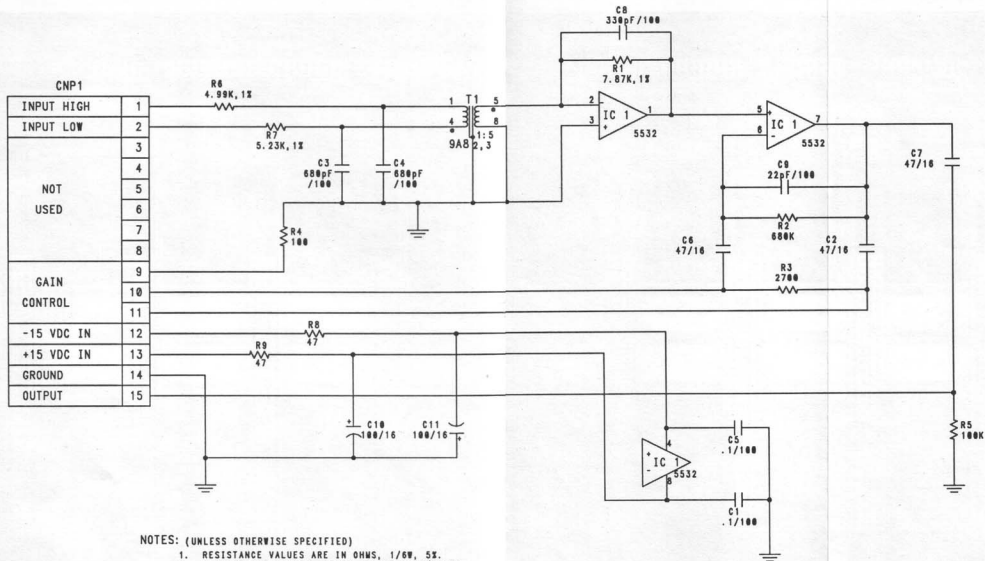


TLN (MXBK-LI23)

TLN BOARD (MXBK-LI23)
(MXBK-2901/2904/2909)
Transformer Line Amp



- SOLDER SIDE
- COMPONENT SIDE



NOTES: (UNLESS OTHERWISE SPECIFIED)

1. RESISTANCE VALUES ARE IN OHMS, 1/6W, 5%.
2. CAPACITANCE VALUES ARE IN MICROFARADS/VOLTS.
3. NOT SHOWN, PINS 6 & 7 OF T1 ARE ALSO GROUND.

HIGHEST REFERENCE DESIGNATORS USED

C11	CNP1	IC1	R9	T1	
-----	------	-----	----	----	--