

6

5

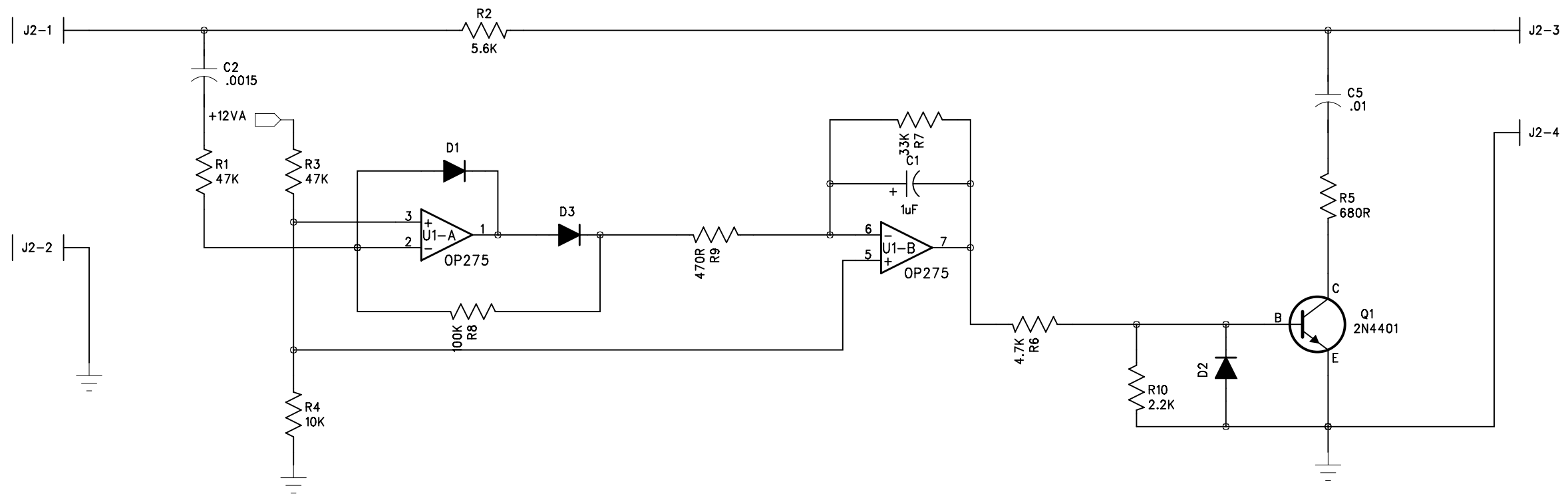
4

3

2

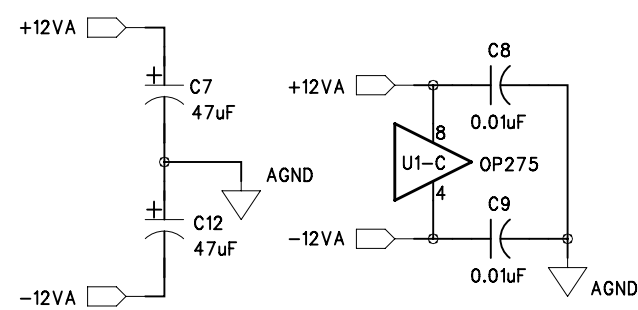
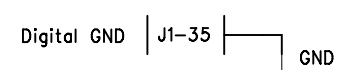
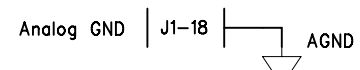
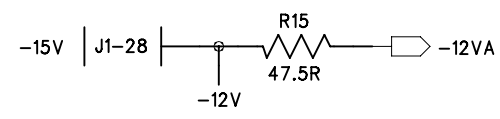
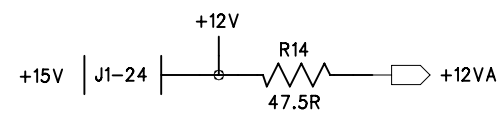
1

REVISION RECORD			
LTR	ECO NO:	APPROVED:	DATE:



Signal Present LED

Pre Level Master



COMPANY:			
TITLE: Dynamic Noise Limiter			
CODE:	SIZE:	DRAWING NO:	REV:
SCALLEE :		SHEET: 1 OF 1	

DRAWN: DF	DATED: 1/23/03
CHECKED:	DATED:
QUALITY CONTROL:	DATED:
RELEASED:	DATED:

D

C

B

A

D

C

B

A