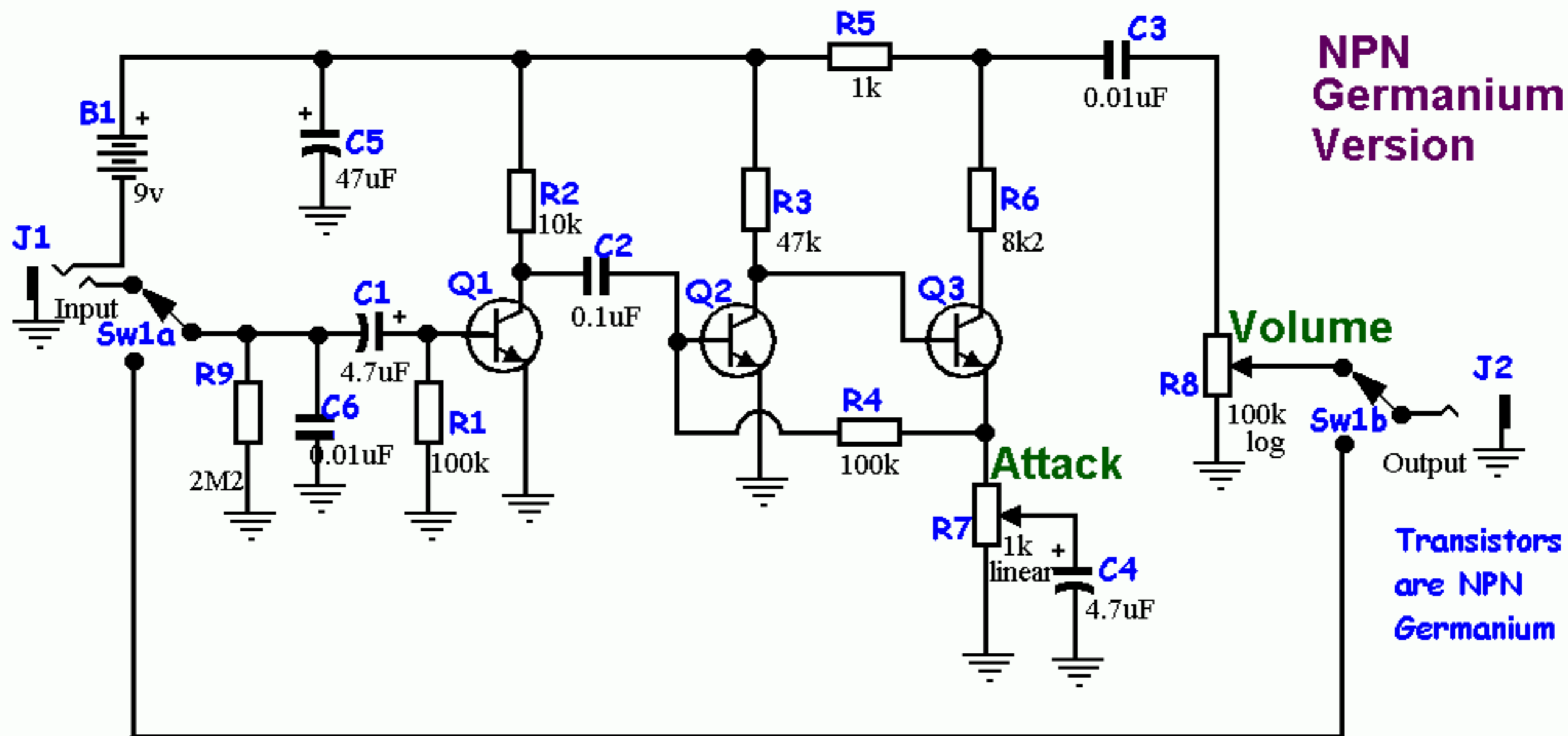


Tone Bender

Mark II Professional



Drawn by: JD Sleep

Revision: 2004JUN 29

Copyright 2004 JD Sleep

Permission refused for posting/serving this diagram from any site other than www.generalguitargadgets.com

Tone Bender

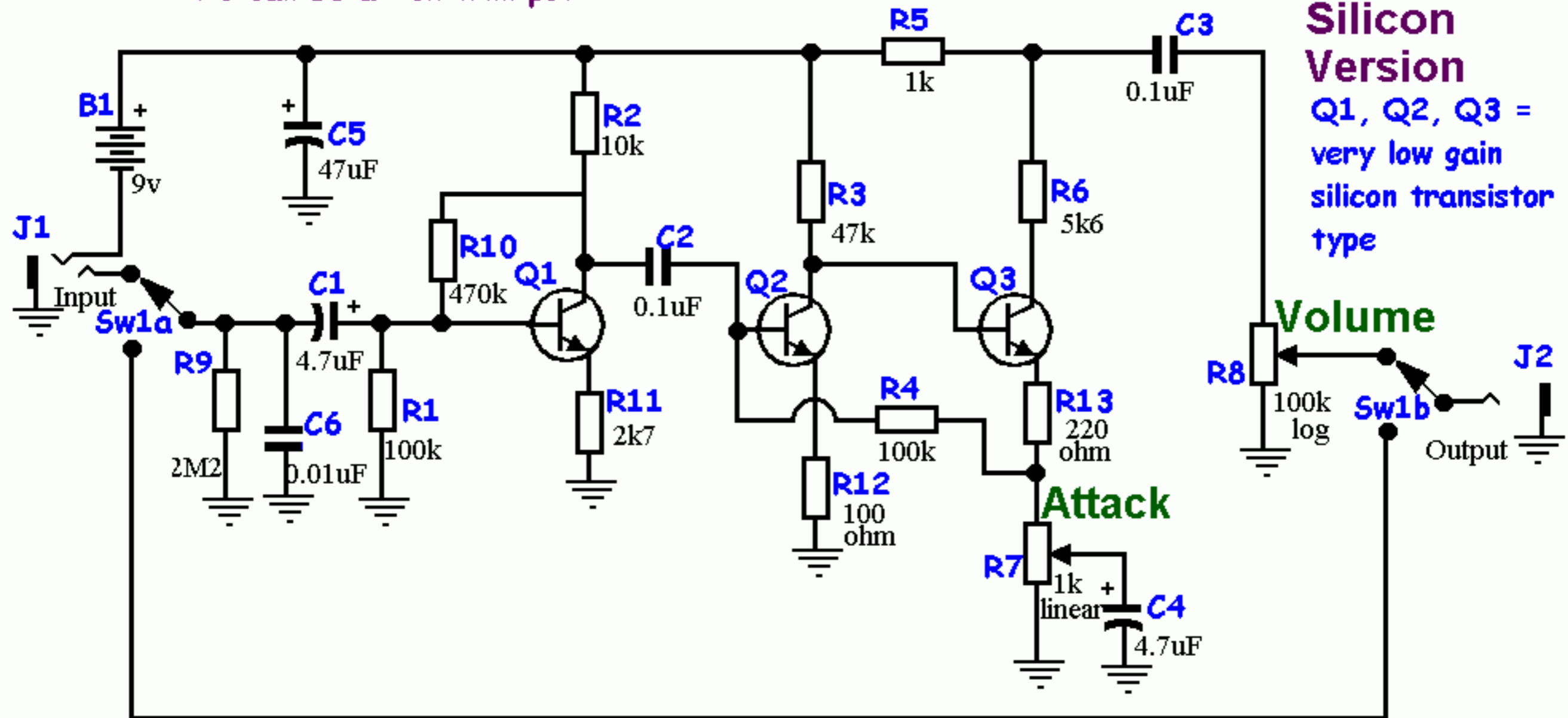
Mark II Professional

Mods by B. Tremblay, J. Orman Applied by RDV
R6 can be a 10k trim pot

NPN

Silicon Version

Q1, Q2, Q3 =
very low gain
silicon transistor
type



Drawn by: JD Sleep

Revision: 2004JUN 29

Copyright 2004 JD Sleep

Permission refused for posting/serving this diagram from any site other than www.generalguitargadgets.com