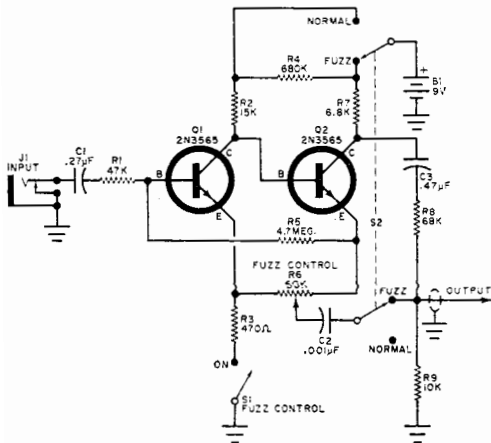


OUT OF TUNE

Fuzz-Box For Electric Guitar (*February, 1968, page 42*). In Fig. 1, the line between the wiper



of R_6 and FUZZ/NORMAL switch S_2 should be broken and capacitor C_2 inserted as shown above.