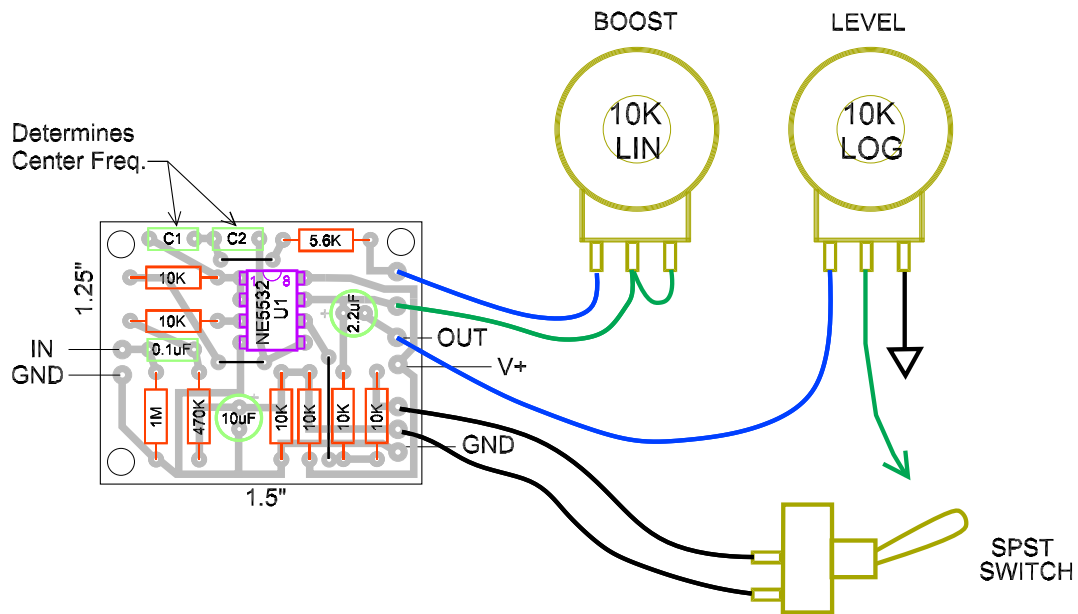


SCHMATIC

- * C1 & C2 CAP VALUE SUGGESTIONS:
- 0.22uF - 90Hz Lows (Rumble)
 - 0.1uF - 200Hz Low Mids (Dark)
 - 0.022uF - 1kHz Mids (Honk)
 - 0.01uF - 2kHz Mids (Presence)
 - 0.005uF - 4kHz Upper Mids (Sheen)



ANDERTON FREQUENCY BOOSTER
BY PAUL MAROSSY 10/1/05

