



D202W

A powerful and dynamic signal processor can be applied to wireless microphone, Mic-pre Amplifier. D202W supports easy to use graphical user interface. For quick sample evaluation, demo board (main board & control panel board) with 2*16 LCM display is available for customers. With rich producing experiences and algorithm variety, TrigAudio enables to provide high quality yet ideal cost DSP modules rival the level of worldwide famous brands.



D202W
FOR WIRELESS MIC

Features

- Premium application for wireless microphone, Mic-pre Amplifier
- 24 bit digital signal processing with 24 bit AD/DA converters, and support up to 96KHz sampling rate
- Demo board is available for quick sample evaluation
- Specialized Dedicated feedback cancelation auto mode and manual mode
- Authentic filter and phase function for easy adjustment
- High-resolution equalizer and dynamic processor can match for professional wireless mic receiver and support user-friendly control with display
- ROHS compliant (PB-free) is provided in all of our products

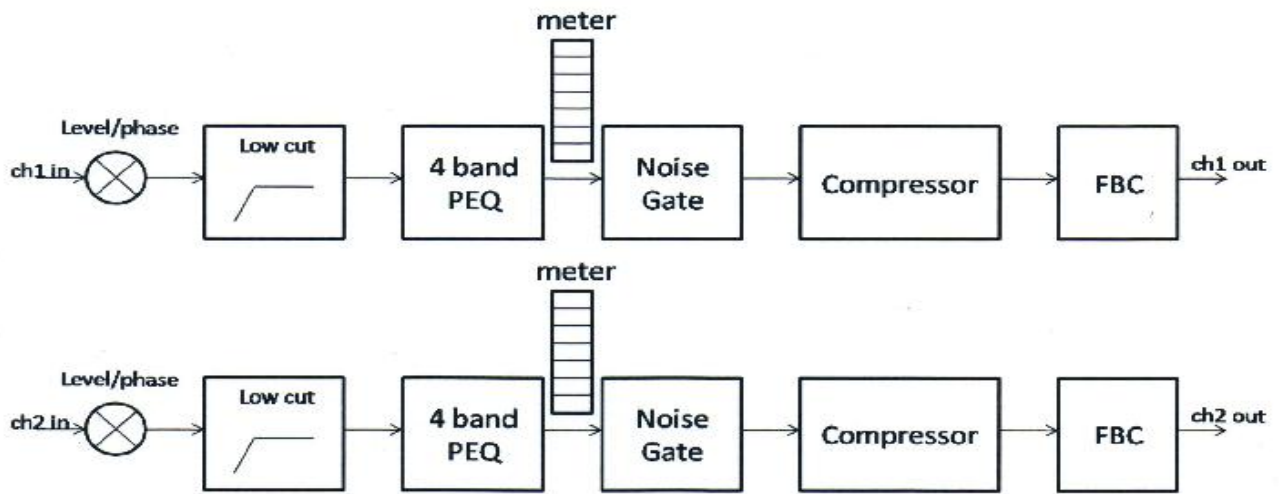
Specification

Analog input signal	2ch
Input impedance	100k Ω
Analog output signal	2ch
Output impedance	470k Ω
Maximum input level	0dBu or 2.8Vp-p
Maximum output level	0dBu or 2.8Vp-p
Nominal Level	0dB
DSP arithmetic	24x32 bit for filtering process
AD/DA conversion	24bit/48kHz
S/N ratio	>100dB
THD+N	0.015%@1kHz 0dB
Frequency response	20Hz - 20kHz +/- 0.5 dB
Power supply	DC +6V, 160mA (Without display & controls)
Consumption	150 mA

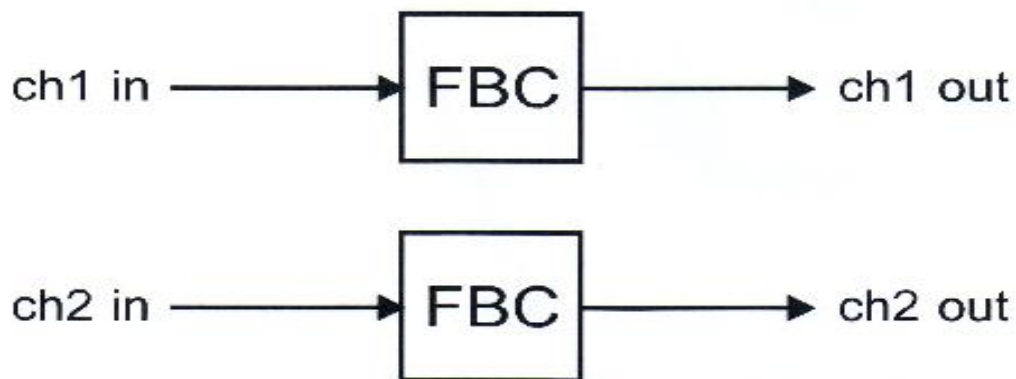


1. Block Diagram

(A) D202W



(B) D202W-FBC



FBC AUTO ON
Notch03 000 Hz

FBC MANUL ON
Notch01 04.09kHz