

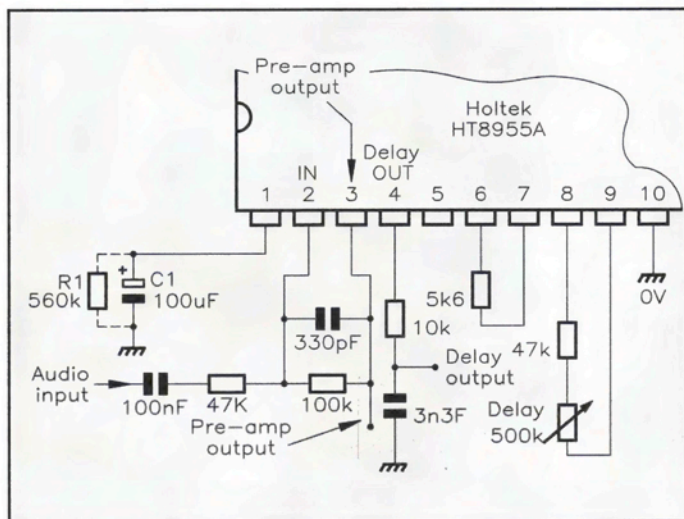
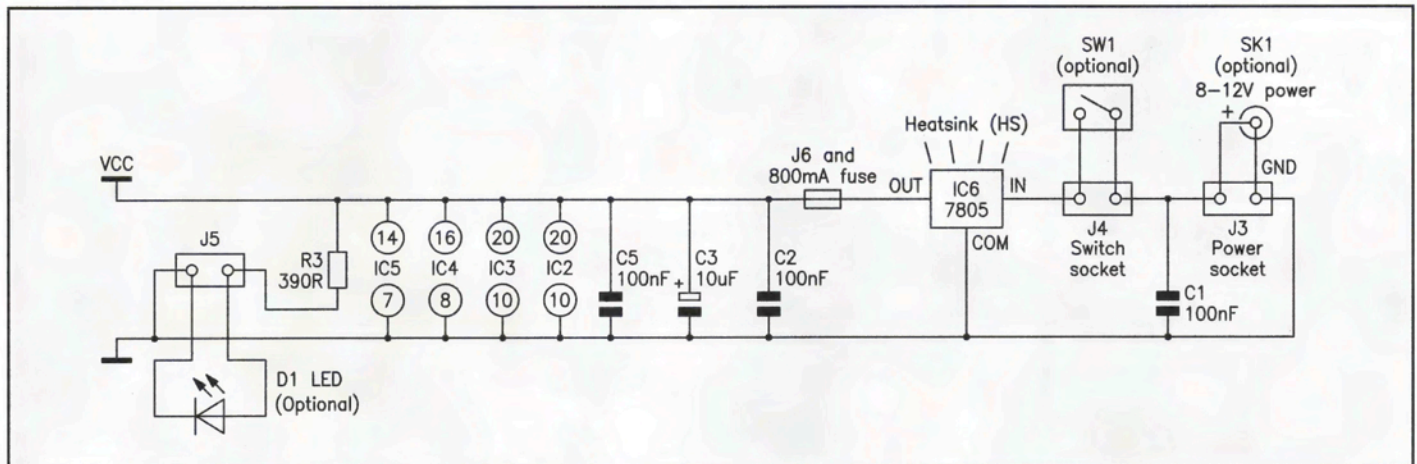
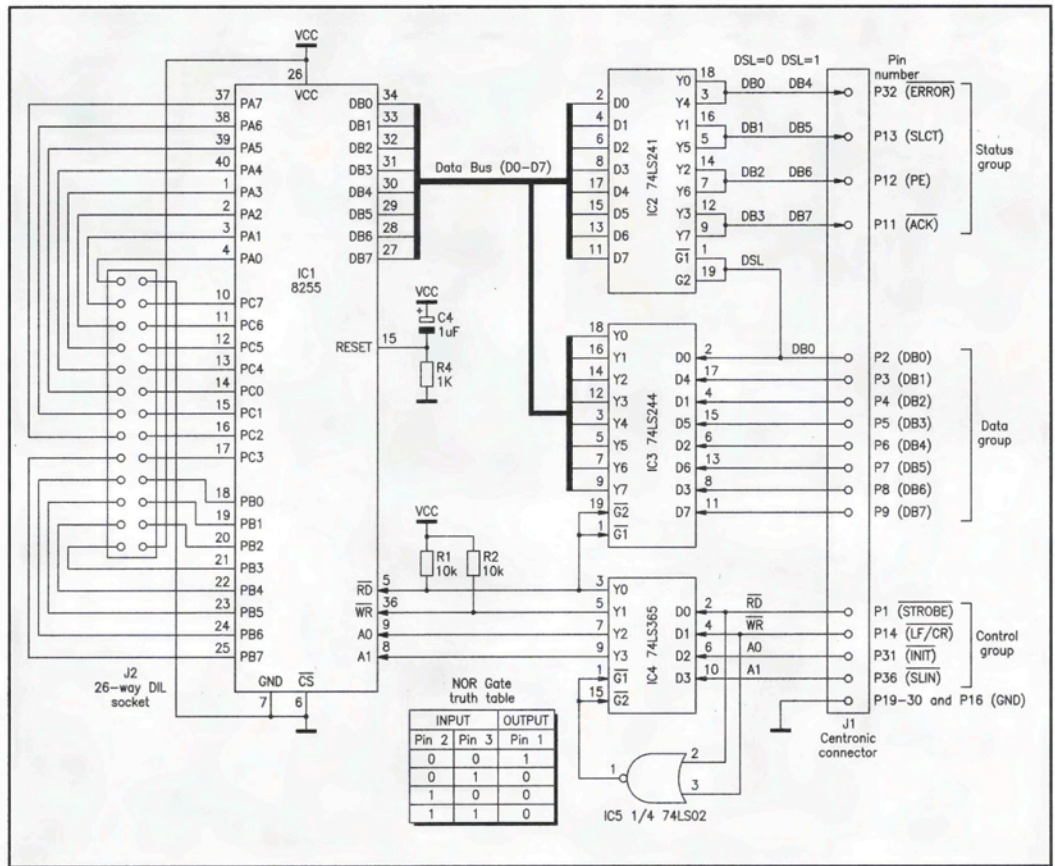
Heat Temperature Controller, Issue 112, April 1997.

The bottom right hand oscilloscope picture is incorrect.

The PCB drawing was actually printed to scale. The reader needs to ignore the scaling statement. The terminal blocks in the parts list should be JY93B 10mm. An updated version of the PCB will be published next month.

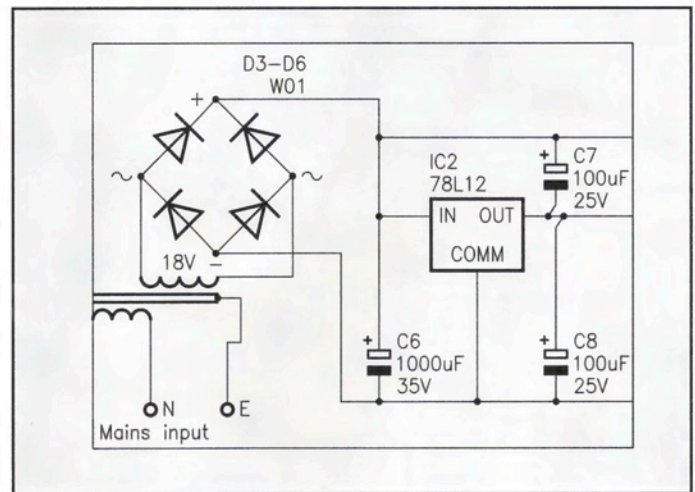
Centronic 24-line Input/Output Card Part 2, Issue 112, April 1997.

The two diagrams appeared with no interconnecting wires. We reproduce them here on the right and below.



Audio Delay Line Systems Part 4, Issue 112, April 1997.

Figure 6 should have no earth connection to pin 5 as shown here.



Video Optical Isolator, Issue 112, April 1997.

Figure 9. There should be no direct connection between the + and - of the diode bridge. The correct section of the diagram is reproduced here.