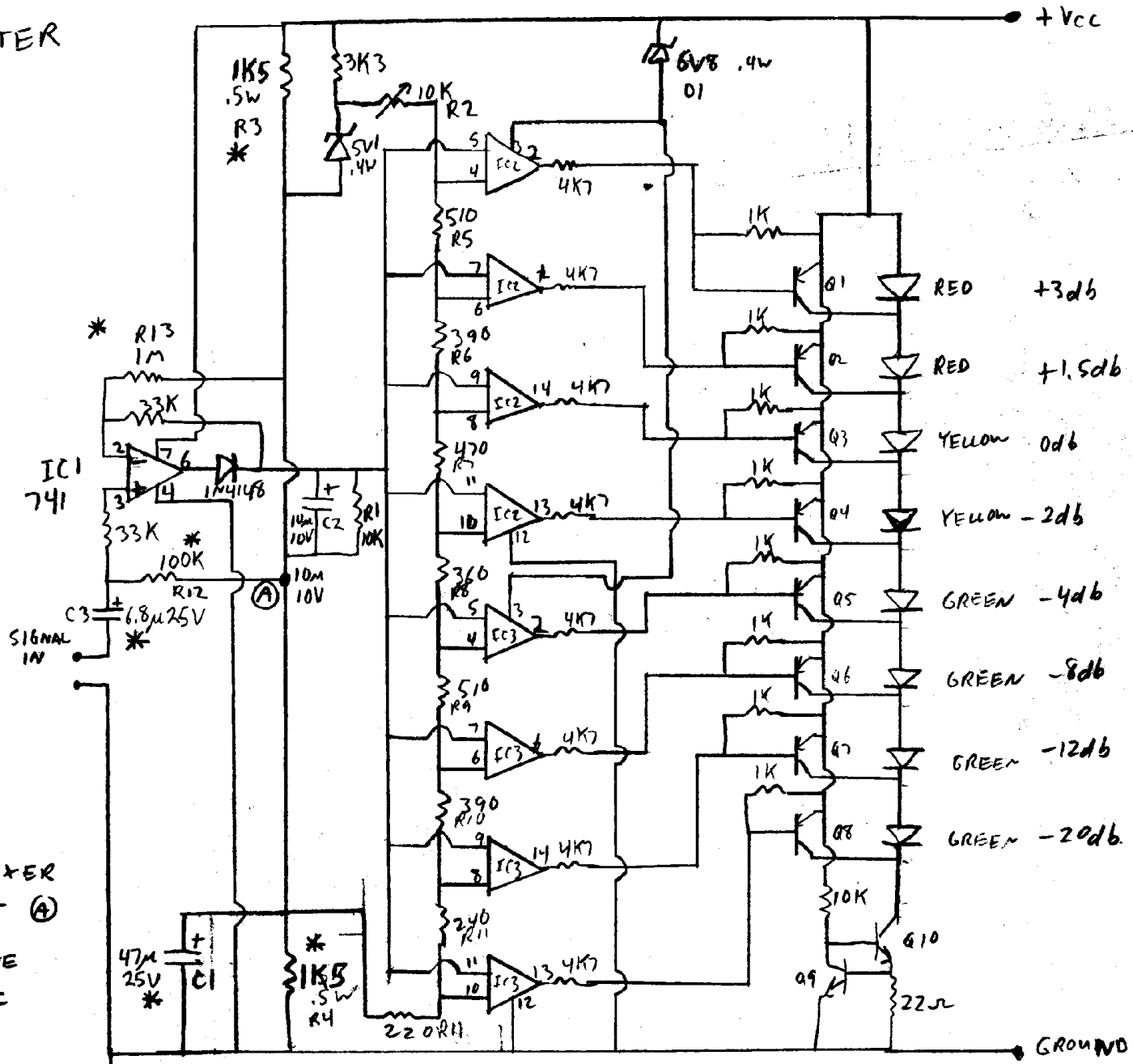


LED VU METER



* OMIT IN MIXER
AND GROUND POINT (A)
AND GROUND LINE
GOES TO -VCC
at -15V
+VCC = +15V

IC 2,3 = LM339

Q1-Q8 = 2N3906 OR 2N404
Q9 = 2N3904
Q10 = 2N3055 OR TIP29

MxE-1
Aug 19, 77
D. Fraser