

Missing Decimals

SIR:

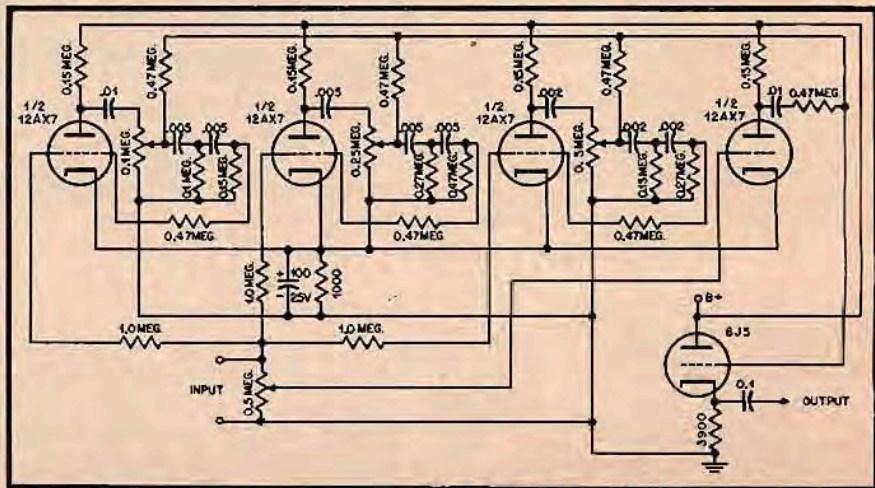
The article titled "Three-Element Bass Control" in the October issue appeared to be the best one I have ever seen. It is too bad that I can't build this control. You left off the decimal points and I can't tell if one resistor or another is required. For example, what is 01 or 047 or 005? Just where is the decimal point? And why does such a little thing get me so riled up I make all sorts of errors in typing this letter to you? (*He did, too.* Ed.)

H. A. ROLLINS,
2328 Proctor,
Garland, Texas.

(We're truly sorry for this condition, which has been reported by many readers. It appears that the photoengraving for the schematic was overetched, and the periods were all eaten off. However, because the circuit was of so much interest to readers, we remade the cut and a more legible schematic may be found on page 70. Ed.)

CORRECTED SCHEMATIC

The article, "A Three-Element Bass Control" by Glen Southworth, which appeared in the October issue has been the subject of considerable correspondence from readers who were plagued by the reproduction of the schematic, Fig. 5 on page 25. Remade, the cut now shows the decimal points in more readable proportions. *Æ* regrets the inconvenience caused to any of its readers.



AUDIO ENGINEERING • DECEMBER, 1953