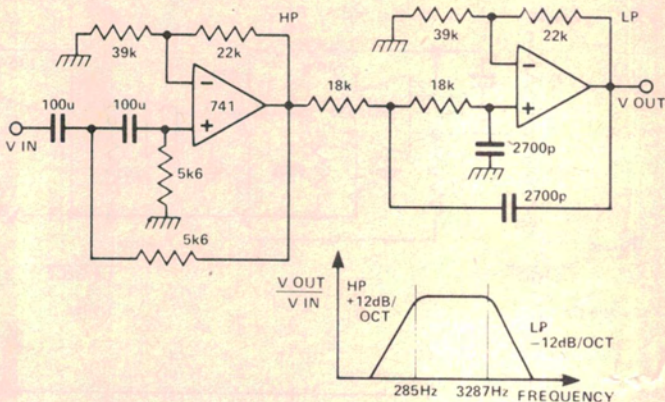


FILTERS



Speech Filter

For any purely speech audio system application — communications receivers, transceivers, dictaphones etc. — it is desirable, for best intelligibility, to limit the audio bandwidth to provide relatively steep rolloff below about 300 Hz and above about 3 kHz or so. Most speech information is contained between these limits. This circuit shows a simple bandpass filter system with 12 dB/octave rolloff below 285 Hz and above 3287 Hz. One unusual application of such a filter would be in a 'light show' system so that the display varies with voice variations of an announcer or performer.