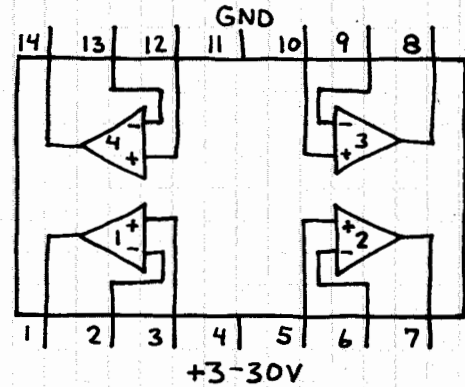


# QUAD OPERATIONAL AMPLIFIER LM324N

OPERATES FROM SINGLE POLARITY POWER SUPPLY. MORE GAIN (100 dB) BUT LESS BANDWIDTH (1 MHz WHEN GAIN IS 1) THAN THE LM3900 QUAD OP-AMP. NOTE UNUSUAL LOCATION OF POWER SUPPLY PINS. CAUTION: SHORTING THE OUTPUTS DIRECTLY TO V+ OR GND OR REVERSING THE POWER SUPPLY MAY DAMAGE THIS CHIP.



## BANDPASS FILTER

