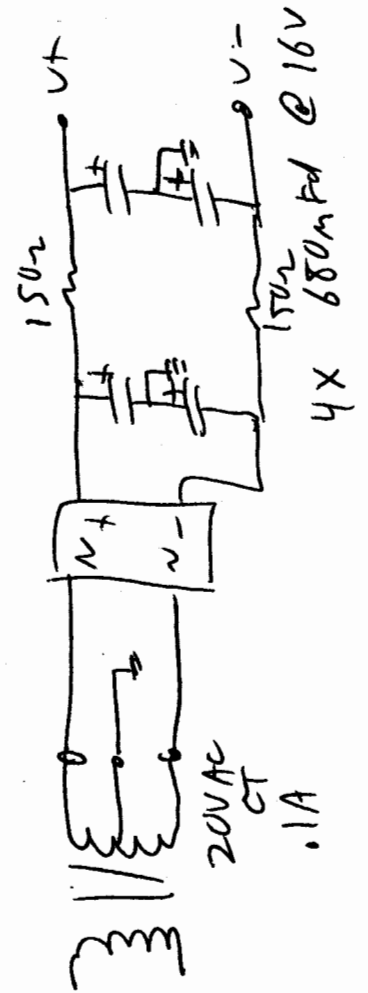


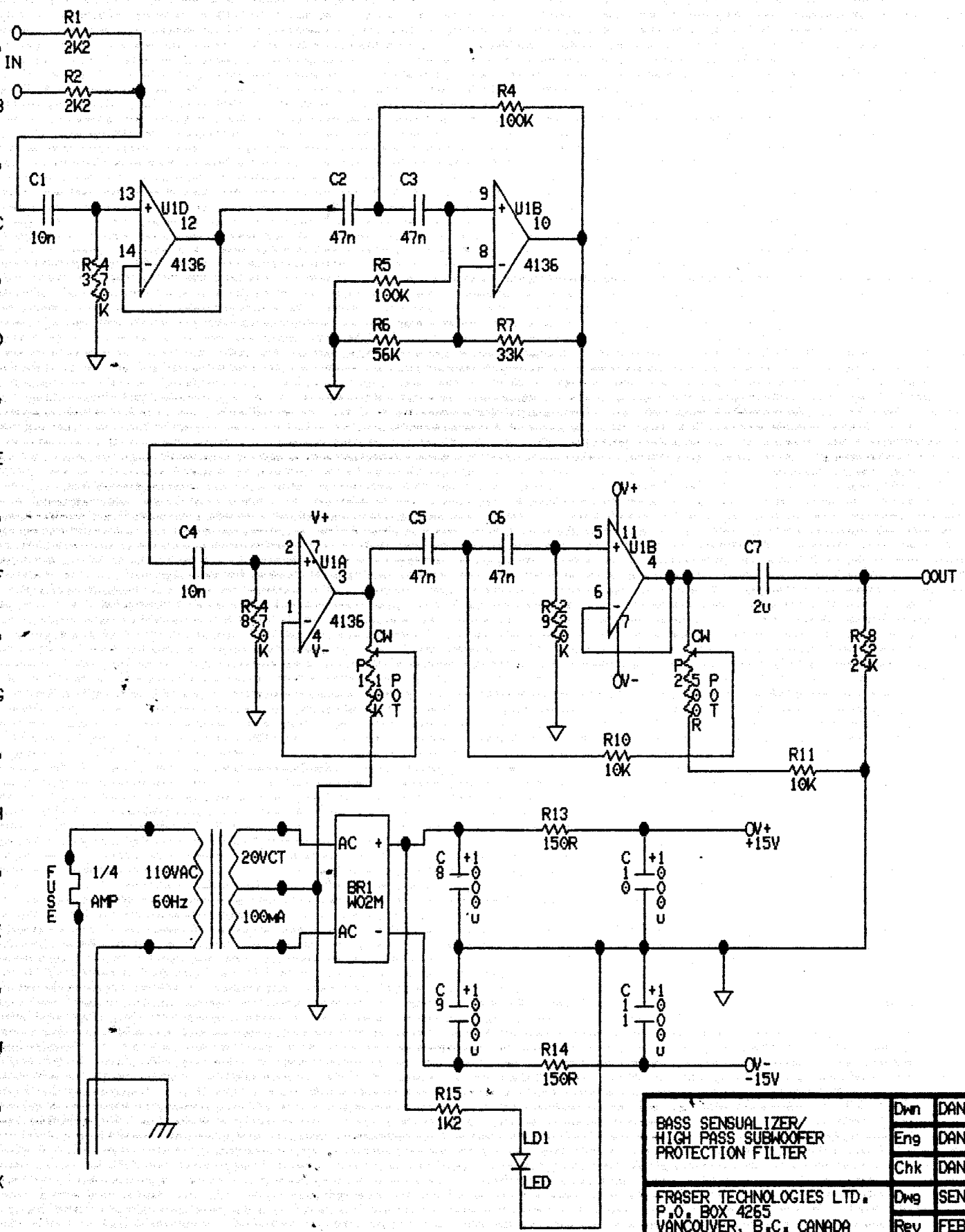
DC = mA4136

NOTE - CMS MAY BE JUMPERS UNLESS POWER AMP IS DC COMPLER.



BASS EXCITATOR / FILTER CIRCUIT

Dan Fraser  
1979



BASS SENSUALIZER/ HIGH PASS SUBWOOFER PROTECTION FILTER		Dwn	DAN FRASER
		Eng	DAN FRASER
		Chk	DAN FRASER
FRASER TECHNOLOGIES LTD. P.O. BOX 4265 VANCOUVER, B.C. CANADA V6B 3Z7		Dwg	SENLIZER
		Rev	FEB. 25/90
		Date	1979