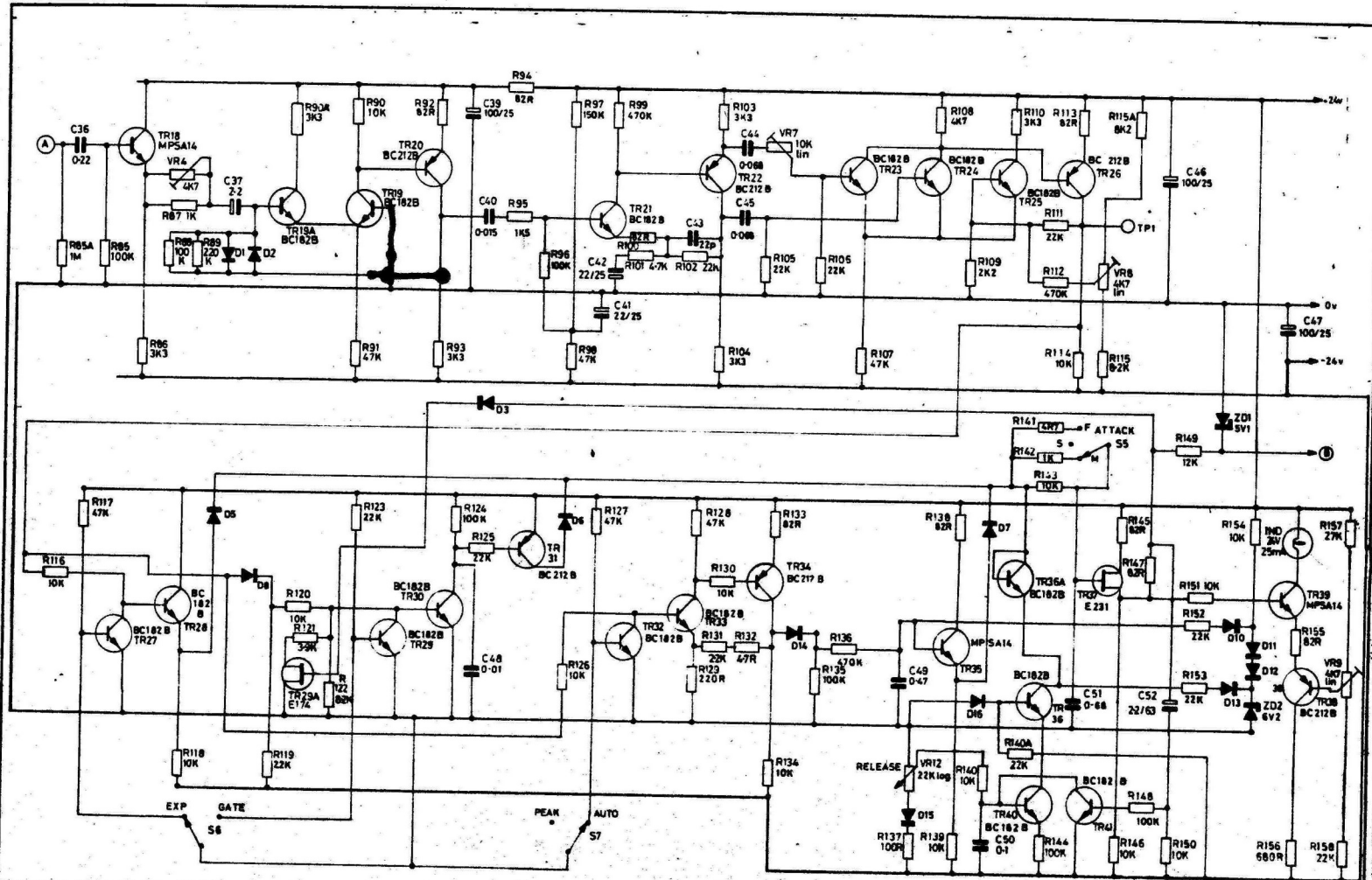
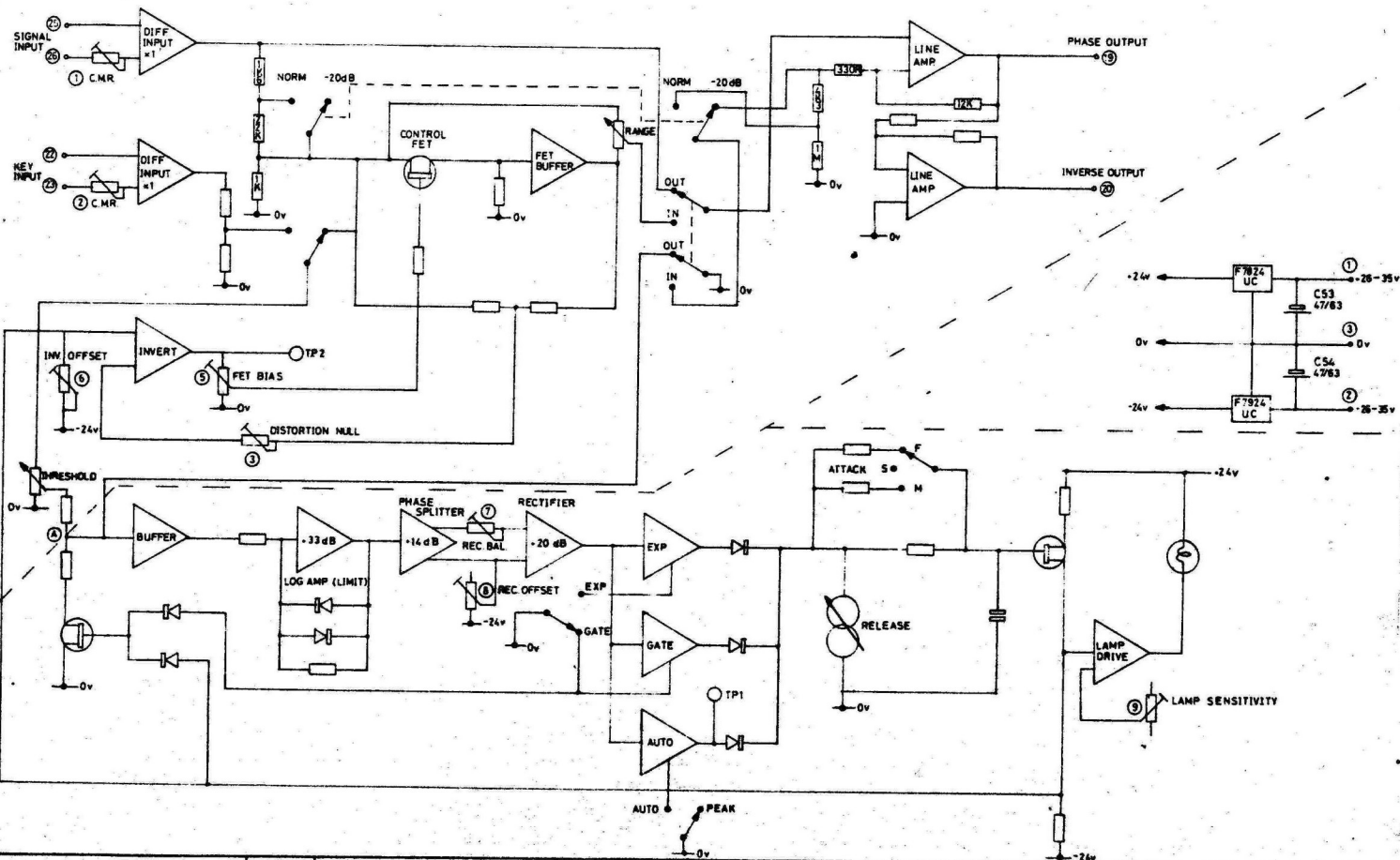


ALTERATION		USED ON		MATERIAL		FINISH		SCALE		TITLE	
				8		AUDIO & DESIGN RECORDING		F		F 300-2	
				CRANBOURNE ASSOCIATES				2/6/76		MAIN AUDIO PATH	
										DRG No ADR-0233-C1	
										A2	



		DIODE D9 DELETED.		MATERIAL		FINISH		SCALE		TITLE F300-2 SIDE-CHAIN	
				AUDIO & DESIGN RECORDING CRANBOURNE ASSOCIATES		AUDIO & DESIGN RECORDING CRANBOURNE ASSOCIATES		DATE 2/6/76		DRG No. ADR-0234-C1	
ALTERATION		USED ON		8		8		DATE 2/6/76		DRG No. ADR-0233-C1	
ALTERATION		USED ON		8		8		DATE 2/6/76		DRG No. ADR-0233-C1	

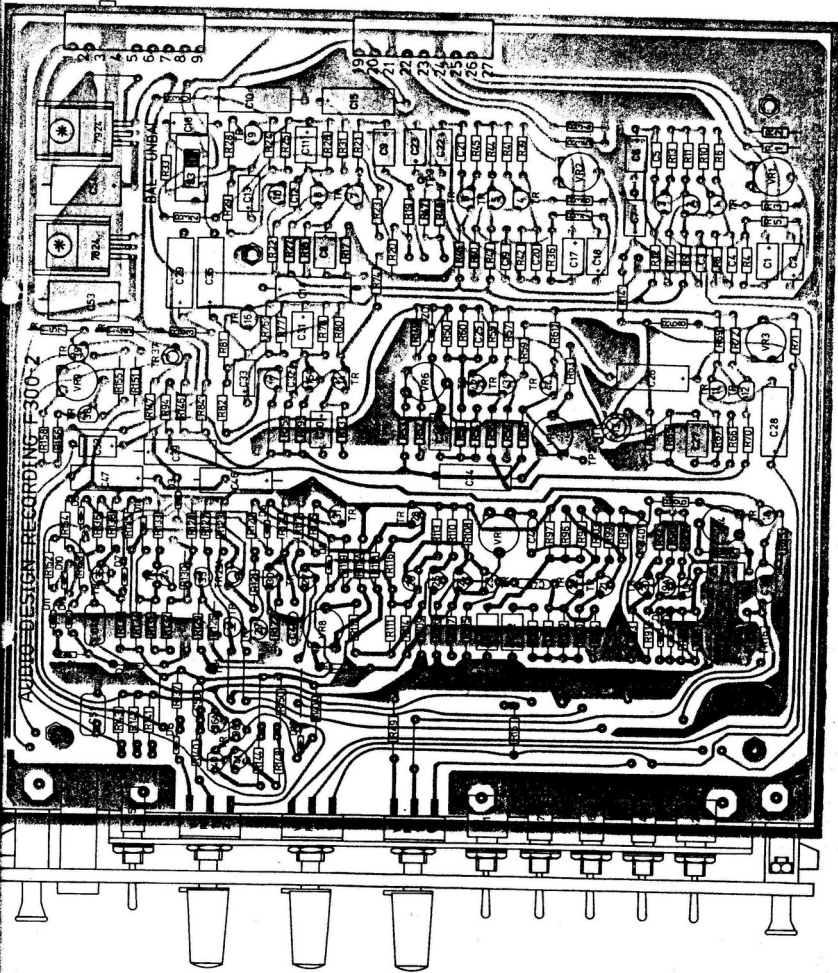


MATERIAL		FINISH		SCALE		TITLE F300-2 SCHEMATIC	
AUTO & DESIGN RECORDING CRANBURN ASSOCIATES		DATE 1/6/76		SIG. ISS.		DRG No ADR-0232-S	
ALTERATION		USED ON		DATE 1/6/76		DRG No ADR-0233-C1	

HT +ve  
HT -ve  
OV

PHASE O/P  
INVERSE O/P  
KEY I/P +ve  
KEY I/P -ve  
OV  
SIGNAL I/P +ve  
SIGNAL I/P -ve  
OV

AIRHEAD DESIGN RECORDING-300-Z



REVISIONS  
1. 10/10/57  
2. 10/10/57  
3. 10/10/57  
4. 10/10/57  
5. 10/10/57  
6. 10/10/57  
7. 10/10/57  
8. 10/10/57  
9. 10/10/57  
10. 10/10/57  
11. 10/10/57  
12. 10/10/57  
13. 10/10/57  
14. 10/10/57  
15. 10/10/57  
16. 10/10/57  
17. 10/10/57  
18. 10/10/57  
19. 10/10/57  
20. 10/10/57  
21. 10/10/57  
22. 10/10/57  
23. 10/10/57  
24. 10/10/57  
25. 10/10/57  
26. 10/10/57  
27. 10/10/57  
28. 10/10/57  
29. 10/10/57  
30. 10/10/57  
31. 10/10/57  
32. 10/10/57  
33. 10/10/57  
34. 10/10/57  
35. 10/10/57  
36. 10/10/57  
37. 10/10/57  
38. 10/10/57  
39. 10/10/57  
40. 10/10/57  
41. 10/10/57  
42. 10/10/57  
43. 10/10/57  
44. 10/10/57  
45. 10/10/57  
46. 10/10/57  
47. 10/10/57  
48. 10/10/57  
49. 10/10/57  
50. 10/10/57  
51. 10/10/57  
52. 10/10/57  
53. 10/10/57  
54. 10/10/57  
55. 10/10/57  
56. 10/10/57  
57. 10/10/57  
58. 10/10/57  
59. 10/10/57  
60. 10/10/57  
61. 10/10/57  
62. 10/10/57  
63. 10/10/57  
64. 10/10/57  
65. 10/10/57  
66. 10/10/57  
67. 10/10/57  
68. 10/10/57  
69. 10/10/57  
70. 10/10/57  
71. 10/10/57  
72. 10/10/57  
73. 10/10/57  
74. 10/10/57  
75. 10/10/57  
76. 10/10/57  
77. 10/10/57  
78. 10/10/57  
79. 10/10/57  
80. 10/10/57  
81. 10/10/57  
82. 10/10/57  
83. 10/10/57  
84. 10/10/57  
85. 10/10/57  
86. 10/10/57  
87. 10/10/57  
88. 10/10/57  
89. 10/10/57  
90. 10/10/57  
91. 10/10/57  
92. 10/10/57  
93. 10/10/57  
94. 10/10/57  
95. 10/10/57  
96. 10/10/57  
97. 10/10/57  
98. 10/10/57  
99. 10/10/57  
100. 10/10/57