

Fully Adjustable Compressor/Limiter

This design demonstrates a full-blown compressor/limiter with some neat bells and whistles. With a THAT 4301 at its heart, excellent performance is coupled with reduced parts count and minimal cost.

A non-linear capacitor circuit is used to provide low distortion for slow moving signals, but fast action in the presence of rapidly changing signal levels.

D5, when placed inside OA1's feedback loop by SW2A, creates a conventional hard-knee threshold response. When SW2A is in its other position, D5 is outside the op amp feedback loop, and an offset generated by D1 is injected into the summing node of OA1 that compensates for the D5's forward drop. The resulting "soft knee" is a consequence of the turn-on characteristic of the diode.

The network comprising R25, R31, and either R16 or R28 combine with the variable source impedance of VR7 to yield a 4:1 compression ratio when VR7 is centered.

Two timing modes are available -- auto and manual. In auto mode, the output of VR7 is connected to R16 via SW3. Attack and release rates are linked, and depend on the design of the non-linear capacitor circuit (see Design Note DN114 for more design information on the non-linear capacitor circuit).

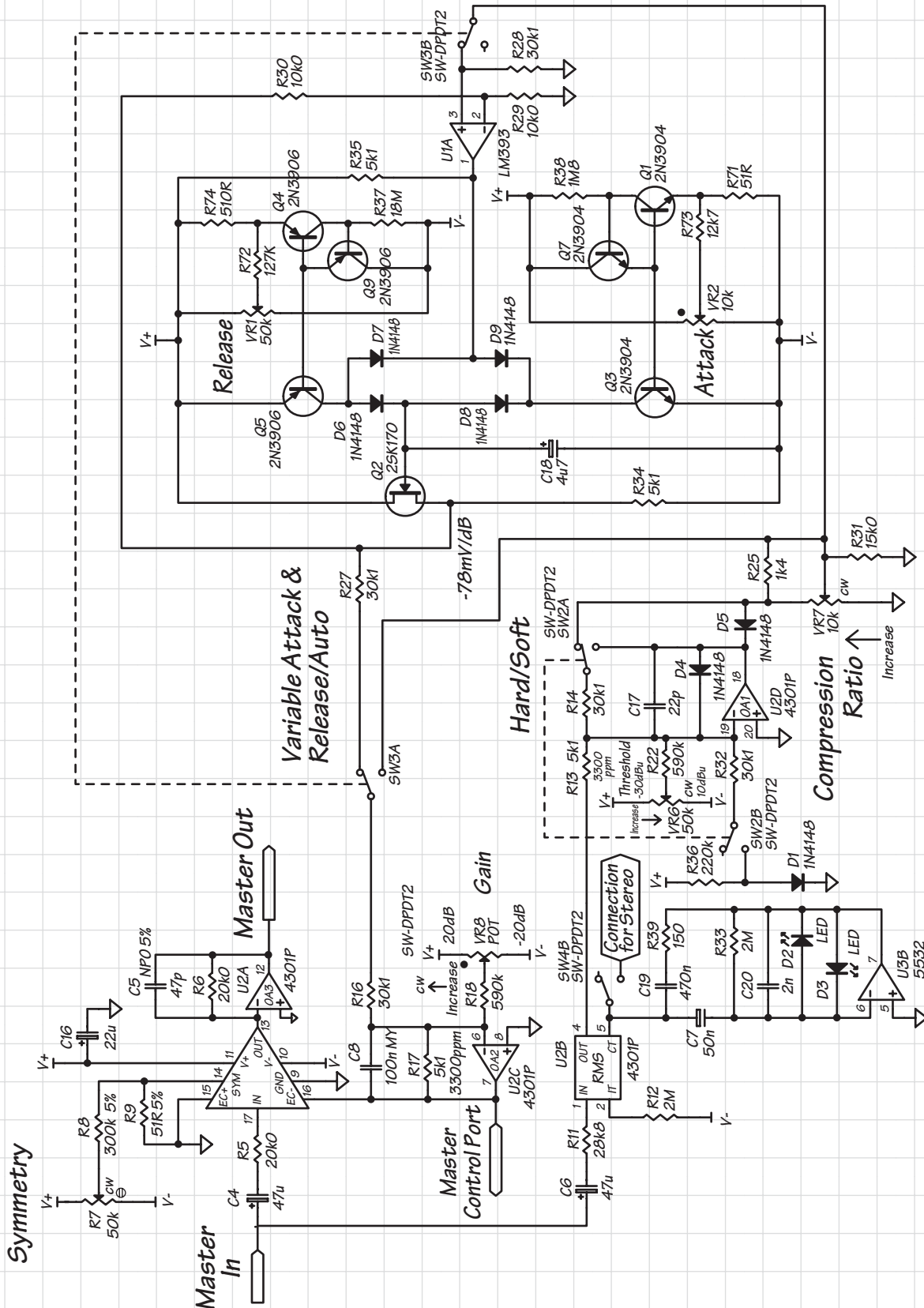
In manual mode, variable, independent adjustment of the attack and release dynamics are achieved by setting SW3 to steer the side-chain signal through the discrete transistor circuitry on the right side of the accompanying schematic. This circuit consist of a pair of adjustable current mirrors, a diode bridge to steer either the attack or the release current onto the storage capacitor C18, a FET to buffer the capacitor's voltage, and a feedback loop to maintain DC accuracy.

Q1 and Q3 are the mirror for the attack current. Q7 reduces bias current errors. R38, R73, R71, Q1, Q3, and Q7 give linear pot VR2 a logarithmic characteristic for setting the attack rate.

The release circuitry is a PNP-based, mirrored version of the attack circuitry.

To make a two-channel stereo compressor, one need only duplicate the circuitry shown and provide a means to link the two RMS detectors at their CT pins. Such coupling results in true power summing and a more euphonic behavior. Note that, when linking detectors in this manner, means to adjust for the +/- 3 dB tolerance on each detectors' 0 dB reference level must be provided.

Fully Adjustable Compressor/Limiter



THAT Corporation