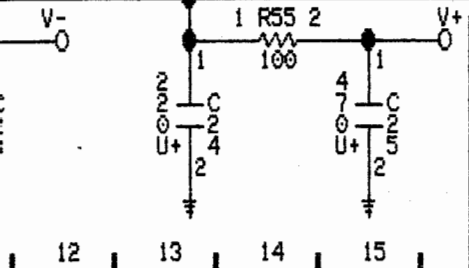
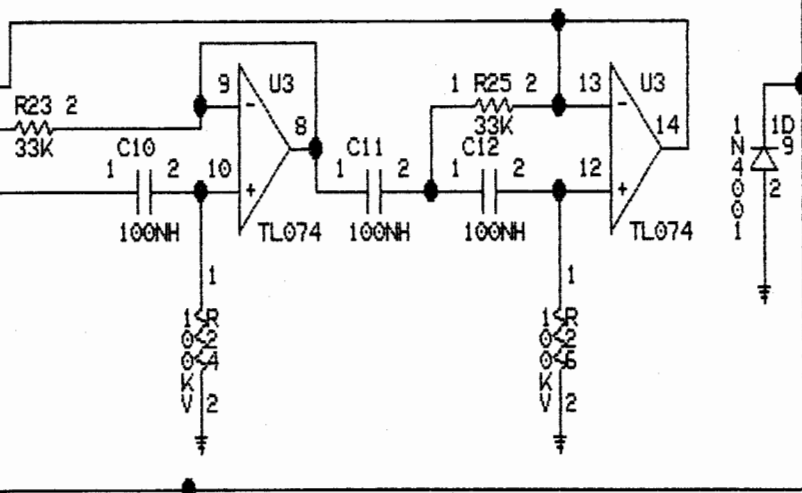
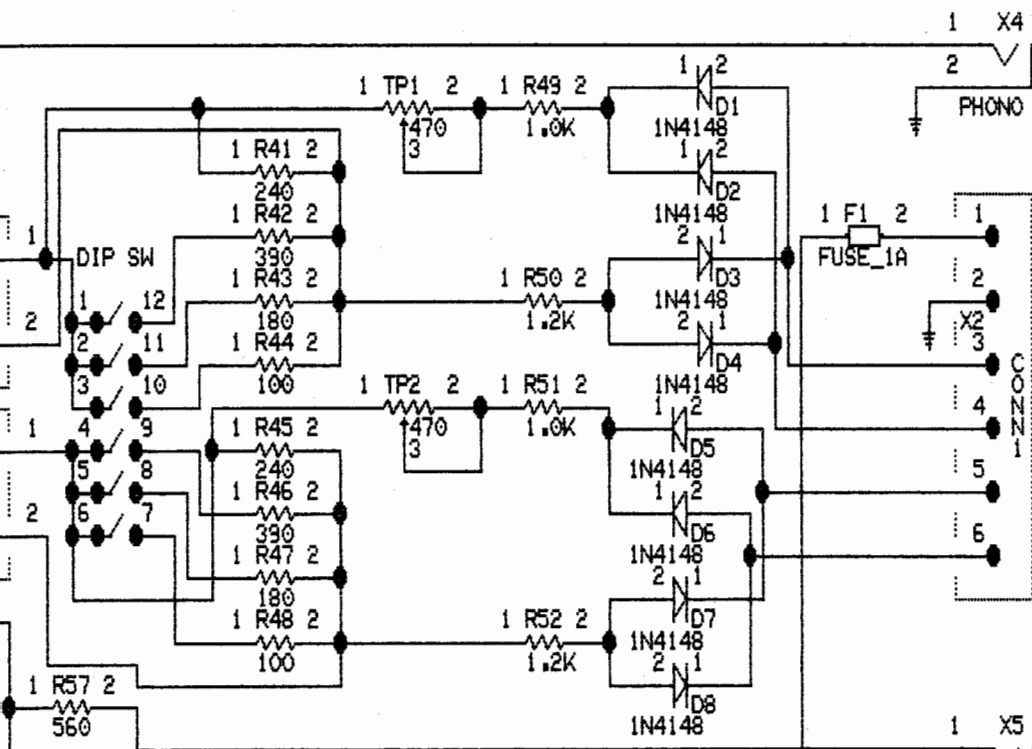


POWER SETTINGS ON MAIN DIP SWITCH
 0 = OFF 1 = ON

000000	=	25W RMS
001001	=	50W RMS
010010	=	80W RMS
011011	=	120W RMS
100100	=	150W RMS
101101	=	220W RMS
110110	=	300W RMS
111111	=	400W RMS

DUAL DIP SWITCH SETTINGS
 OFF = FAST RELEASE TIME
 ON = SLOW RELEASE TIME



LOW FREQUENCY FILTER/LIMITER FOR AVI SOUND INTERNATIONAL		Dwn	DAN FRASER
		Eng	DAN FRASER
		Chk	
FRASER TECHNOLOGIES LTD. 7809 - 127 St. SUUREY, B.C., CANADA V3W 4B2 PHONE (604) 595-4010 © 1992		Dwg	AVI_LIM
		Rev	JULY 26/92
		Date	JUNE 23/92