

# [Amplifier Circuit](#)

Amplifier circuit guide – project designs – reviews

- [HOME](#)
- [Audio Amplifier](#)
- [RF Amplifier](#)
- [Tube Amplifier](#)
- [Video Amplifier](#)
- [Privacy Policy](#)
- [Disclaimer](#)

Like

[Tweet](#)

[Audiophile Phono Preamp](#) Super quiet, 85dB S/N; only \$43.50 Available in silver or black finish [www.phonopreamps.com](http://www.phonopreamps.com)

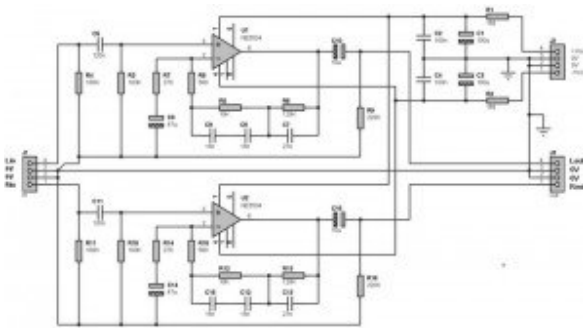
[GE Energy Lineage Power®](#) DC-DC Board Mounted Power Solutions Isolated and Non-Isolated (POL) [www.lineagepower.com/or](http://www.lineagepower.com/or)

[Quantum-SI](#) Integrated Static Timing, Signal Integrity and Crosstalk Analysis [www.sisoft.com](http://www.sisoft.com)

AdChoices 

ADVERTISEMENT

## [RIAA Stereo Preamplifier Classic Version based on NE5534](#)



Here the RIAA stereo preamplifier classic version based on NE5534. This setting is intended for use with a vinyl turntable equipped with an analog output (RCA). It provides the dual function of pre-amplification and RIAA correction. This RIAA pre amp circuit is suitable for MM cells (Moving Magnet), and is not suitable for cell MC (Moving Coil). It is slightly more efficient than “RIAA stereo preamplifier classic version, based on the NE5532”.

Read More: [RIAA Stereo Preamplifier Classic Version based on NE5534](#)

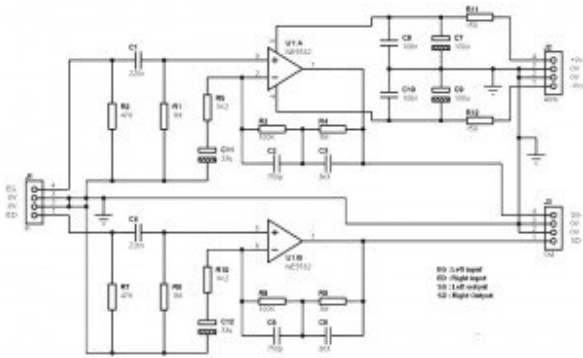
Written by Amplifier Circuit

December 24th, 2011 at 10:03 pm

Posted in [Pre-amplifier](#)

Tagged with [NE5534](#), [RIAA pre amp](#), [RIAA pre amp circuit](#), [RIAA stereo preamplifier](#), [vinyl turntable pre amp](#)

## [RIAA Stereo Preamplifier Classic Version based on NE5532](#)



This RIAA stereo preamplifier uses only conventional components, you can easily find components at electronics store. The circuit is intended to be used with a vinyl turntable equipped with analog outputs (RCA). It provides the dual function of preamplifier and RIAA correction. This circuit is suitable for a MM (Moving Magnet), and is not suitable for a MC (Moving Coil).

Read More: [RIAA Stereo Preamplifier Classic Version based on NE5532](#)

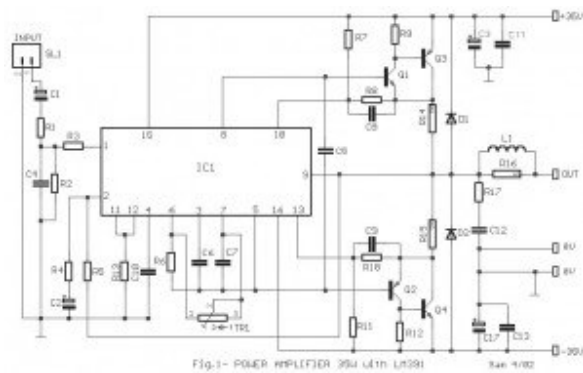
Written by Amplifier Circuit

December 22nd, 2011 at 2:57 pm

Posted in [Pre-amplifier](#)

Tagged with [NE5532](#), [NE5532 circuit](#), [RIAA stereo preamplifier](#), [stereo preamplifier](#), [turntable pre amp](#)

## [35W Audio Amplifier based LM391](#)



This is the circuit diagram of a 35W audio amplifier based on LM391. The LM391 is a comprehensive driver to the power transistors. It needs only few external components to work. With the TR1 we can adjust the bias current to 45mA. Inductor L1 consists of 20 turns of wire thickness of 0.9mm, around the resistor R16. The transistors Q3-4 must be placed onto a heatsinks. If you use the Q3-4 with type of TIPxxxx, you can be placed directly onto the board. But if you use packaged transistors TO-3, then it should be connected with short cables to the respective positions of the board.

Read More: [35W Audio Amplifier based LM391](#)

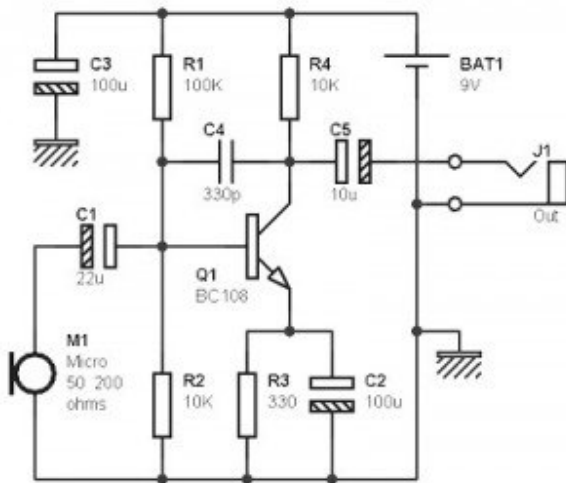
Written by Amplifier Circuit

December 20th, 2011 at 3:10 am

Posted in [Audio Amplifier](#)

Tagged with [35W amplifier circuit](#), [35W amplifier schematic](#), [35W audio amplifier](#), [35W power amplifier](#), [LM391 circuit](#)

## [Mono Preamp Mic based BC108 Transistor](#)



The microphone preamp based transistor described here is powered by 9 V and less than 1 mA current consumption, it will allows you to use a small 9 V rectangular conventional battery for several hours.

Read More: [Mono Preamp Mic based BC108 Transistor](#)

Written by Amplifier Circuit

December 20th, 2011 at 12:39 am

Posted in [Pre-amplifier](#)

Tagged with [9 V powered pre amp mic](#), [BC108](#), [dynamic microphone pre amp](#), [microphone preamp based transistor](#), [microphone preamp circuit](#)

[PC Boards & SMT Stencil](#) Prototype PCBs from 24 hrs, \$200 SMT-stencil \$125 with Accuframe [www.PncOnline.com](http://www.PncOnline.com)

[Precision Circuits Canada](#) We Have Been Manufacturing The Best Circuit Boards Since 1982. Call Now [www.precisioncircuitscar](http://www.precisioncircuitscar)

[Mil-Grade Pluggable Power](#) Rugged 1U Hot Swapable Power System Universal AC, wide range of outputs [www.ajpower.com](http://www.ajpower.com)

AdChoices

ADVERTISEMENT

Page 3 of 30 [1](#) [2](#) [3](#) [4](#) [5](#) ... [10](#) [20](#) [30](#) ... [»](#) [Last »](#)

•

6 readers  
BY FEEDBURNER

Sponsored Links

### Recent Posts

- [5 Watt Audio Amplifier based LA4460](#)
- [200 Watt MOSFET Amplifier](#)
- [100 W Basic MOSFET amplifier](#)
- [Headphones Amplifier based LM741](#)
- [Amplifier Circuit using MOSFET Output Stage](#)
- [Hydrophone Preamplifier based on Op-Amp OPA37](#)
- [Video Amplifier Circuit based IC LM359](#)
- [Simple RIAA Preamplifier using Logic IC CD4069](#)

### Blogroll

- [Circuit Diagram](#)
- [Electronics Online](#)
- [Inverter Circuit](#)
- [Power Supply Circuit](#)
- [Wiring Schematics](#)

### Amplifier Circuit Search

[lm358 mic ampli](#), [class a tube ampifier](#), [lm386 pcb](#), [ka2206 ic audio circuit](#), [schematic ampli guitar 25 w jfet](#), [car audio power amplifier schematics](#), [TL072 schematic preamp guitar single supply](#)

© 2012 · [Amplifier Circuit](#) · [Sitemap](#) Template by [Lucian E. Marin](#)