

FIG. 2—POWER-SUPPLY SCHEMATIC. It's a push-pull forward inverter with pulse-width modulation voltage regulation. Relay RY101 is energized via the 12-volt control lead, applying power to the pulse-width-modulator chip IC101 and the power transformer center tap.

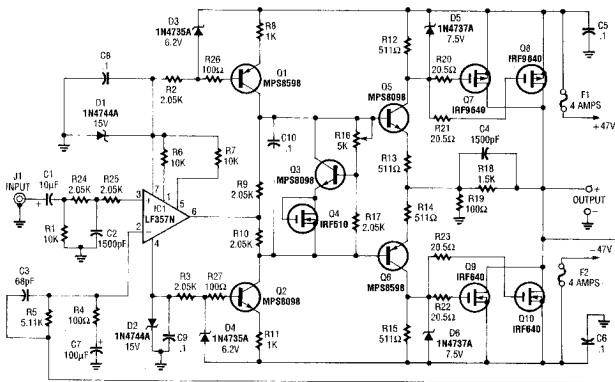


FIG. 3—THE LEFT AND RIGHT AMPLIFIERS are identical and the parts numbered the same except for an L or R suffix; here's one of the amplifiers.