

6

5

4

3

2

1

REVISION RECORD			
LTR	ECO NO:	APPROVED:	DATE:

CHOOSE R9 FOR DESIRED GAIN - Could be 100K trimmer  
 C7 = 47P to 100P

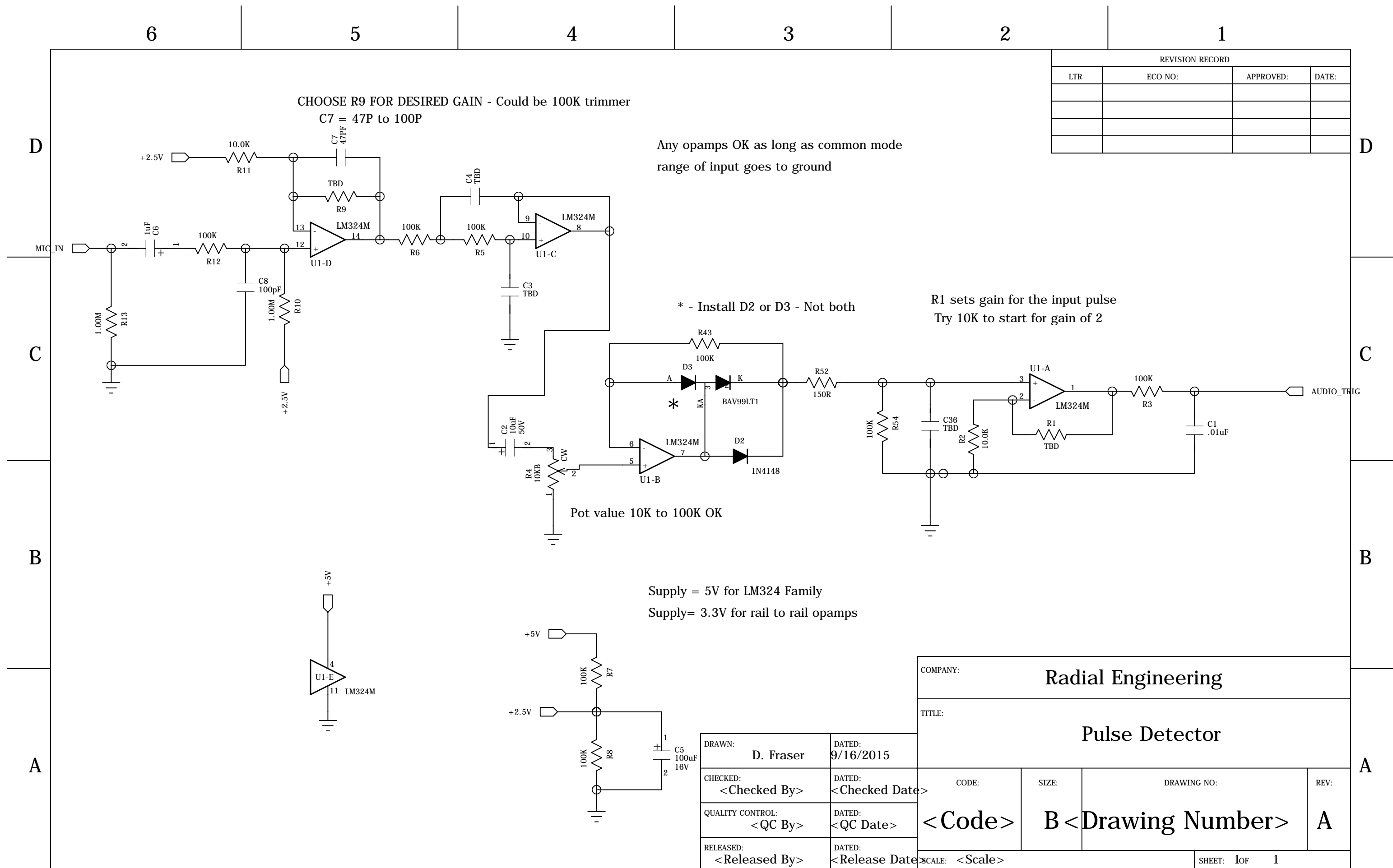
Any opamps OK as long as common mode range of input goes to ground

\* - Install D2 or D3 - Not both

R1 sets gain for the input pulse  
 Try 10K to start for gain of 2

Pot value 10K to 100K OK

Supply = 5V for LM324 Family  
 Supply = 3.3V for rail to rail opamps



COMPANY:				Radial Engineering			
TITLE:				Pulse Detector			
DRAWN:	DATED:	CODE:	SIZE:	DRAWING NO:		REV:	
D. Fraser	9/16/2015	<Code>	B	<Drawing Number>		A	
CHECKED:	DATED:	SCALE: <Scale>		SHEET: 1 of 1			
<Checked By>	<Checked Date>						
QUALITY CONTROL:	DATED:						
<QC By>	<QC Date>						
RELEASED:	DATED:						
<Released By>	<Release Date>						