



Other Parts Discussed in Post: [INA134](#)

Monolithic [difference amplifiers](#) are integrated circuits that incorporate an operational amplifier (op amp) and four or more precision resistors in the same package. They are incredibly useful building blocks for analog designers who need to convert a differential signal to a single-ended one while rejecting common-mode signals. For example, the [INA134](#), shown in Figure 1, is intended for use as a line receiver for differential audio interfaces.

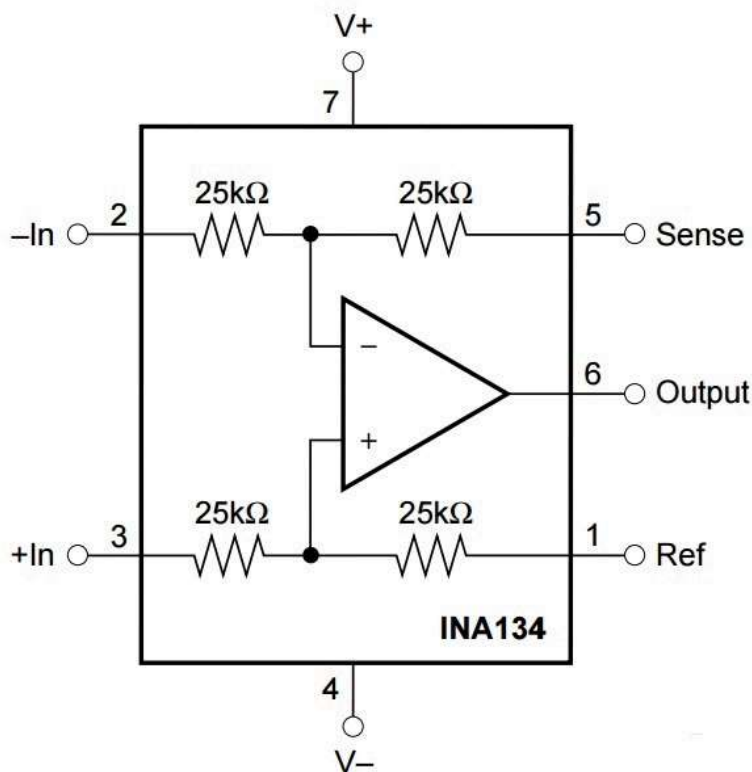


Figure 1: A simplified internal schematic of the [INA134](#) differential line receiver

Although most designers are comfortable with this simple building block, I find that one aspect of their use is commonly overlooked: the two inputs of a difference amplifier have different effective input resistances. By “effective input resistance,” I mean the input resistance resulting from both the internal resistor values and the op amp’s operation.

Figure 2 shows a typical configuration of the [INA134](#) with input voltages and currents labeled, as well as the voltages at the input nodes of the internal op amp.

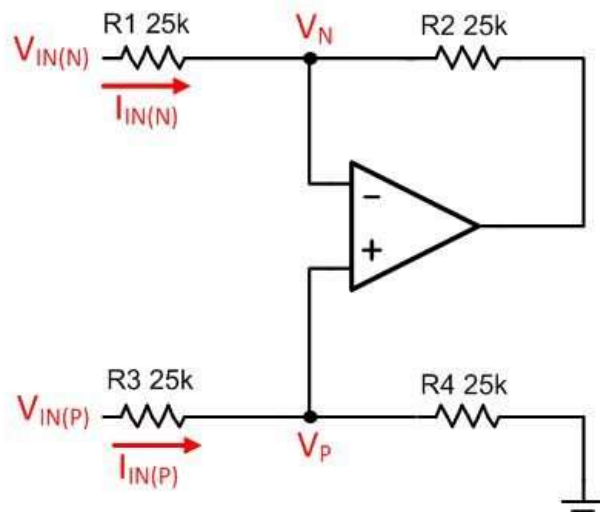


Figure 2: Relevant voltages and currents for the effective input resistance analysis of a difference amplifier

For each input, Equation 1 defines the effective input resistance as:

$$R_{IN} = \frac{V_{IN}}{I_{IN}} \quad (1)$$

Let's start with the easy part first: the noninverting input. Looking at the diagram in Figure 2, you can see that R3 and R4 are in series. Assuming that no current enters or leaves the op amp input, Equation 2 calculates the effective input resistance as simply:

$$R_{IN(P)} = R_3 + R_4 \quad (2)$$

Now let's focus on the inverting input. Recall from the ideal op amp rules that the two inputs of the op amp should always be at the same potential (Equation 3):

$$V_P = V_N \quad (3)$$

You can also see that R3 and R4 form a voltage divider at the noninverting input. Equation 4 calculates the voltage at the op amp's noninverting input (V_P) as:

$$V_P = \frac{R_4}{R_3 + R_4} V_{IN(P)} \quad (4)$$

Why is this important? Well, this voltage partly determines the effective input resistance of the inverting input. Consider that the current through R1 ($I_{IN(N)}$) is the voltage across it divided by its resistance

• (Equation 5):

$$I_{IN(N)} = \frac{V_{IN(N)} - V_N}{R_1} \quad (5)$$

Substituting Equation 5 for input current back into Equation 1 gives you Equation 6, a generic equation for the resistance of the inverting input:

$$R_{IN(N)} = \frac{V_{IN(N)}}{I_{IN(N)}} = \frac{V_{IN(N)}}{\frac{V_{IN(N)} - V_N}{R_1}} = \frac{R_1}{1 - \frac{V_N}{V_{IN(N)}}} \quad (6)$$

Since you know the voltage at the inverting input (V_N) will be equal to the voltage at the noninverting input (V_P), you can replace V_N in Equation 6 with Equation 4 to get Equation 7:

$$R_{IN(N)} = \frac{R_1}{1 - \frac{V_P}{V_{IN(N)}}} = \frac{R_1}{1 - \frac{R_4}{R_3 + R_4} \frac{V_{IN(P)}}{V_{IN(N)}}} \quad (7)$$

Notice that the effective input resistance at the inverting input actually depends on the ratio of the two input voltages. To understand how this might affect your application, consider an example: the [INA134](#) used in an audio-line-receiver application where the voltages at the two inputs are equal in magnitude but opposite in polarity (Equation 8):

$$\frac{V_{IN(P)}}{V_{IN(N)}} = -1 \quad (8)$$

Referring back to Equation 2, the effective input resistance at the noninverting input is fairly straightforward:

$$R_{IN(P)} = R_3 + R_4 = 25k\Omega + 25k\Omega = 50k\Omega$$

However, the inverted relationship of the two input voltages has a drastic effect on the effective input resistance at the inverting input (Equation 9):

$$R_{IN(N)} = \frac{R_1}{1 - \frac{R_4}{R_3 + R_4} \frac{V_{IN(P)}}{V_{IN(N)}}} \rightarrow \frac{R_1}{1 + \frac{R_4}{R_3 + R_4}} = \frac{25k\Omega}{1 + \frac{25k\Omega}{25k\Omega + 25k\Omega}} = 16.67k\Omega$$

- The effective input resistance at the inverting input is one-third that of the noninverting input. Thus, you must consider the lower impedance of the inverting input when choosing input coupling capacitors or filter circuits. Furthermore, any amplifier driving the difference amplifier inputs must be capable of driving the lower impedance at the inverting input.

With simple circuits, it's often the most basic aspects of their operation that cause headaches in the lab. Don't overlook the obvious!

Additional resources

- Check out our broad [Audio portfolio](#)
- Learn more about INA134 [audio differential line receiver](#)
- See TI's Complete Portfolio of [difference amplifiers](#)

6 comments 0 members are here

 Top Comments



[tim hughes](#) *over 5 years ago* +2

John, the incremental impedance $\Delta V / \Delta I$ when looking into the positive input is $R_3 + R_4$ the same as y



[John Caldwell](#) *over 9 years ago* +1

Hi Ken,

Thanks for bringing this to our attention. To me, the INA133 datasheet is correct and the INA134 datasheet r



[tim hughes](#) *over 5 years ago*

John, the incremental impedance $\Delta V / \Delta I$ when looking into the positive input is $R_3 + R_4$ the same as you state, but the corresponding incremental impedance is just R_1 when looking into the diff amplifier's negative input because the $R_1 - R_2$ node is at virtual earth. Direct DC V/I values rather than impedance = $\Delta V / \Delta I$ is what you are discussing above.

For example, the case you indirectly mention where you want to make an AC coupled differential amp and you need to know the impedance when putting Capacitors in series with the inputs you need to use the above mentioned incremental impedances and make the time constants $R_1 C_1 = (R_2 + R_3) C_2$ to achieve reasonable common mode rejection through balanced input time constants. (C_1 is in series with R_1 , C_2 in series with R_3).

(In practice because you cant match capacitors much better than about 1%, CMRR at low frequencies wont be better than 40dB if you are lucky.)

For a concrete example for the case of all equal resistors R_1 to R_4 then C_1 must be twice as large as C_2 and the -3dB cutoff will be $1/2 * \pi * R_1 * C_1$ (or equivalently = $1/2 * \pi * C_2 * (R_3 + R_4)$).



[Alex Scott](#) *over 3 years ago in reply to tim hughes*

I definitely agree to Direct DC V/I values rather than impedance = $\Delta V / \Delta I$. I mean the input resistance resulting from [brick masonry](#), both the internal resistor values and the op amp's operation.



[John Caldwell](#) *over 9 years ago*

Hi Ken,

Thanks for bringing this to our attention. To me, the INA133 datasheet is correct and the INA134 datasheet may need to be updated. We can calculate the common-mode input impedance pretty quickly using the equations in the above post. First, if we have a common-mode voltage source the input impedance it "sees" looking into the INA134 is $R_{IN(N)}$ in parallel with $R_{IN(P)}$ (You can imagine tying the two inputs together and then applying a voltage source to them). As usual $R_{IN(P)}$ is $25k + 25k = 50k$. $R_{IN(N)}$ in this case is a bit different, since $V_{IN(P)} = V_{IN(N)}$, then $V_{IN(P)} / V_{IN(N)} = 1$, and equation 7 simplifies to $R_{IN(N)} = R1 / 0.5 = 50k$. Since $R_{IN(P)}$ is in parallel with $R_{IN(N)}$ for common mode voltages, $50k \parallel 50k = 25k$. The differential input impedance can be done "by inspection" by remembering that there is a "virtual short" between the two op amp inputs, and therefore $R1$ and $R3$ are in series for differential input voltages, $25k + 25k = 50k$.



[Haroldo Amaral](#) *over 9 years ago*

Hi, Excellent post.

The same analysis can be used with other configurations.



[Ken Dillinger](#) *over 9 years ago*

Because I like being "that guy", there seems to be a problem with the INA134 datasheet.

The INA133 datasheet which has the same value of resistors for the network (25kohm), but states the the common-mode input resistance as 25kohm and the differential input resistance as 50kohm.

The only clue is that for the INA133 the common-mode voltage is specified at $V_{CM}=0$. So, I presume, that means the input resistance is simply the resistor on the inverting node. If driven from a transformer or other floating source the differential impedance of 50kohm makes sense.

The INA134 has 25kohm resistors for the network and the datasheet specifies 50kohm for both common-mode and differential input resistances.

I always presume people are smarter than me or I missed a subtle clue, but this looks inconsistent.

-Ken



[Steve O'Connor](#) *over 3 years ago*

Hi, I like this post, however doesn't Equation 7 mean that $R_{in(N)}$ could be negative.