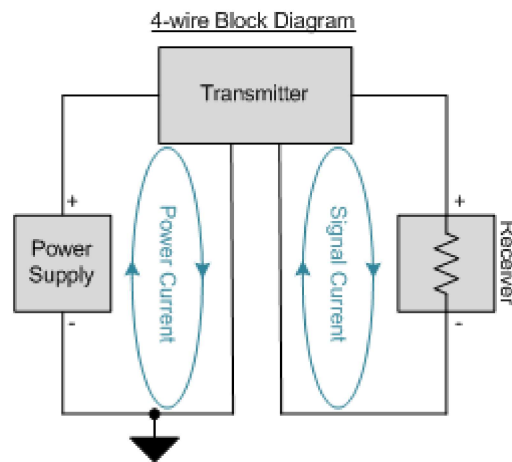




Collin Wells Jul 17, 2015

The publication *Planet Analog* picked up one of my blog posts for publication to their readers. I invite you to go to their site for the [full post](#).

To complement the [2-wire](#) and [3-wire](#) sensor transmitter blogs that Kevin Duke and I have already published on [Precision Hub](#), my next few blog topics will be on 4-wire sensor transmitters. The blogs will explain 4-wire transmitter basics, the circuit structure of 4-wire output stages, and provide examples of each isolation scheme available with 4-wire transmitters.



To continue reading this post, check it out on [Planet Analog](#)!



0 comments 0 members are here