

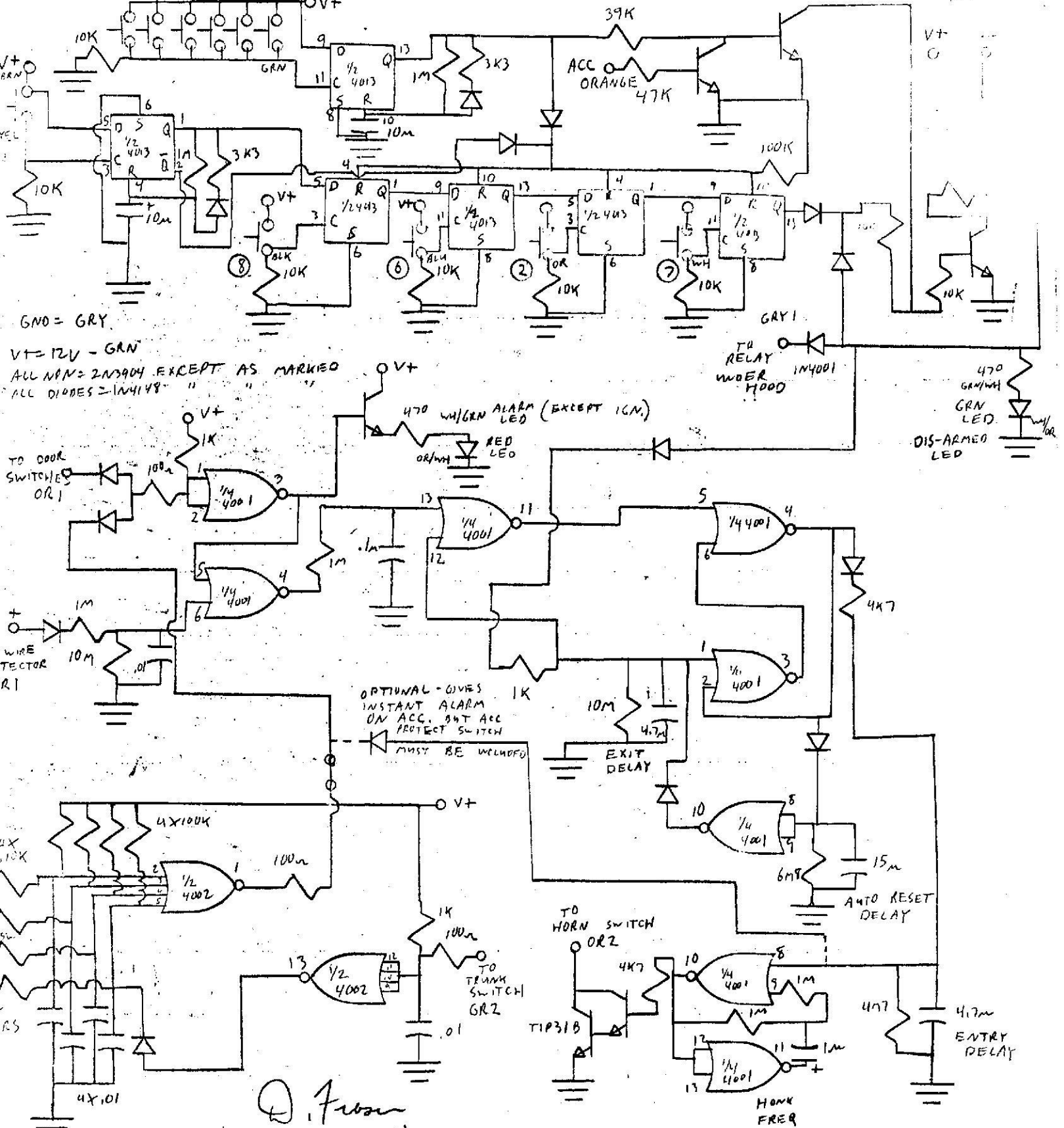
Alarm installed on TC-3 Plymouth CIRCA 1981



PENALTY + ARM SWITCHES

FRASER ELECTRONICS

P.O. BOX 778 - EDMONTON, ALBERTA T5J 2L4 - (403) 454-5412



GND = GRN

V+ = 12V - GRN

ALL NPN = 2N3904 EXCEPT AS MARKED
ALL DIODES = 1N4148

OPTIONAL - GIVES INSTANT ALARM ON ACC. BUT ACC PROTECT SWITCH MUST BE WELDED

D. Fraser