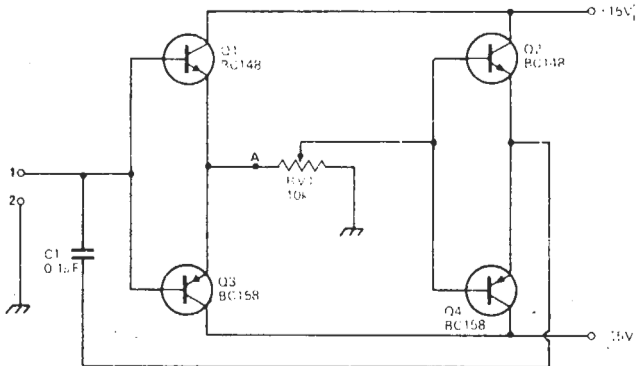


ELECTRONIC CAPACITOR



The value of capacitance existing between points 1 and 2 may be varied over a 1000 to 1 range by RV1.

The lower value of capacitance is due to C1, the transistor stages effectively multiply this capacitance, thus the total capacitance available from the circuit, as given, is $100\mu\text{F}$.

It is possible to replace RV1 by a NTC or PTC resistor and thus the value of capacitance will depend on ambient temperature.